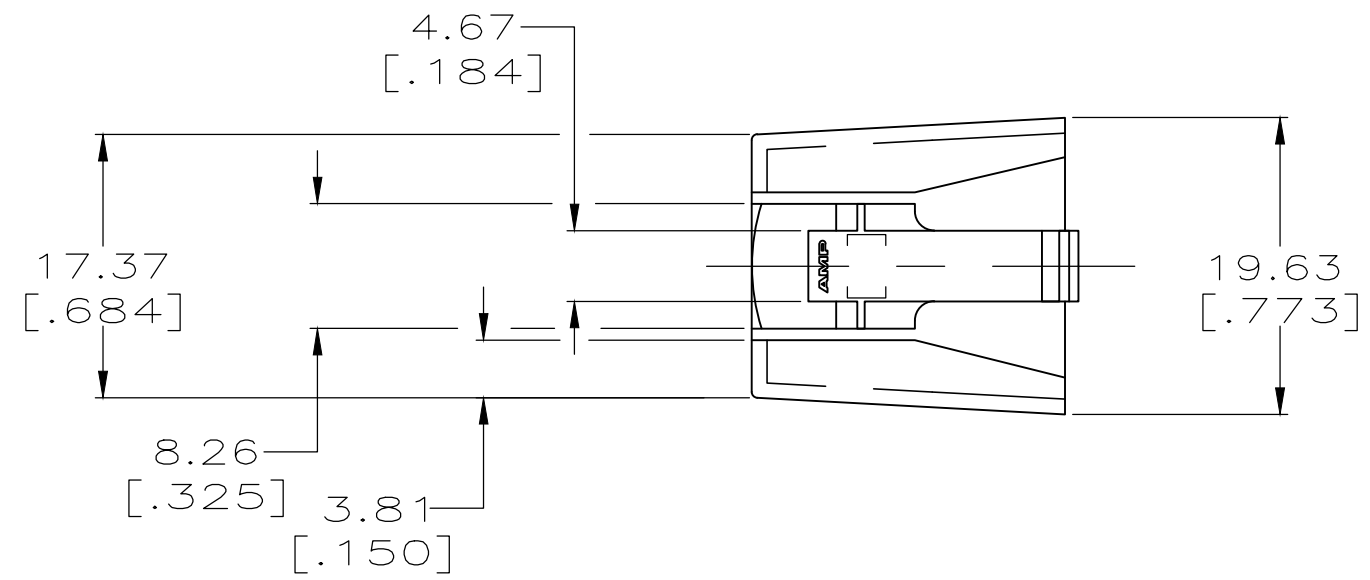
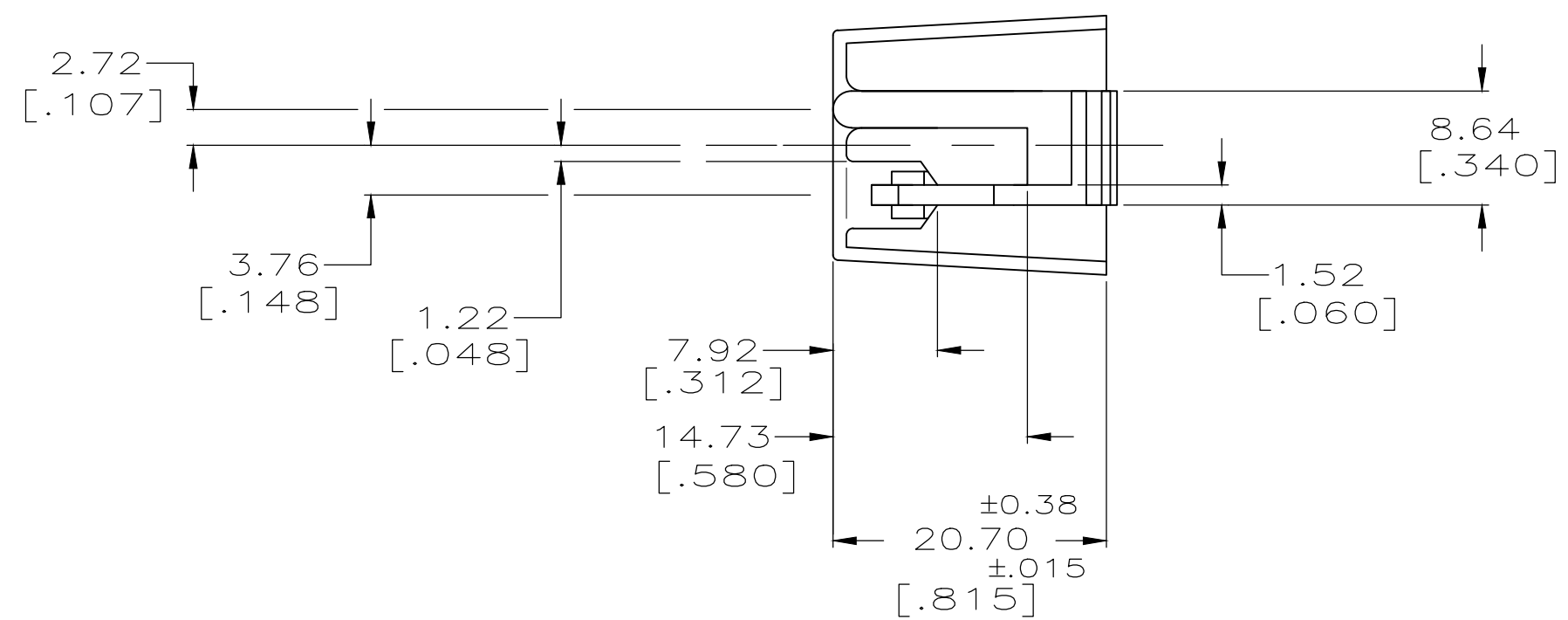
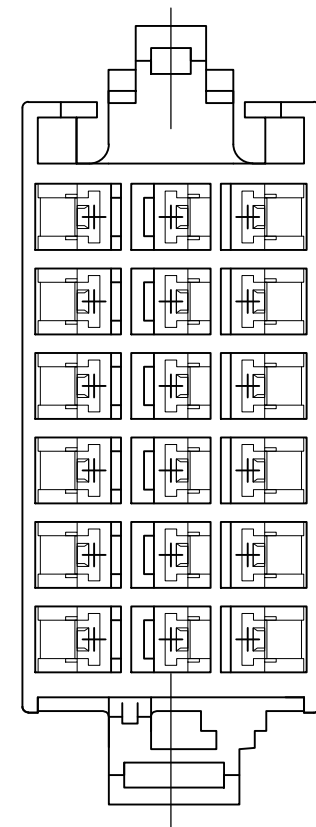
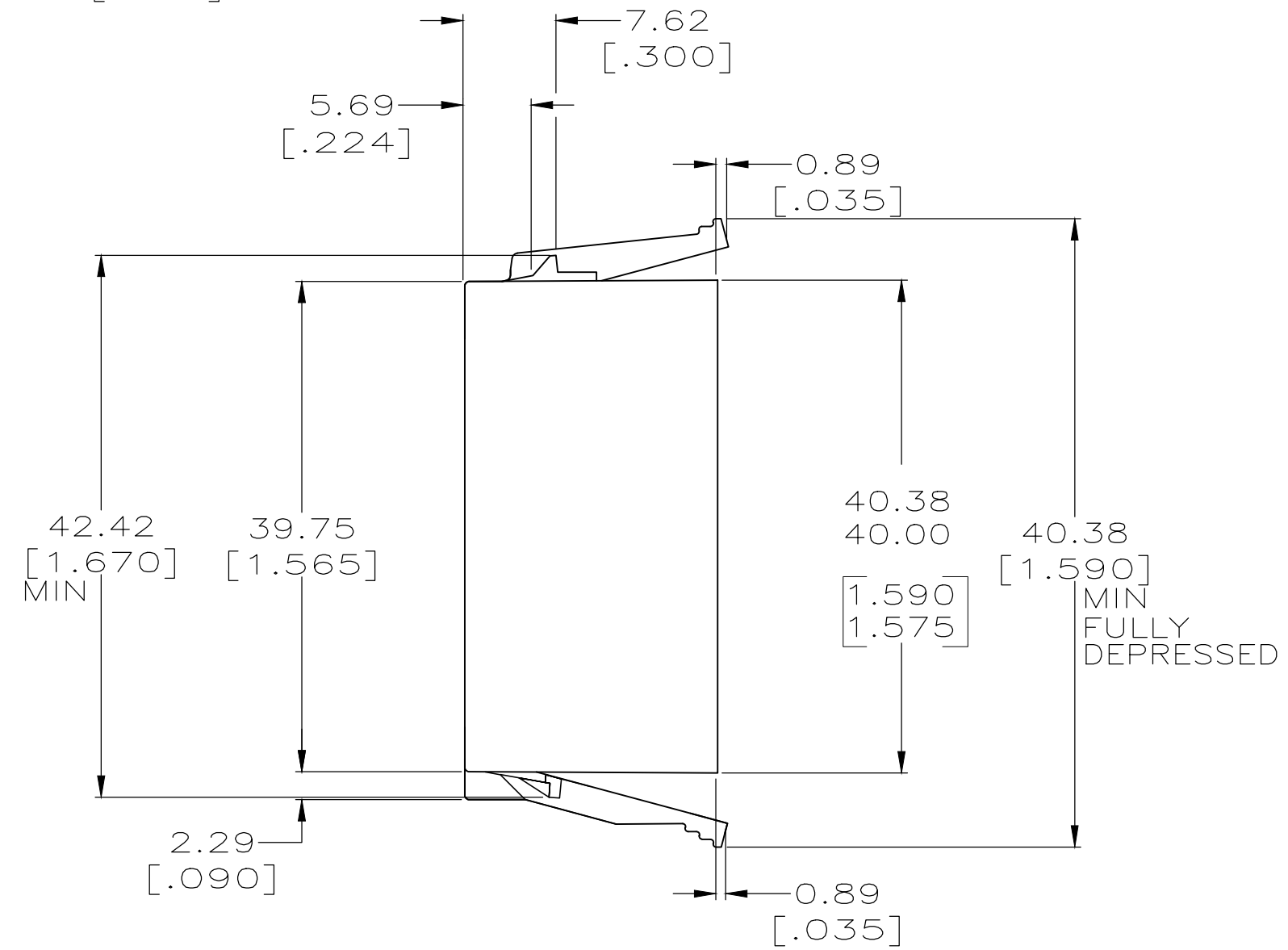
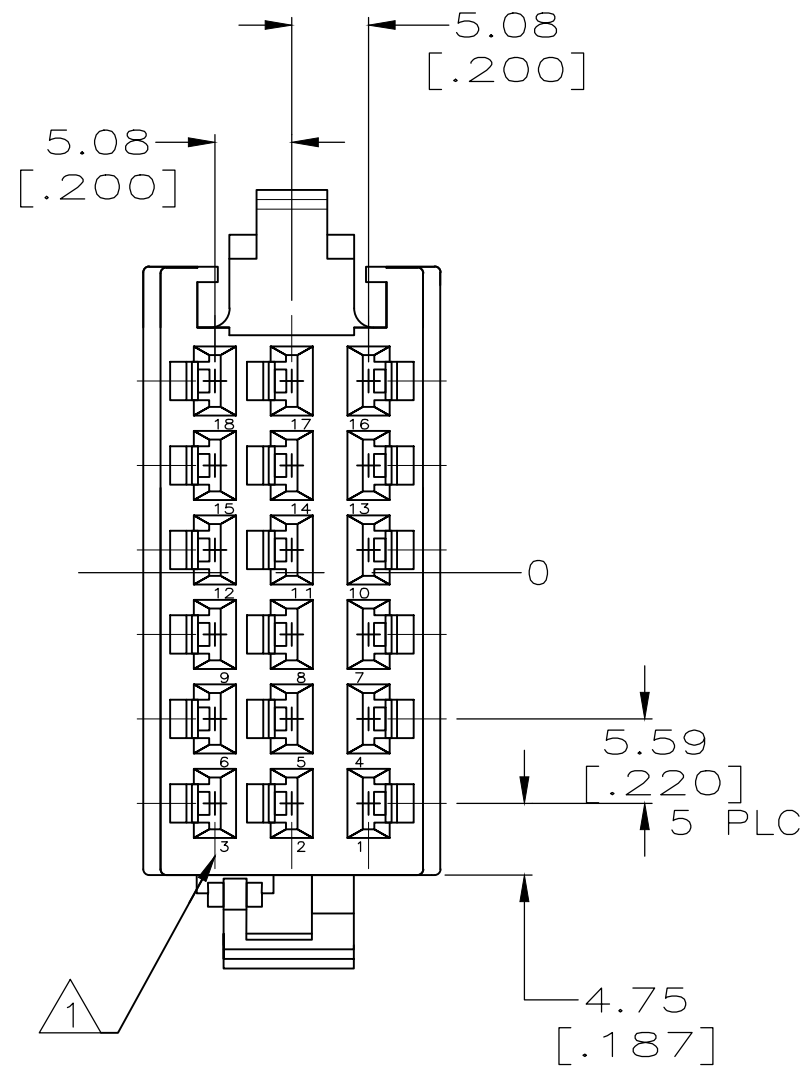


THIS DRAWING IS UNPUBLISHED. RELEASED FOR PUBLICATION  
 © COPYRIGHT - TE Connectivity Ltd. ALL RIGHTS RESERVED.

REVISIONS					
P	LTR	DESCRIPTION	DATE	DWN	APVD
U2		REVISED PER ECR-18-008168	09JUL18	MD	TD



- 1 CIRCUIT IDENTIFICATION.
- 2 MATERIAL: 6/6 NYLON, COLOR NATURAL
- 3 MATERIAL: 6/66 NYLON, COLOR WHITE



OBSOLETE	3 770200-2
	2 770200-1
PART NUMBER	

THIS DRAWING IS A CONTROLLED DOCUMENT.		DWN M.S. FEHER 10NOV2000	<b>TE</b> TE Connectivity Ltd.			
DIMENSIONS: mm [INCHES]		CHK J.R. RUTH 10NOV2000				
TOLERANCES UNLESS OTHERWISE SPECIFIED:		APVD DON DECKER 10NOV2000	HOUSING, LEFT HAND, 18 CIRCUIT, TIMER CONNECTOR			
0 PLC ± -		PRODUCT SPEC				
1 PLC ± -		APPLICATION SPEC	SIZE A2	CAGE CODE 00779	DRAWING NO C=770200	RESTRICTED TO
2 PLC ± 0.25 [.010]		WEIGHT 0,000000	SCALE 2:1	SHEET 1 of 1	REV U2	
3 PLC ± -		CUSTOMER DRAWING				
4 PLC ± -						
ANGLES ± -						
FINISH SEE NOTES						