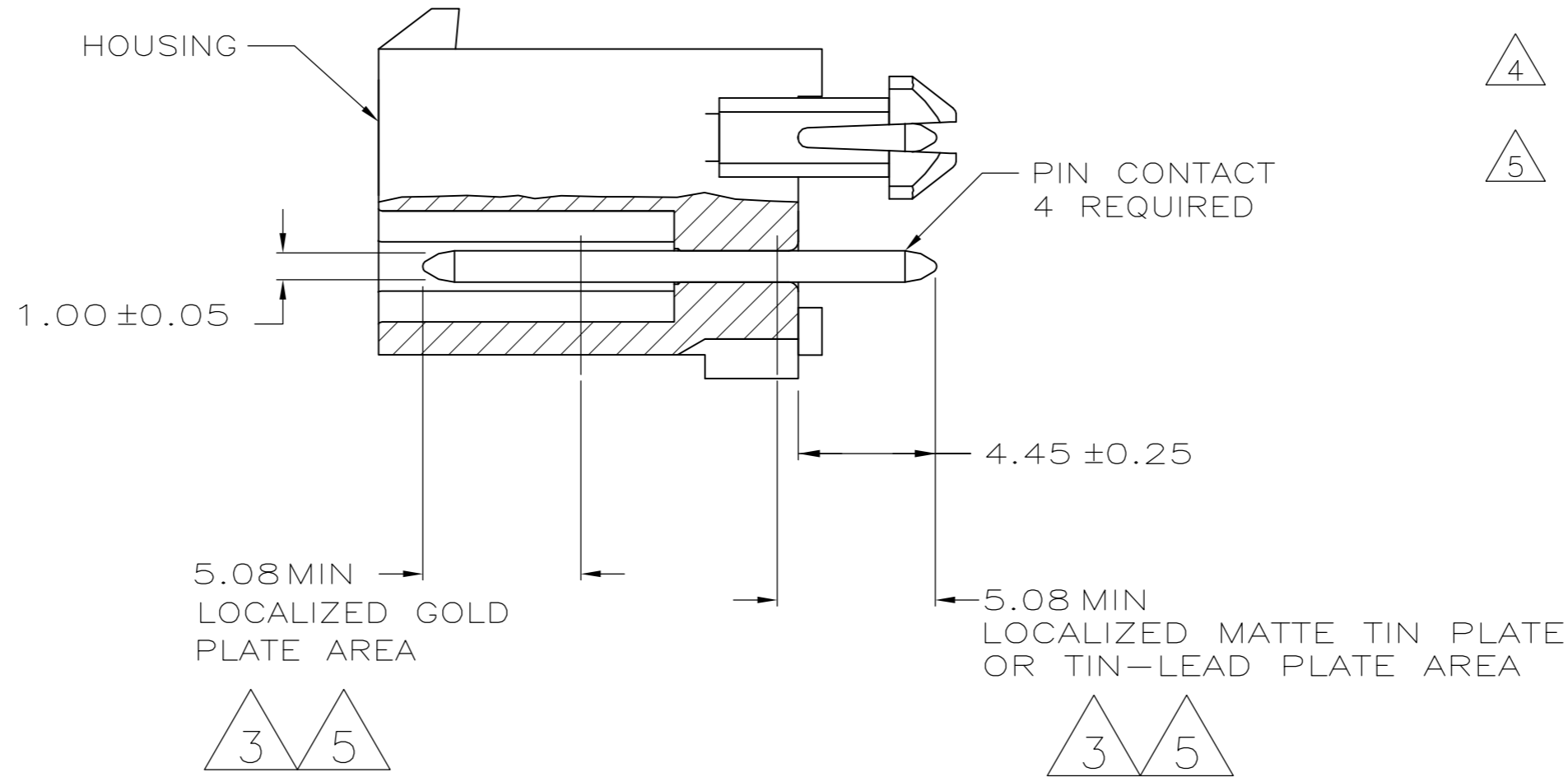
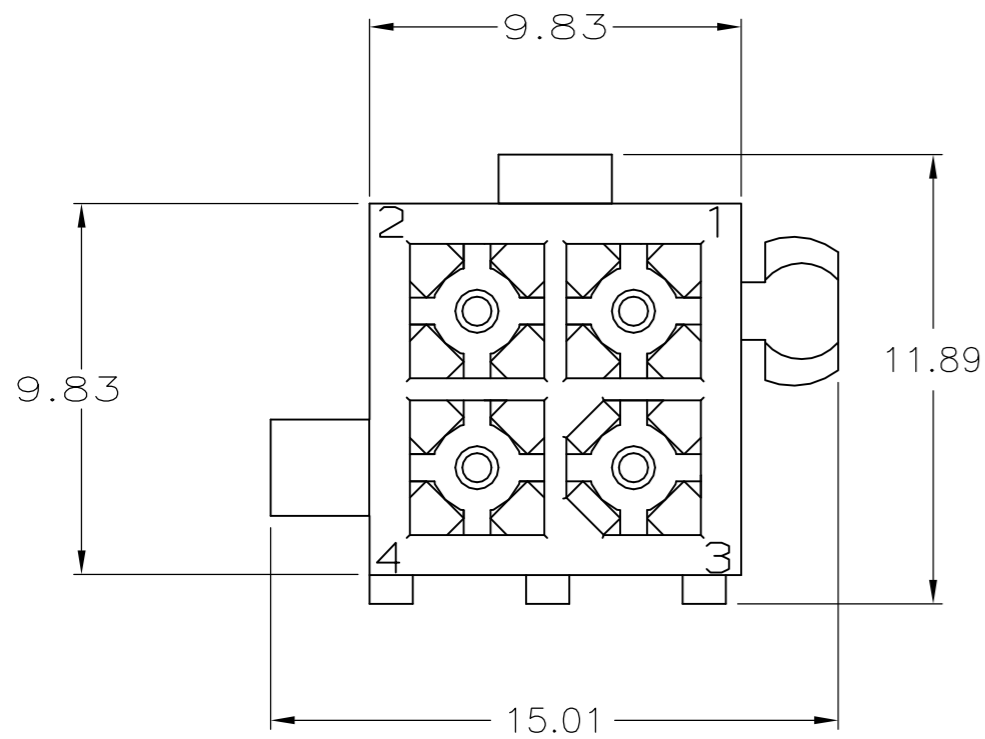
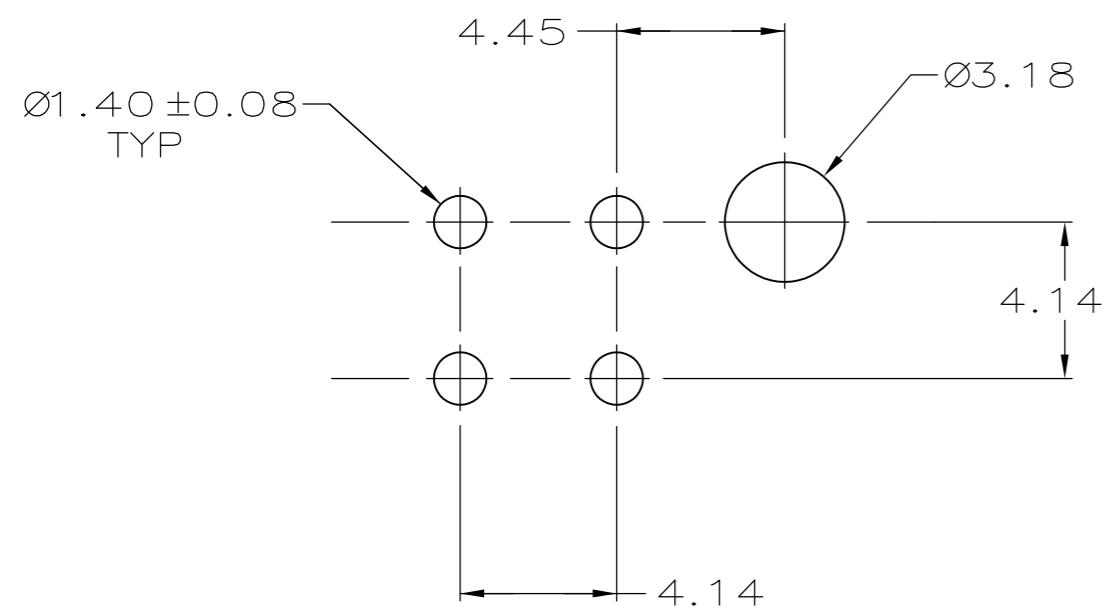


THIS DRAWING IS UNPUBLISHED. RELEASED FOR PUBLICATION
 © COPYRIGHT - By - ALL RIGHTS RESERVED.

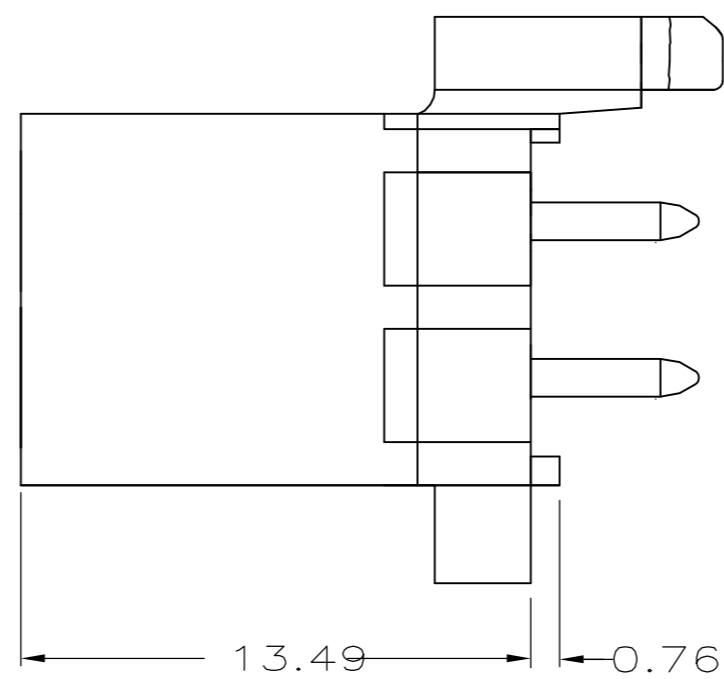
LOC		DIST		REVISIONS			
P	LTR	DESCRIPTION		DATE	DWN	APVD	
CM	0	M		REVISED PER ECR-15-010337	22JUL2015	RK	SC



- 1 PINS TO COMPLY WITH AMP SOLDERABILITY SPEC. 109-11-3.
- △2 0.00381 MIN MATTE TIN LEAD PLATE OVER 0.00127 MIN NICKEL.
- △3 0.00076 MIN GOLD PLATE IN THE LOCALIZED PLATE AREA, 0.00381 MATTE TIN LEAD IN THE LOCALIZED PLATE AREA, BOTH OVER 0.00127 MIN NICKEL.
- △4 0.00381 MIN MATTE TIN PLATE OVER 0.00127 MIN NICKEL.
- △5 0.00076 MIN GOLD PLATE IN THE LOCALIZED PLATE AREA, 0.00381 MATTE TIN IN THE LOCALIZED PLATE AREA, BOTH OVER 0.00127 MIN NICKEL.



RECOMMENDED LAYOUT FOR 1.57 THICK BOARD
 TOLERANCES NON-ACCUMULATIVE



BRASS, TIN	△4	NYLON, UL94V-0	BLACK	5-770174-0
BRASS, GOLD	△5	NYLON, UL94V-0	WHITE	1-770174-1
BRASS, TIN	△4	NYLON, UL94V-0	WHITE	1-770174-0
BRASS, GOLD	△3	NYLON, UL94V-0	WHITE	770174-2
BRASS, TIN-LEAD	△2	NYLON, UL94V-0	WHITE	770174-1
MATERIAL	FINISH	MATERIAL	COLOR	PART NO.
PIN		HOUSING		

THIS DRAWING IS A CONTROLLED DOCUMENT.		DWN	08JUN05		
DIMENSIONS: mm		CHK	28/JUL2003		
TOLERANCES UNLESS OTHERWISE SPECIFIED:		APVD	28/JUL2003		
0 PLC ± - 1 PLC ± - 2 PLC ± 0.13 3 PLC ± - 4 PLC ± - ANGLES ± -		PRODUCT SPEC	NAME		
MATERIAL		WEIGHT		HEADER ASSEMBLY, 4 CKT, MINI UNIVERSAL MATE-N-LOK	
FINISH		CUSTOMER DRAWING		SIZE	RESTRICTED TO
				A2	
				CAGE CODE	
				00779	
				DRAWING NO	
				C=770174	
				SCALE	
				5:1	
				SHEET	
				1 OF 1	
				REV	
				M	