

THIS DRAWING IS UNPUBLISHED. RELEASED FOR PUBLICATION
 © COPYRIGHT BY TYCO ELECTRONICS CORPORATION. ALL RIGHTS RESERVED.

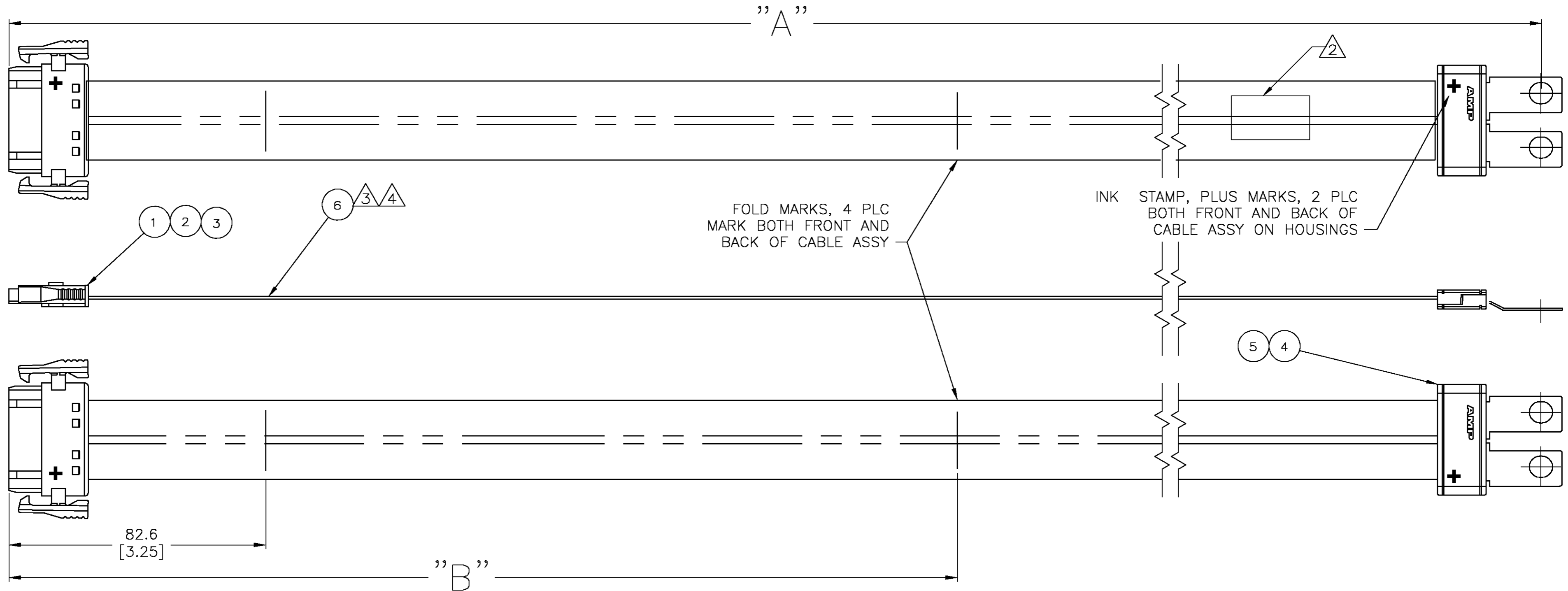
LOC		DIST		REVISIONS			
P	LTR	DESCRIPTION	DATE	DWN	APVD		
GP	00	0	NEW RELEASE	25/JAN/05	ECC	JPS	

AMPOWER is a registered trademark of AMP Incorporated.

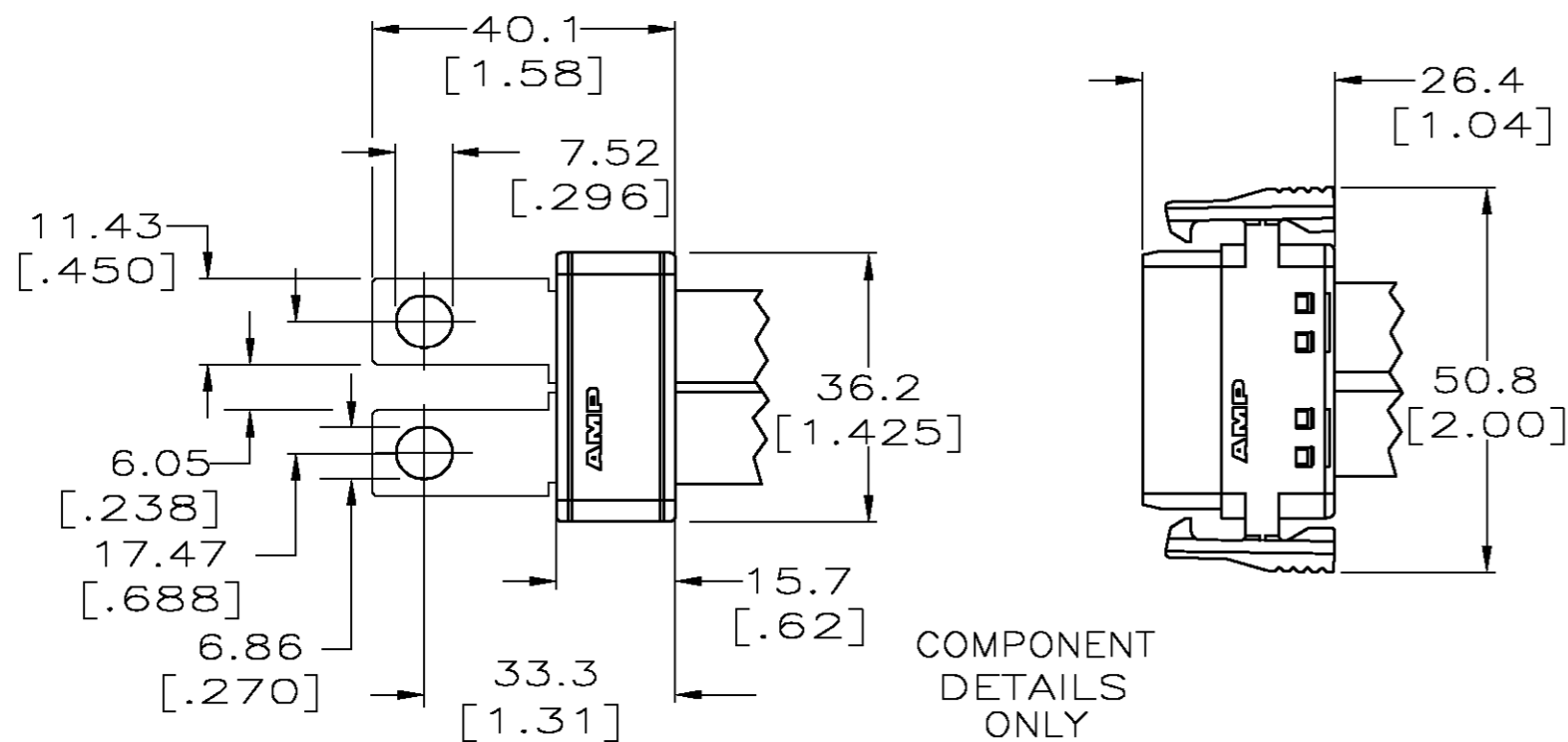
- CABLE LENGTH TOLERANCE ON 0-150 INCH LONG CABLES =
 +0.2% -0% OF TOTAL CABLE LENGTH WITH A MINIMUM
 TOLERANCE OF +6.4 [.25] -0 [0].
 + 1% -0% OF TOTAL CABLE LENGTH.

- ③ CABLE CUT LENGTH FOR -1 = 26.52 INCHES
- ④ CABLE CUT LENGTH FOR -2 = 10.79 INCHES

- ② CABLE LENGTH TOLERANCE ON CABLES OVER 150 INCHES LONG =
 LABEL APPROX. WHERE SHOWN : TO INCLUDE TYCO P/N, REV LEVEL,
 DATE CODE AND CUSTOMER PART NUMBER, AS A MINIMUM.



CUSTOMER PART NUMBER	CABLE ASSEMBLY "B" LENGTH	CABLE ASSEMBLY "A" LENGTH	STYLE	CONDUCTOR THICKNESS	TYCO PART NO.
3828 7751-001	228.6 [9.00]	304.8 [12.00]	SPLIT	0.25 [.010]	④ 766637-2
3828 7751-000	355.6 [14.00]	704.4 [27.73]	SPLIT	0.25 [.010]	③ 766637-1



QTY	UNIT	MATERIAL	DESCRIPTION	ITEM
1	1	PC	LABEL, HW-478175-5-9	7
0.899	2.21	FT	CABLE, .010 SPLIT, TEFZ, BLU	6
2	2	PC	COVER, TERMINAL BLOCK	5
1	1	PC	TERM ASSY, TERM BLK, 11/16	4
1	1	PC	SEP TERMINATION ASSY	3
1	1	PC	STRAIN RELIEF, FULL	2
1	1	PC	HOUSING, PLUG	1
-2	-1	U/M	PART NO.	DESCRIPTION

THIS DRAWING IS A CONTROLLED DOCUMENT

DWN E.C. CLAYBAUGH 25/JAN/05	Tyco Electronics Corporation Harrisburg, Pa 17105-3608
CHK J. SCHOLZ 25/JAN/05	
APVD J. SCHOLZ 25/JAN/05	NAME AMPOWER* WAVE CRIMP SYSTEM CABLE ASSEMBLY
PRODUCT SPEC	
APPLICATION SPEC	
MATERIAL	WEIGHT
FINISH	SCALE
CUSTOMER DRAWING	

SIZE: A2 CAGE CODE: 00779 DRAWING NO: C=766637 RESTRICTED TO: -

SCALE: N.T.S. SHEET 1 OF 1 REV 0