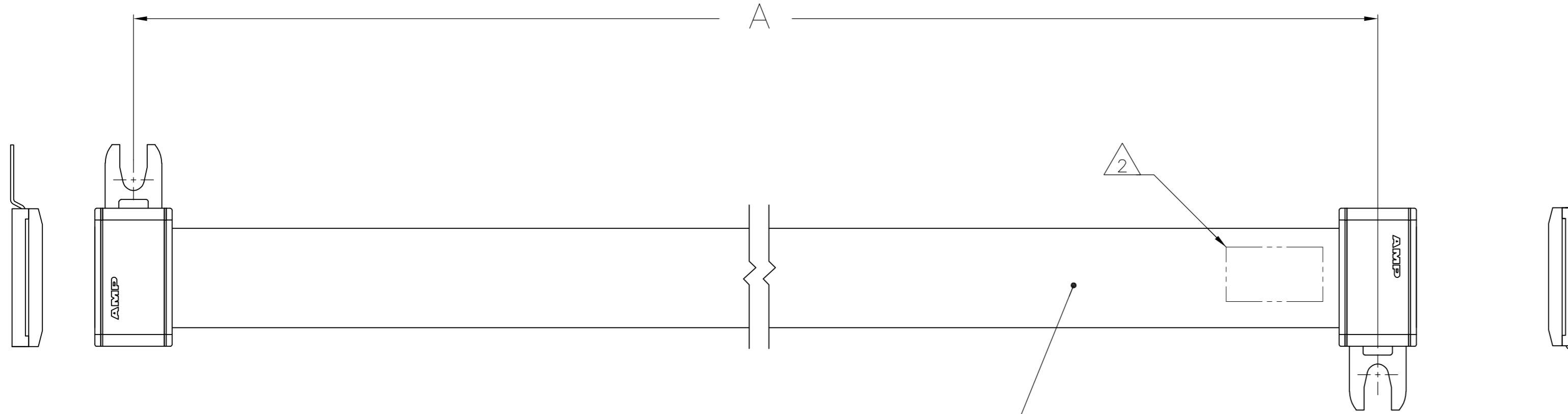


THIS DRAWING IS UNPUBLISHED. RELEASED FOR PUBLICATION
 © COPYRIGHT - H ALL RIGHTS RESERVED.

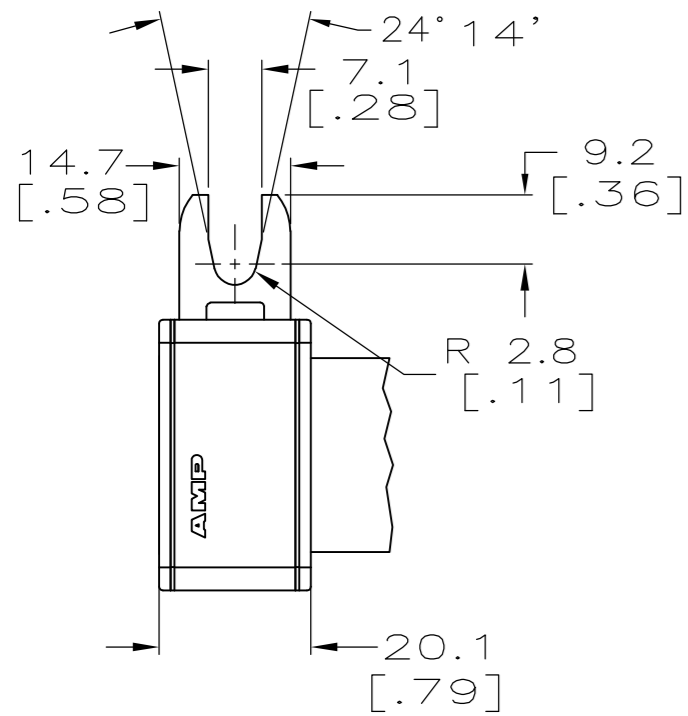
LOC		DIST		REVISIONS			
P	LTR	DESCRIPTION		DATE	DWN	APVD	
ES	00	J1		ADDED THE NEW DASH NUMBER -12	27MAY14	ML	SZ

*AMPOWER is a trademark

- 1 CABLE LENGTH TOLERANCE ON 0-150 INCH LONG CABLES = +0.2% -0% OF TOTAL CABLE LENGTH WITH A MINIMUM TOLERANCE OF +6.4 [.25] 0 [0]. CABLE LENGTH TOLERANCE ON CABLES OVER 150 INCHES LONG = + 1% -0% OF TOTAL CABLE LENGTH.
- 2 LABEL APPROXIMATELY WHERE SHOWN.
- 3 BECAUSE OF SHIPPING CONSTRAINTS, REFOLDING/SHAPING OF CABLE ASSEMBLIES MAY BE REQUIRED BY CUSTOMER BEFORE INSTALLATION.
- 4 PRODUCT AND PROCESSING MUST MEET REQUIREMENTS OF TYCO ELECTRONICS STANDARD 230-702.
- 5 OBSOLETE PARTS: OBSOLETE CIS STREAMLINING PER D.RENAUD/D.SINISI



2 - 0.50[.020] THK SINGLE CONDUCTOR CABLES



COMPONENT
DETAIL
ONLY

	1727.2 [68.0]	SOLID	0.50 [.020]	1-766109-2
	1244.6 [49.0]	SOLID	0.50 [.020]	1-766109-1
	1778.0 [70.0]	SOLID	0.50 [.020]	1-766109-0
	2108.2 [83.0]	SOLID	0.50 [.020]	766109-9
OBSOLETE 5	1136.65 [44.75]	SOLID	0.50 [.020]	766109-8
	1384.30 [54.50]	SOLID	0.50 [.020]	766109-7
	1714.50 [67.50]	SOLID	0.50 [.020]	766109-6
	2051.05 [80.75]	SOLID	0.50 [.020]	766109-5
	755.7 [29.75]	SOLID	0.50 [.020]	766109-4
OBSOLETE 5	1574.8 [62.00]	SOLID	0.50 [.020]	766109-3
	1765.3 [69.50]	SOLID	0.50 [.020]	766109-2
	2032 [80.00]	SOLID	0.50 [.020]	766109-1
	CABLE ASSY REF LENGTH A	STYLE	CONDUCTOR THICKNESS	PART NUMBER

THIS DRAWING IS A CONTROLLED DOCUMENT.		DWN	09-22-95	STE TE Connectivity	
DIMENSIONS: mm [INCHES]		CHK	09-22-95		
TOLERANCES UNLESS OTHERWISE SPECIFIED:		D.E. PETRIE		NAME	
0 PLC ± -	1 PLC ± 0.5 [.02]	J.E. LUCIUS		CABLE ASSEMBLY, WAVE CRIMP	
2 PLC ± 0.25 [.010]	3 PLC ± -	APVD		-	
4 PLC ± -	ANGLES ± -	PRODUCT SPEC		-	
MATERIAL	FINISH	APPLICATION SPEC		SIZE	RESTRICTED TO
-	-	114-49005		A2	-
		WEIGHT	-	CAGE CODE	DRAWING NO
		CUSTOMER DRAWING		00779	C=766109
				SCALE	SHEET
				FULL	1 OF 1
				REV	J1