

4

3

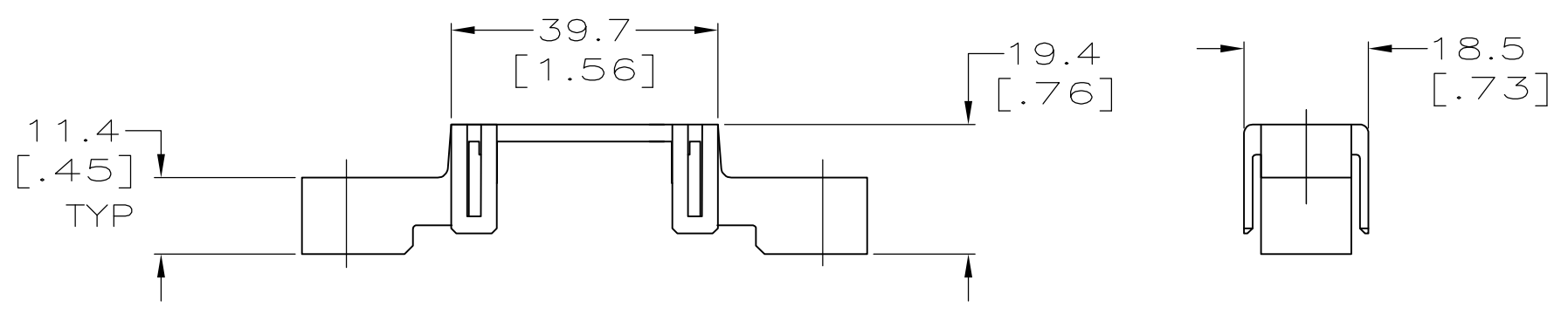
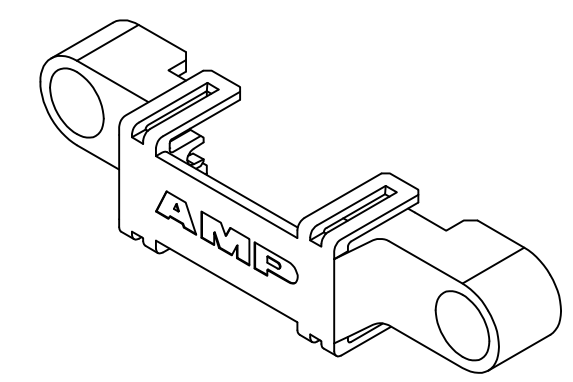
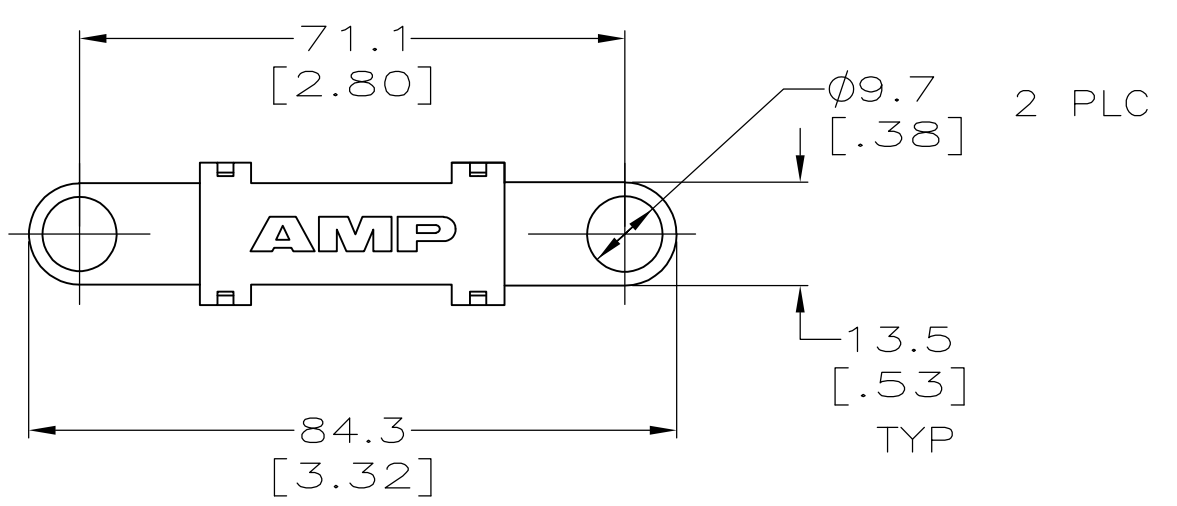
2

1

THIS DRAWING IS UNPUBLISHED. RELEASED FOR PUBLICATION  
 © COPYRIGHT - BY TYCO ELECTRONICS CORPORATION. ALL RIGHTS RESERVED.

LOC	DIST	REVISIONS			
P	LTR	DESCRIPTION	DATE	DWN	APVD
CH	1				
	C	REVISE PER 08-004947 ECO/RTS 100612	24/MAR/08	ECC	JS

AMPOWER Is a registered trademark of AMP Incorporated.



765530-1  
 Part Number

THIS DRAWING IS A CONTROLLED DOCUMENT.		DWN 09-15-92	D. PUERNER		Tyco Electronics Corporation Harrisburg, PA 17105-3608
DIMENSIONS: mm [INCHES]		CHK -	-		
TOLERANCES UNLESS OTHERWISE SPECIFIED:		APVD -	-		PRODUCT SPEC -
0 PLC ± - 1 PLC ± - 2 PLC ± 0.5 [.01] 3 PLC ± 0.25 [.005] 4 PLC ± - ANGLES ± -		108-1319		APPLICATION SPEC -	
MATERIAL GLASS FILLED NYLON, BLK		FINISH -		114-49005	
		WEIGHT -		SIZE A3	CAGE CODE 00779
		CUSTOMER DRAWING		DRAWING NO C-765530	RESTRICTED TO -
		SCALE FULL		SHEET 1 OF 1	REV C