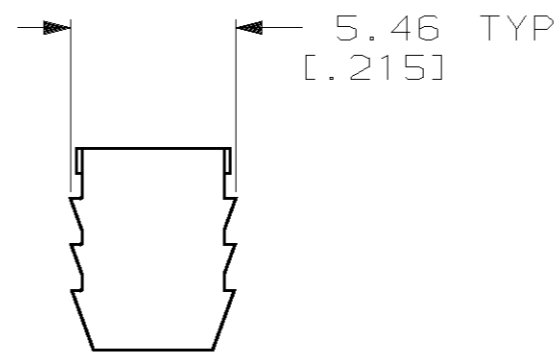
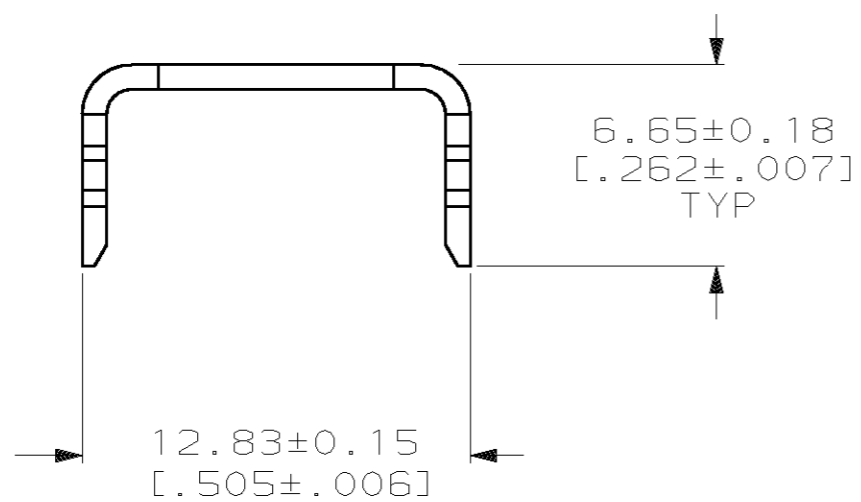
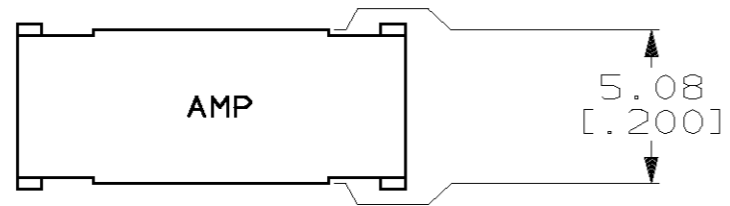


THIS DRAWING IS UNPUBLISHED. RELEASED FOR PUBLICATION, 19 .
 © COPYRIGHT 19 BY AMP INCORPORATED. ALL INTERNATIONAL RIGHTS RESERVED.

LOC GP	DIST 00	P	F	ZONE	LTR	REVISIONS	DATE	APPD
					A	REVISED PER EC 0513-0160-03	23MAY03	JG



- ① CARBON STEEL PER ASTM A 109.
- ② 1.27µm [0.000050] MIN BRIGHT TIN-LEAD OVER
1.27µm [0.000050] MIN NICKEL.
- ③ 1.27µm [0.000050] MIN BRIGHT TIN OVER
1.27µm [0.000050] MIN NICKEL.

③	749124-3
②	749124-2
FINISH	PART NO

DO NOT SCALE PRINT. UNLESS SPECIFIED DIMENSIONS IN mm [INCHES] TOLERANCES ON: 2 PLC DEC ± 0.13 [0.005] 3 PLC DEC ± - ANGLES ± -	DR 3-5-91 H MOLL	AMP Incorporated Harrisburg, PA 17105-3608	
	CHK -		NAME
	APPD -		STRAIN RELIEF, STAPLE, 42-70 POSN, .050 SERIES, AMPLIMITE™
	APPD -		SIZE CAGE CODE DRAWING NO
MATERIAL ①	PRODUCT SPEC -	B 00779 749124	
FINISH SEE TABLE	APPLICATION SPEC -	SCALE 4:1 SHEET 1 OF 1	
	WEIGHT -		