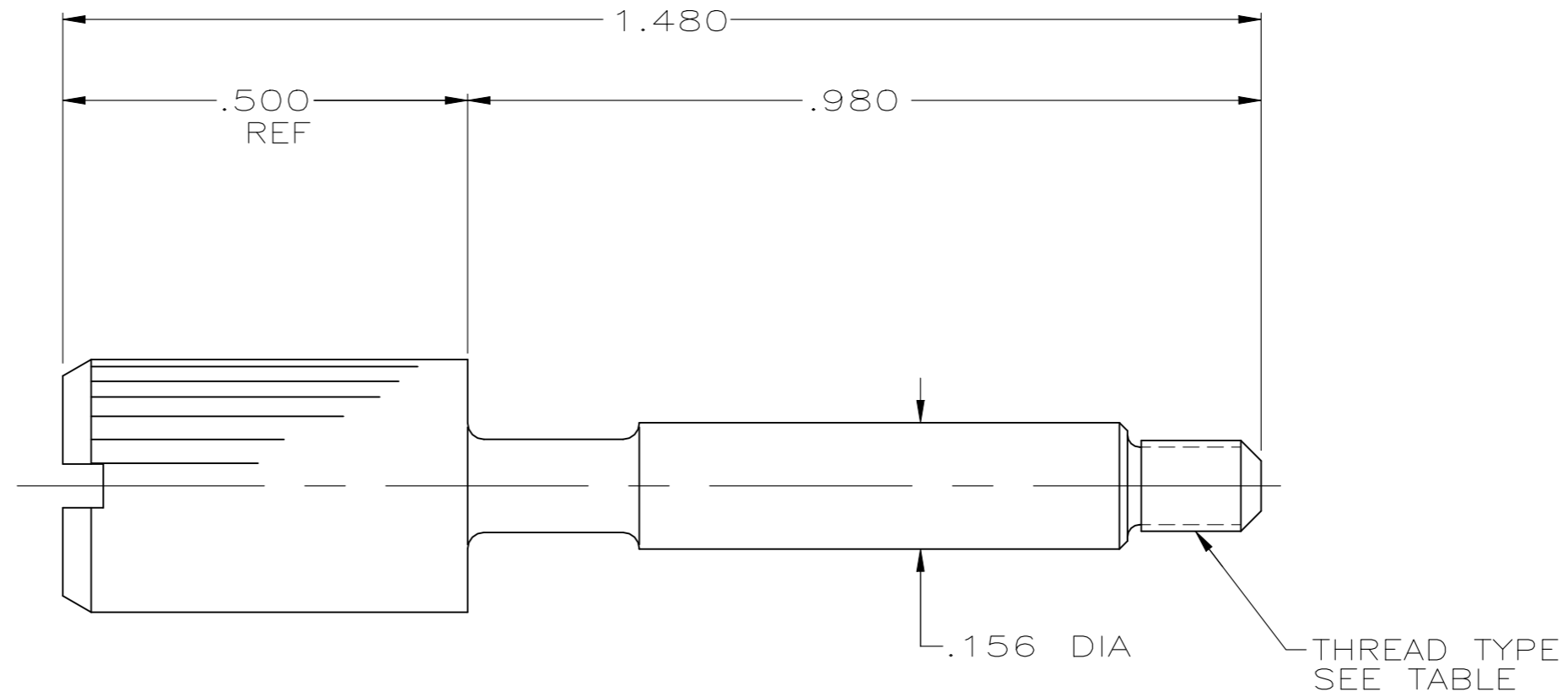
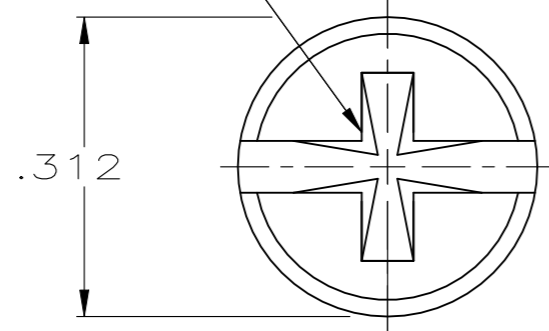


REVISIONS				
P	LTR	DESCRIPTION	DATE	APVD
R1		ECR-21-103102	10APR2021	RR SZ

#2 PHILIPS COMBO  
.071 MIN  
PENETRATION



- 1 C 1022 CARBON STEEL.
- 2 COAT WITH BLACK ZINC FLAKE, BLACK TOPCOAT TO ACHIEVE THE DEEP BLACK COLOR

OBSOLETE	M2.6 X 0.45	748627-8
OBSOLETE	M3 X 0.5	748627-4
	#4-40	748627-2
	THREAD TYPE	PART NUMBER

THIS DRAWING IS A CONTROLLED DOCUMENT.		DWN B. MCMASTER 26FEB04																		
DIMENSIONS: INCHES		CHK C. ROHDE 26FEB04																		
TOLERANCES UNLESS OTHERWISE SPECIFIED:		APVD M. WALMSLEY 26FEB04																		
<table border="1"> <tr><td>0 PLC</td><td>±</td><td>-</td></tr> <tr><td>1 PLC</td><td>±</td><td>-</td></tr> <tr><td>2 PLC</td><td>±</td><td>-</td></tr> <tr><td>3 PLC</td><td>±</td><td>.005</td></tr> <tr><td>4 PLC</td><td>±</td><td>-</td></tr> <tr><td>ANGLES</td><td>±</td><td>-</td></tr> </table>		0 PLC			±	-	1 PLC	±	-	2 PLC	±	-	3 PLC	±	.005	4 PLC	±	-	ANGLES	±
0 PLC	±	-																		
1 PLC	±	-																		
2 PLC	±	-																		
3 PLC	±	.005																		
4 PLC	±	-																		
ANGLES	±	-																		
MATERIAL 1	FINISH 2	APPLICATION SPEC -	NAME JACKSCREW, LARGE HEAD, SHIELDING ENCLOSURE, AMPLIMITE																	
		WEIGHT -	SIZE A2																	
CUSTOMER DRAWING		SCALE 5:1	CAGE CODE 00779																	
		DRAWING NO C=748627	RESTRICTED TO -																	
		SHEET 1 OF 1	REV R1																	