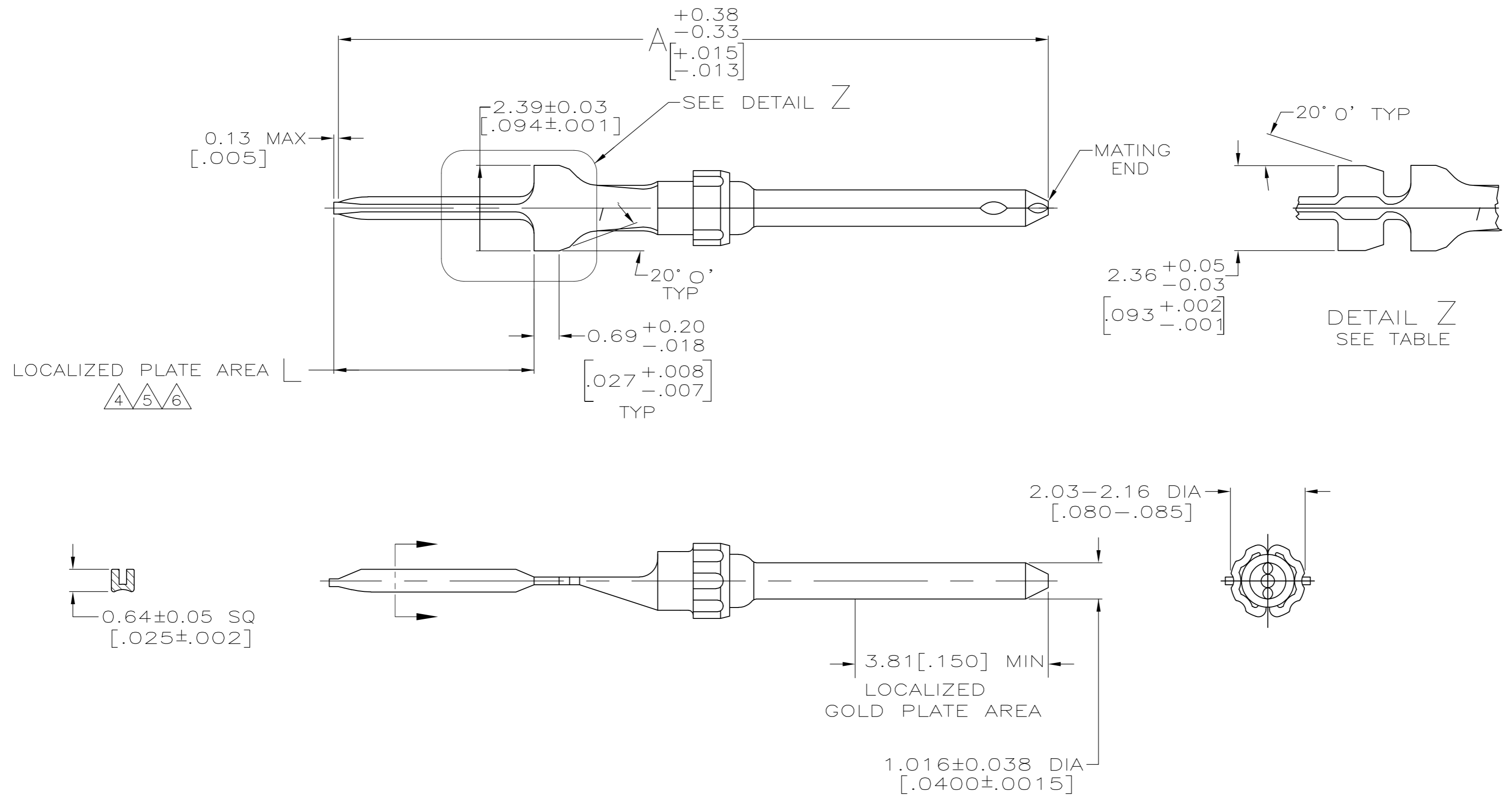


THIS DRAWING IS UNPUBLISHED. RELEASED FOR PUBLICATION  
 © COPYRIGHT - By - ALL RIGHTS RESERVED.

LOC		DIST		REVISIONS			
P	LTR	DESCRIPTION		DATE	DWN	APVD	
GP	00	L1	REVISED PER ECO-11-004835	11MAR11	RK	HMR	



- FOR MATING CONTACT SEE DRAWING 745288.
- TO BE USED FOR REPLACEMENT ONLY.
- GOLD PLATED FOR LENGTH OF  $3.81$  [ $.150$ ] MIN FROM MATING END, GOLD FLASH IN MATED AREA.  $2.54 \mu\text{m}$  [ $.000100$ ] MIN TIN-LEAD ON AREA L, ALL OVER  $1.27 \mu\text{m}$  [ $.000050$ ] MIN NICKEL.
- GOLD PLATED FOR LENGTH OF  $3.81$  [ $.150$ ] MIN FROM MATING END,  $0.76 \mu\text{m}$  [ $.000030$ ] MIN GOLD IN MATED AREA.  $2.54 \mu\text{m}$  [ $.000100$ ] MIN TIN-LEAD ON AREA L, ALL OVER  $1.27 \mu\text{m}$  [ $.000050$ ] MIN NICKEL.
- GOLD PLATED FOR LENGTH OF  $3.81$  [ $.150$ ] MIN FROM MATING END, GOLD FLASH IN MATED AREA AND AREA L, ALL OVER  $1.27 \mu\text{m}$  [ $.000050$ ] MIN NICKEL. GOLD PLATING ON EDGE CARRIER NOT REQUIRED.
- GOLD PLATED IN LOCALIZED GOLD PLATE AREA AS FOLLOWS:  
 $0.76 \mu\text{m}$  [ $.000030$ ] MIN GOLD IN MATED AREA  $2.54 \mu\text{m}$  [ $.000100$ ] MIN TIN ON AREA L, ALL OVER  $1.27 \mu\text{m}$  [ $.000050$ ] MIN NICKEL UNDERPLATE.  
 OR  
 GOLD FLASH OVER PALLADIUM-NICKEL PLATE,  $0.76 \mu\text{m}$  [ $.000030$ ] MIN TOTAL IN MATED AREA,  $2.54 \mu\text{m}$  [ $.000100$ ] MIN TIN ON AREA L, ALL OVER  $1.27 \mu\text{m}$  [ $.000050$ ] MIN NICKEL UNDERPLATE.

RETENTION	TINES	A	FINISH	PART NO	
AS SHOWN	21.67	[.853]	6	5-745287-4	
PER DETAIL Z	33.07	[1.302]	6	5-745287-0	
PER DETAIL Z	27.43	[1.080]	6	4-745287-7	
OBSOLETE	AS SHOWN	19.81	[.780]	5	4-745287-2
OBSOLETE	AS SHOWN	21.67	[.853]	4	2-745287-0
SUPERSEDED BY 2-745287-0					
OBSOLETE	AS SHOWN	21.67	[.853]	3	1-745287-8
OBSOLETE	PER DETAIL Z	33.07	[1.302]	4	1-745287-2
OBSOLETE	PER DETAIL Z	33.07	[1.302]	3	1-745287-0
OBSOLETE	PER DETAIL Z	27.43	[1.080]	4	745287-8
OBSOLETE	PER DETAIL Z	27.43	[1.080]	3	745287-6
OBSOLETE	AS SHOWN	19.81	[.780]	4	745287-4
OBSOLETE	AS SHOWN	19.81	[.780]	3	745287-2

THIS DRAWING IS A CONTROLLED DOCUMENT.

DWN	R.SHIREY	01/29/91
CHK	J.McCLINTON	2-6-91
APVD	-	-
PRODUCT SPEC	-	-
APPLICATION SPEC	-	-
MATERIAL	BRASS PER MIL-C-50	FINISH
SEE TABLE		WEIGHT
SEE TABLE		SCALE
SEE TABLE		SHEET
SEE TABLE		REV

TE Connectivity  
 PIN CONTACT, SIZE 20 DF, AMPLIMITE™

SIZE: A2 CAGE CODE: 00779 DRAWING NO: C-745287 RESTRICTED TO: -  
 SCALE: 10:1 SHEET: 1 OF 1 REV: L1