

4

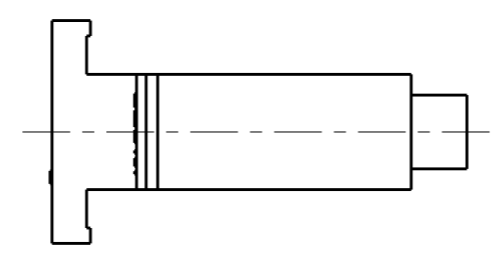
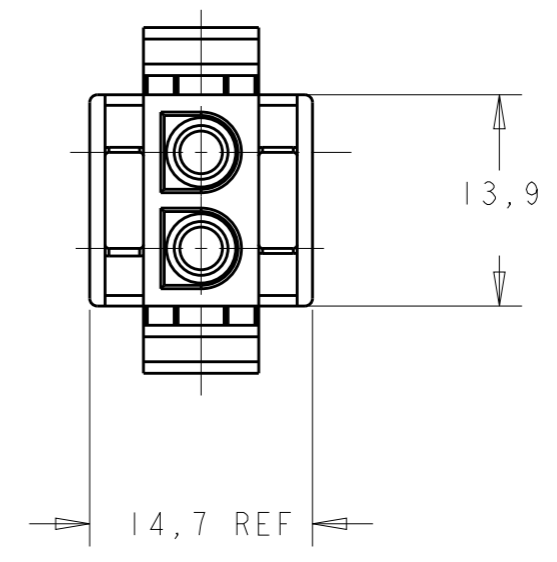
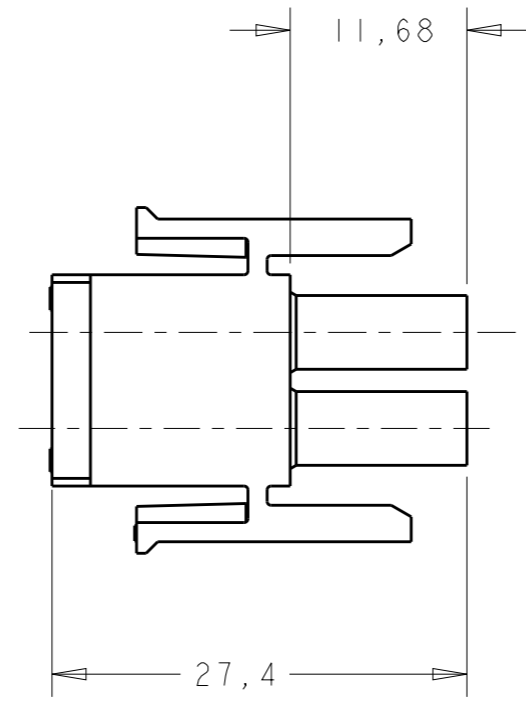
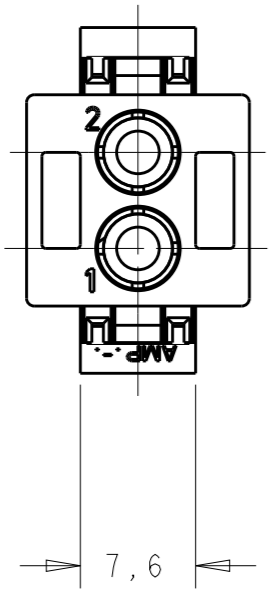
3

2

1

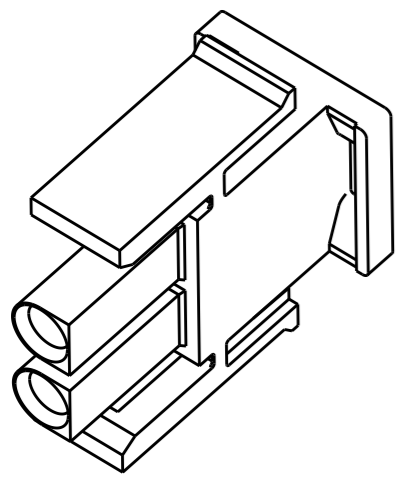
THIS DRAWING IS UNPUBLISHED. RELEASED FOR PUBLICATION 20  
 © COPYRIGHT 20 BY TYCO ELECTRONICS CORPORATION. ALL RIGHTS RESERVED.

LOC	DIST	REVISIONS			
P	LTR	DESCRIPTION	DATE	DWN	APVD
	B1	ECO-17-009556	03JUL2017	RS	SW



- 1 NYLON 6/6 AUTOEXTINGUIBLE UL94 V-0
- 2 COLOR : NEGRO

3. DIMENSIONS SHOWN REPRESENT PRODUCT IN DRY, AS MOLDED CONDITION. ADDITIONAL 2% GROWTH DUE TO SUBSEQUENT MOISTURE ABSORPTION MAY OCCUR AND SHOULD BE ACCOUNTED FOR



2	1	737649-1
ACABADO	MATERIAL	Nº de ORDEN

<small>THIS DRAWING IS A CONTROLLED DOCUMENT FOR TYCO ELECTRONICS CORPORATION IT IS SUBJECT TO CHANGE AND THE CONTROLLING ENGINEERING ORGANIZATION SHOULD BE CONTACTED FOR THE LATEST REVISION.</small>		DWN J. LAZARO 21/JUL/2007	Tyco Electronics AMP ESPAÑOLA S.A. BARCELONA / SPAIN
DIMENSIONS: mm		CHK J. SALO 21/JUL/2007	
		APVD J. SALO 21/JUL/2007	NAME UNIVERSAL MATE-N-LOK 2VIAS MACHO (AUTOEXTINGUIBLE)
TOLERANCES UNLESS OTHERWISE SPECIFIED: 0 PLC ± 1 PLC ± 2 PLC ±GENERAL 3 PLC ±TOLERANCE 4 PLC ±0,3 ANGLES ±1°		PRODUCT SPEC 108-2046	RESTRICTED TO
MATERIAL NYLON 6/6 FINISH -		APPLICATION SPEC 114-18011	SIZE A3
		WEIGHT -	CAGE CODE 00779
		CUSTOMER DRAWING	DRAWING NO G-737649
		SCALE 2:1	SHEET 1 OF 1
		REV B1	