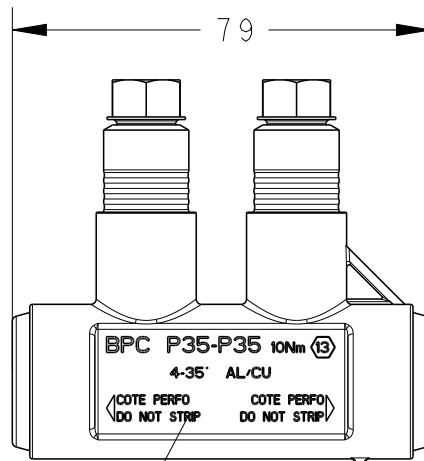
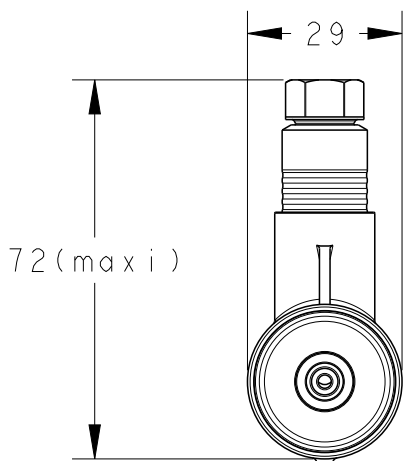
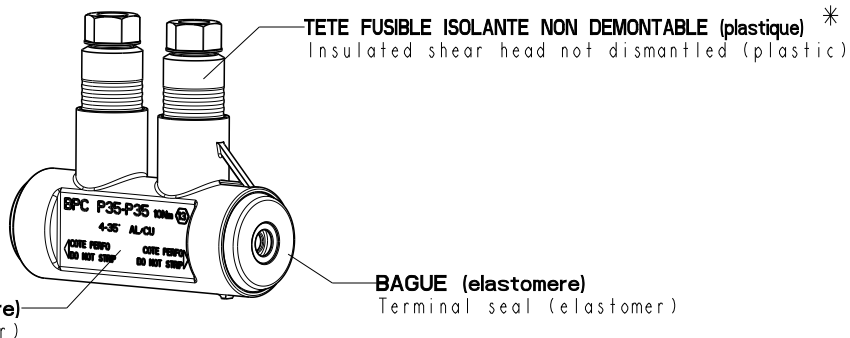


REVISIONS					
P	LTR REV	DESCRIPTION MODIFICATIONS	DATE	DWN DESS.	APVD APP.
	0	-	20AUG 97	JB	AD
	A	EQ00-0011-99	03FEB 99	DB	AD
	B	ECR-18-019748 (UPDATE MARKING PROCESS)	18DEC2018	BM	AG

BORNE PREISOLEE DE CONNEXION BOLTED PREINSULATED CONNECTION



MARQUAGE : LOGO, REFERENCE, CAPACITE, LOT
 Marking: Logo, reference, capacities, date




* Version demontable sur demande
 Dismantled version on request

PN	DESIGNATION	CAPACITES (mm ²) CAPACITIES	COTE TETE FUSIBLE (mm) DIMENSION SHEAR HEAD	COUPLE DE SERRAGE (Nm) TIGHTENING TORQUE
-	BPC P35M-P35M	6 a 35M (version EDF)	13	10
719820-1	BPC P35-P35	4 to 35 STR Alu or Cu	13	10

TOLERANCES UNLESS OTHERWISE SPECIFIED: -
 TOLERANCES NON SPECIFIEES: -

THIS DRAWING IS UNPUBLISHED.
 DIFFUSION RESTREINTE AMP
 © COPYRIGHT copyright - dBye -

DIMENSIONS: mm TOLERANCES UNLESS OTHERWISE SPECIFIED: TOLERANCES NON SPECIFIEES (SUIVANT DE DECIMALES): 0 PLC / DEC: ±0 1 PLC / DEC: ±0.1 2 PLC / DEC: ±0.2 3 PLC / DEC: ±0.3 4 PLC / DEC: ±0.0001 ANGLES ±	DWN / DESSINE D. BENOIT 03FEB 99	MATERIAL MATIERE -	FINISH FINITION -
	CHK / VERIFIE F. BARANGER	 TE Connectivity	
APVD / APPROUVE G. NEDELLEC	NAME TITRE ENSEMBLE BPC P-P ASSEMBLY BPC P-P		
PRODUCT SPEC SPEC. PRODUIT -	APPLICATION SPEC SPEC. APPLICATION -	SIZE FORMAT A4	CAGE CODE 00779
WEIGHT MASSE APPROX. 83 g.	DRAWING NO No PLAN C-719820	RESTRICTED TO RESERVE A -	
CUSTOMER DRAWING / PLAN CLIENT		UNIQUEMENT POUR REFERENCE	SCALE ECHELLE 7:10
		SHEET FEUILLE 1	OF DE 1
		REV B	