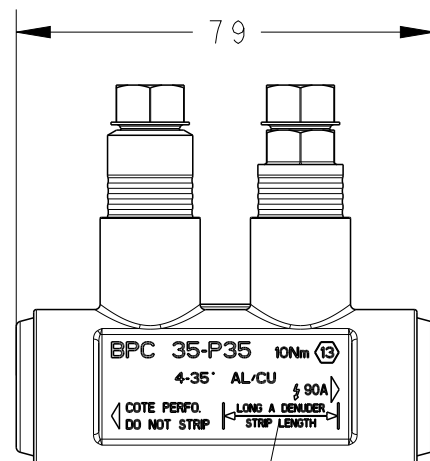
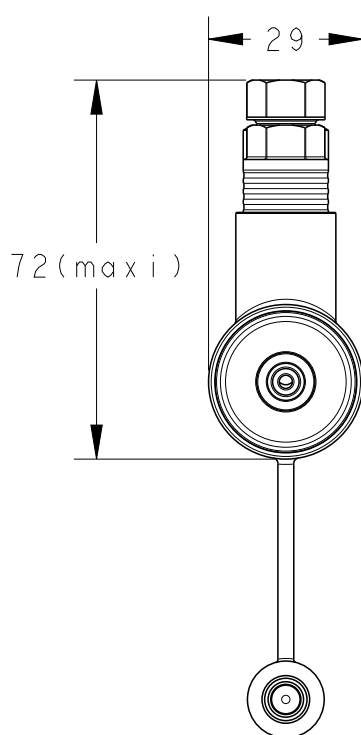


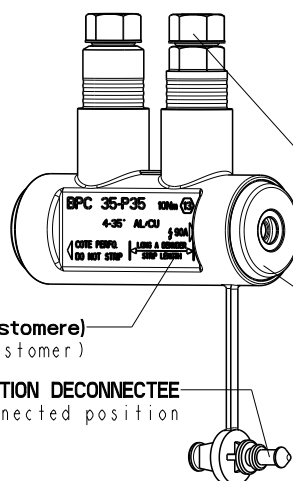
REVISIONS					
P	LTR REV	DESCRIPTION MODIFICATIONS	DATE	DWN DESS.	APVD APP.
	C	WAS 07PF10020	20AUG 97	JB	AD
	D	EQ00-0011-99	03FEB 99	DB	AD
	E	ECR-18-019748 (UPDATE MARKING PROCESS)	18DEC2018	BM	GN

## BORNE PREISOLEE DE CONNEXION

### BOLTED PREINSULATED CONNECTION



MARQUAGE : LOGO, REFERENCE, CAPACITE, LOT  
 Marking: Logo, reference, capacities, date



TETE FUSIBLE ISOLANTE (plastique)  
 Insulated shear head (plastic)

BAGUE (elastomere)  
 Terminal seal (elastomer)


ENVELOPPE ISOLANTE (elastomere)  
 Insulated housing (elastomer)

OBTURATEUR D'ETANCHEITE ET D'ISOLEMENT POUR POSITION DECONNECTEE  
 Insulated and watertight cap for disconnected position

PN	REFERENCE	CAPACITES (mm <sup>2</sup> ) CAPACITIES	COTE TETE FUSIBLE (mm) DIMENSION SHEAR HEAD	COUPLE DE SERRAGE (Nm) TIGHTENING TORQUE
-	BPC 35M-P35M	6 a 35M (version EDF)	13	10
719818-1	BPC 35-P35	4 to 35 STR Alu or Cu	13	10

TOLERANCES UNLESS OTHERWISE SPECIFIED:  
 TOLERANCES NON SPECIFIEES: -

RELEASED FOR PUBLICATION  
 LIBRE A LA DIFFUSION  
 ALL RIGHTS RESERVED.  
 TOUS DROITS RESERVES.  
 THIS DRAWING IS UNPUBLISHED.  
 DIFFUSION RESTREINTE AMP  
 © COPYRIGHT copyright - dBye -

DIMENSIONS: mm		DWN /DESSINE D. BENOIT	03FEB 99	MATERIAL MATIERE	-	FINISH FINITION	-
TOLERANCES UNLESS OTHERWISE SPECIFIED: TOLERANCES NON SPECIFIEES (SUIVANT DE DECIMALES): 0 PLC /DEC: ±0 1 PLC /DEC: ±0.1 2 PLC /DEC: ±0.2 3 PLC /DEC: ±0.3 4 PLC /DEC: ±0.0001 ANGLES ±		CHK /VERIFIE F. BARANGER	-	 TE Connectivity			
		APVD /APPROUVE G. NEDELLEC	-				
		PRODUCT SPEC SPEC. PRODUIT	-	NAME TITRE			
		APPLICATION SPEC SPEC. APPLICATION	-	ENSEMBLE BPC P BPC P ASSEMBLY			
		WEIGHT MASSE APPROX.	85 g.	SIZE FORMAT	A4	CAGE CODE	00779
				DRAWING NO No PLAN	C=719818		RESTRICTED TO RESERVE A
		CUSTOMER DRAWING /PLAN CLIENT		UNIQUEMENT POUR REFERENCE	SCALE ECHELLE 7:10	SHEET FEUILLE	OF DE
							REV E