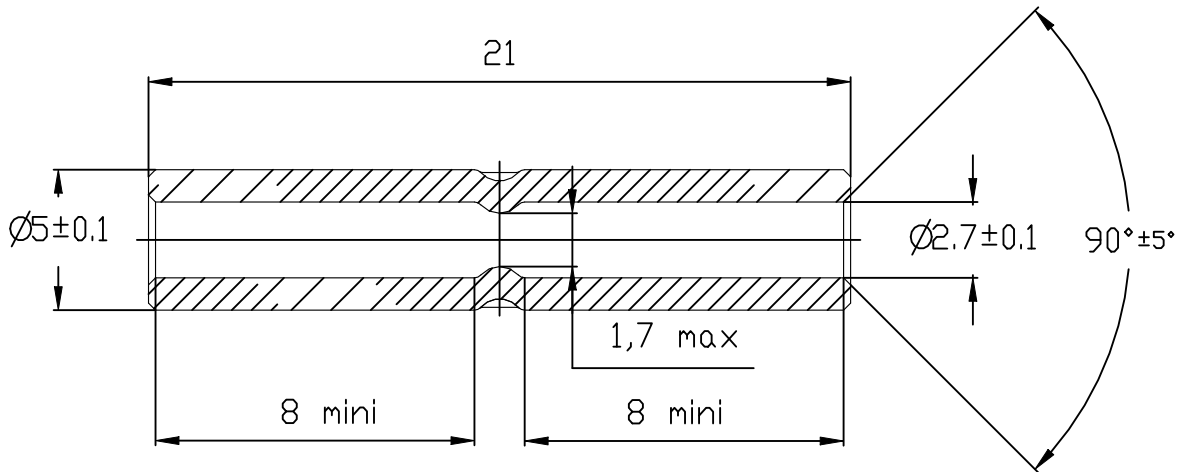


REVISIONS					
P	LTR	DESCRIPTION	DATE	DWN	APVD
	B	DIMENSION UPDATED	27-OCT-22	MT	NA



MARQUAGE: 4

PAR 100	XG7T 4	710984-1
QUANTITY	DESCRIPTION	PART NUMBER

TE Connectivity. All Rights Reserved.

19



DIMENSIONS: mm	DWN CARIHIAN	16-Mai-06	MATERIAL CUIVRE/COPPER	FINISH ETAME/TINNED
	CHK F. HEBERT	-	TE Connectivity	
TOLERANCES UNLESS OTHERWISE SPECIFIED:	APVD N. ALMEDIA	-		
	0 PLC ± -	PRODUCT SPEC -	SIZE A4	
1 PLC ± -	APPLICATION SPEC NF C 20 -130	CAGE CODE 00779	DRAWING NO 710984	RESTRICTED TO -
2 PLC ± -	WEIGHT 2.5 g	SCALE 3:1		SHEET 1 OF 1
3 PLC ± -		CUSTOMER DRAWING		REV B
4 PLC ± -				
ANGLES ± -				