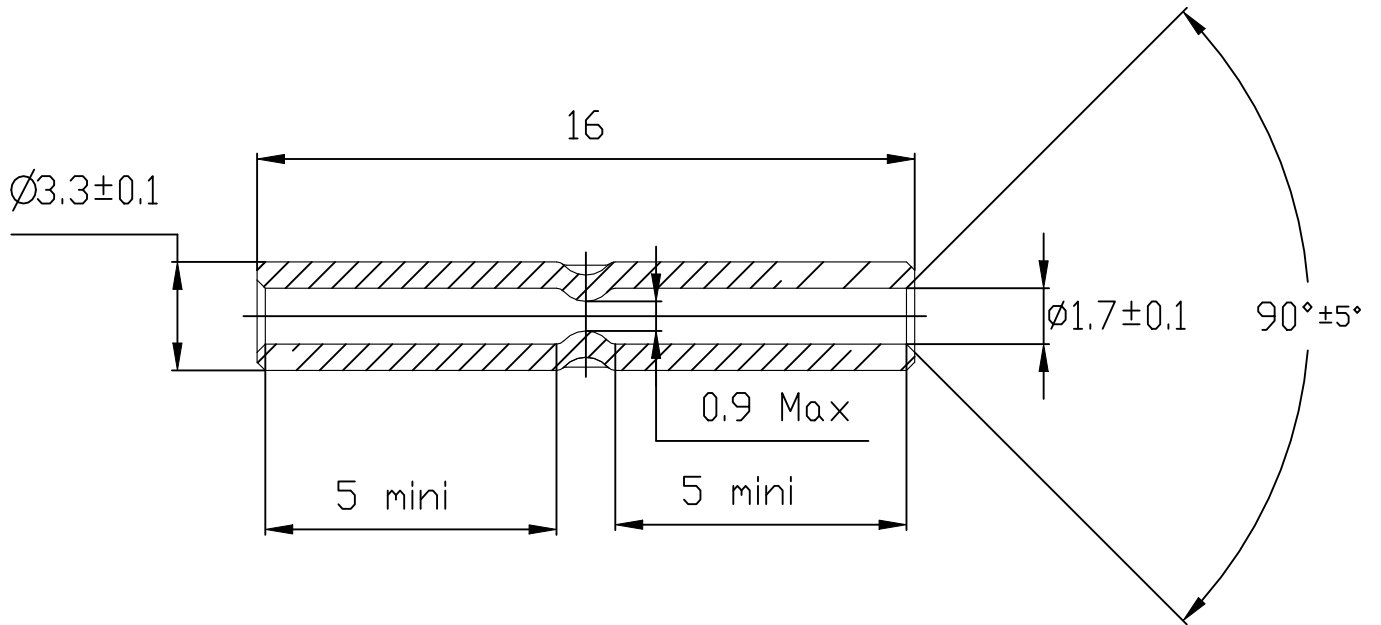


REVISIONS				
P	LTR	DESCRIPTION	DATE	APVD
	B	DIMENSION UPDATED	27-OCT-22	MT NA




MARQUAGE: 1.5

PAR 100	XG7T 1.5	710982-1
QUANTITY	DESCRIPTION	PART NUMBER

TE Connectivity. All Rights Reserved.

19

©

DIMENSIONS: mm	DWN CARLHIAN	16-Moi-06	MATERIAL CUIVRE/COPPER	FINISH ETAME/TINNED
	CHK F.HEBERT	-	 TE Connectivity	
TOLERANCES UNLESS OTHERWISE SPECIFIED:	APVD N. ALMEIDA	-		
	0 PLC ± - 1 PLC ± - 2 PLC ± - 3 PLC ± - 4 PLC ± - ANGLES ± -	PRODUCT SPEC -	APPLICATION SPEC NF C 20-130	SIZE A4
WEIGHT 0.87 g			DRAWING NO 710982	RESTRICTED TO -
CUSTOMER DRAWING			SCALE 3:1	SHEET 1 OF 1
			REV B	