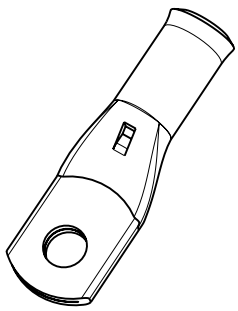
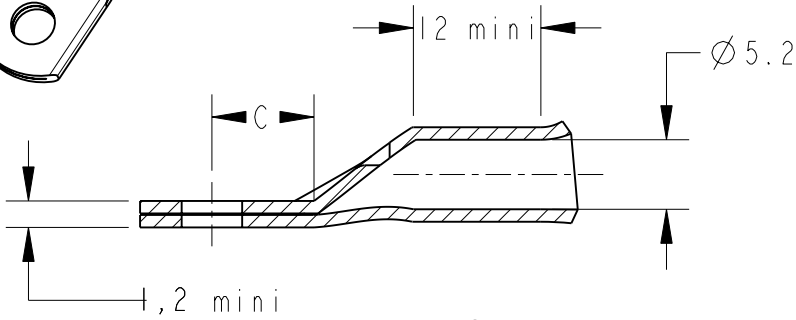


LOC	DIST	REVISIONS					
FH	00	P	LTR REV	DESCRIPTION MODIFICATIONS	DATE	DWN DESS.	APVD APP.
			D1	REVISED PER ECO-11-005150	28MAR2011	RK	HMR
			E	ECR-11-018538	07SEP2011	LP	NA



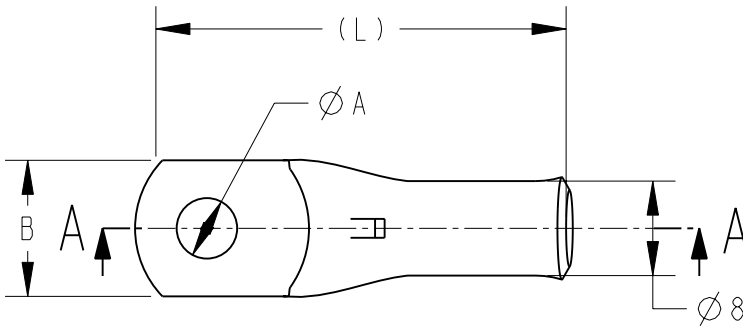
COUPE A-A



Inspection hole




Ces produits répondent à la norme NFC 20-130.
 These products are NFC 20-130 compliant.



(L)	C	B	Ø A	DESCRIPTION	PART NUMBER
33,5	7	12	5,2	XCT 16-5	710030-1
33,5	7	12	6,4	XCT 16-6	710030-3
39	9	16	8,3	XCT 16-8	710030-5
43	11	16	10,3	XCT 16-10	710030-7
43	11	16	12,2	XCT 16-12	710030-8

- 1 - MATERIAL = TINNED COPPER
- 2 - Marking in depth: logo-section-hole-Made in France +
- 3 - CABLE SECTION = 5AWG or 16mm²
- 4 - GROOVE E16Cu OR DIE (Punch 17P16+ Die 17M16)

TOLERANCES UNLESS OTHERWISE SPECIFIED: -
 TOLERANCES NON SPECIFIEES: -

DIMENSIONS: mm	DWN/DESSINE D. LEGUY	15DEC00	MATERIAL MATIERE	CUIVRE	FINISH FINITION	ETAME			
	CHK/VERIFIE E. DEREY	-	 TE Connectivity						
TOLERANCES UNLESS OTHERWISE SPECIFIED: TOLERANCES NON SPECIFIEES (SUIV NB DE DECIMALES): 0 PLC/DEC: ±0 1 PLC/DEC: ±0 2 PLC/DEC: ±0 3 PLC/DEC: ±0 4 PLC/DEC: ±0 ANGLES ±-	APVD/APPROUVE N. ALMEIDA	-					NAME TITRE	XCT 16-..	
	PRODUCT SPEC SPEC. PRODUIT	-	SIZE FORMAT	CAGE CODE	DRAWING NO No PLAN	RESTRICTED TO RESERVE A			
	APPLICATION SPEC SPEC. APPLICATION	-	A4	00779	©-710030	-			
	WEIGHT MASSE APPROX.		CUSTOMER DRAWING /PLAN CLIENT		UNIQUEMENT POUR REFERENCE	SCALE ECHELLE - / -	SHEET FEUILLE 1	OF DE 1	REV E