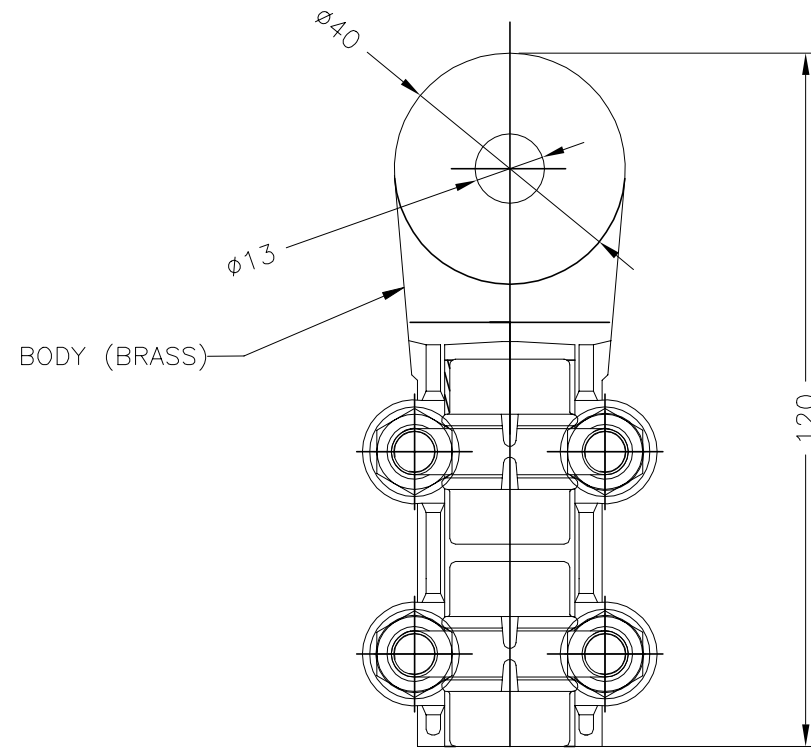
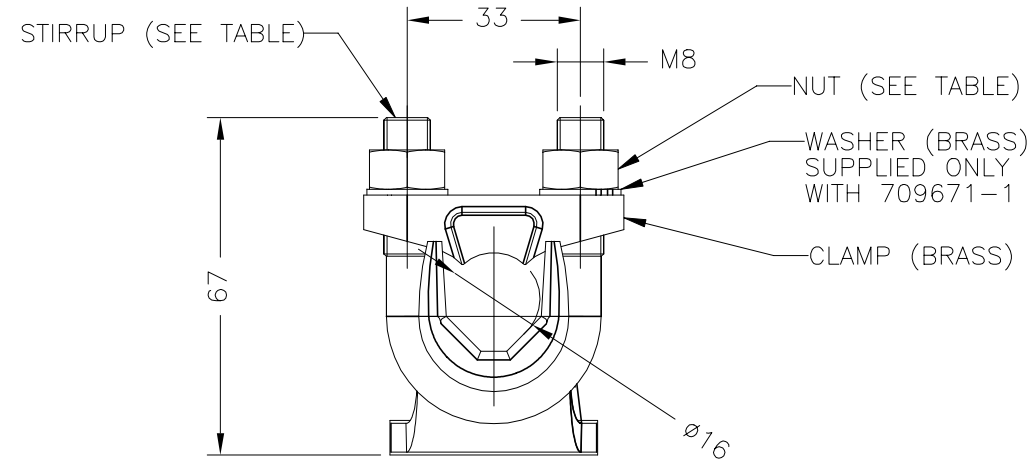


REVISIONS

P	LTR	DESCRIPTION	DATE	DWN	APVD
	A	NEW DRAWING	01SEP2021	RS	LJ



MATERIAL	WEIGHT (g)	SECTION (mm ²)	DESCRIPTION	PART NUMBER
BRASS	520	150 to 300	CC 150-300 B	709671-1
STAINLESS STEEL	525	150 to 300	CC 150-300 A	709670-1

THIS DRAWING IS A CONTROLLED DOCUMENT.		DWN RAVI.S 01SEP2021			
DIMENSIONS: mm		CHK M.BENOIT 01SEP2021			
		APVD L.JONATHAN 01SEP2021			
TOLERANCES UNLESS OTHERWISE SPECIFIED:		NAME CC 150-300 X			
0 PLC ± -		PRODUCT SPEC			
1 PLC ± -		APPLICATION SPEC			
2 PLC ± -		SIZE			
3 PLC ± -		CAGE CODE			
4 PLC ± -		DRAWING NO			
ANGLES ± -		RESTRICTED TO			
FINISH		WEIGHT			
-		A3 00779 C=709670			
		CUSTOMER DRAWING		SCALE 1:1	SHEET 1 OF 1
				REV A	