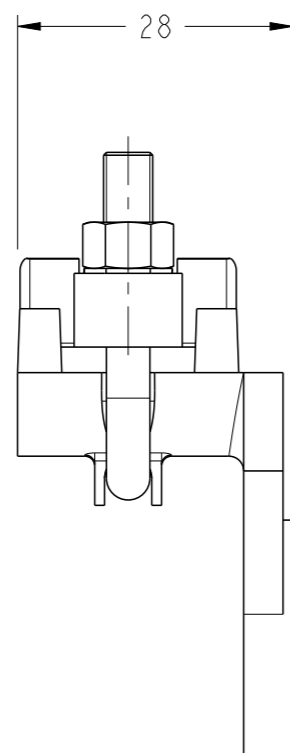
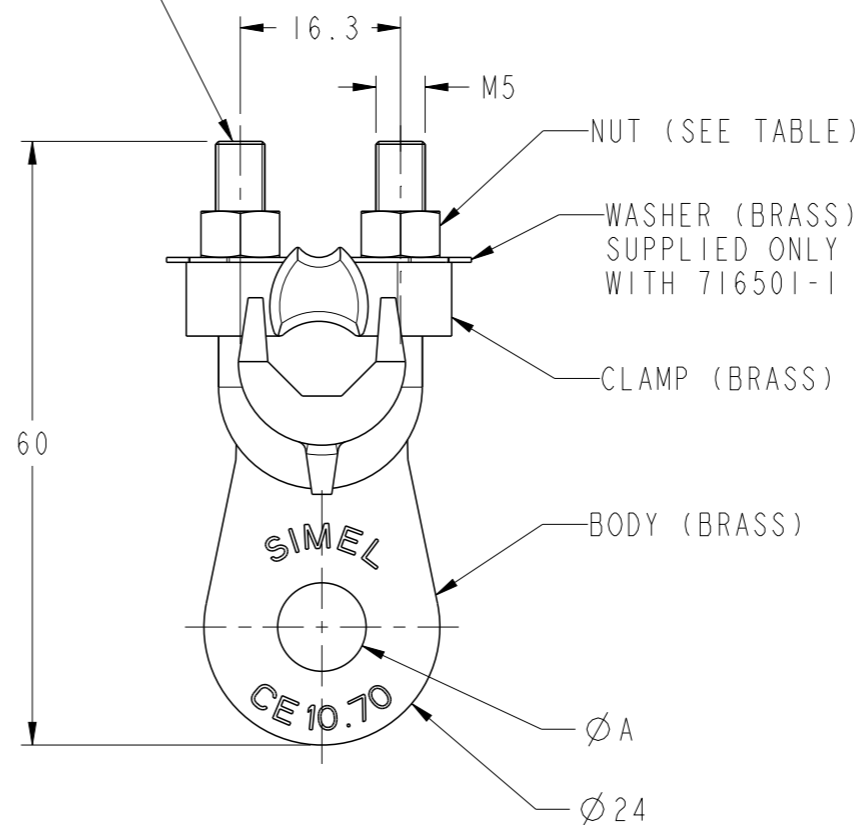


REVISIONS

P	LTR	DESCRIPTION	DATE	DWN	APVD
	A	NEW DRAWING	02SEP2021	RS	LJ



STIRRUP (SEE TABLE)



74.5	9	10 to 70	CE 10-70 B D9	716501-1
71.5	9	10 to 70	CE 10-70 A D9 CE 10-70 A	709663-1
70	11	10 to 70	CE 10-70 A D11	709664-1
WEIGHT (g)	Ø A	CROSS SECTION (mm ²)	DESCRIPTION	PART NUMBER

THIS DRAWING IS A CONTROLLED DOCUMENT.		DWN RAVI.S 02SEP2021	TE TE Connectivity	
DIMENSIONS: mm		CHK M.BENOIT 02SEP2021		
TOLERANCES UNLESS OTHERWISE SPECIFIED:		APVD L.JONATHAN 02SEP2021	NAME CE 10-70 X DX	
0 PLC ±-		PRODUCT SPEC	-	
1 PLC ±-		APPLICATION SPEC	-	
2 PLC ±-		WEIGHT	-	
3 PLC ±-		CUSTOMER DRAWING	SIZE A3	CAGE CODE 00779
4 PLC ±-		FINISH	DRAWING NO G=709664	RESTRICTED TO
ANGLES ±-			SCALE 5:1	SHEET 1 OF 1
MATERIAL				REV A