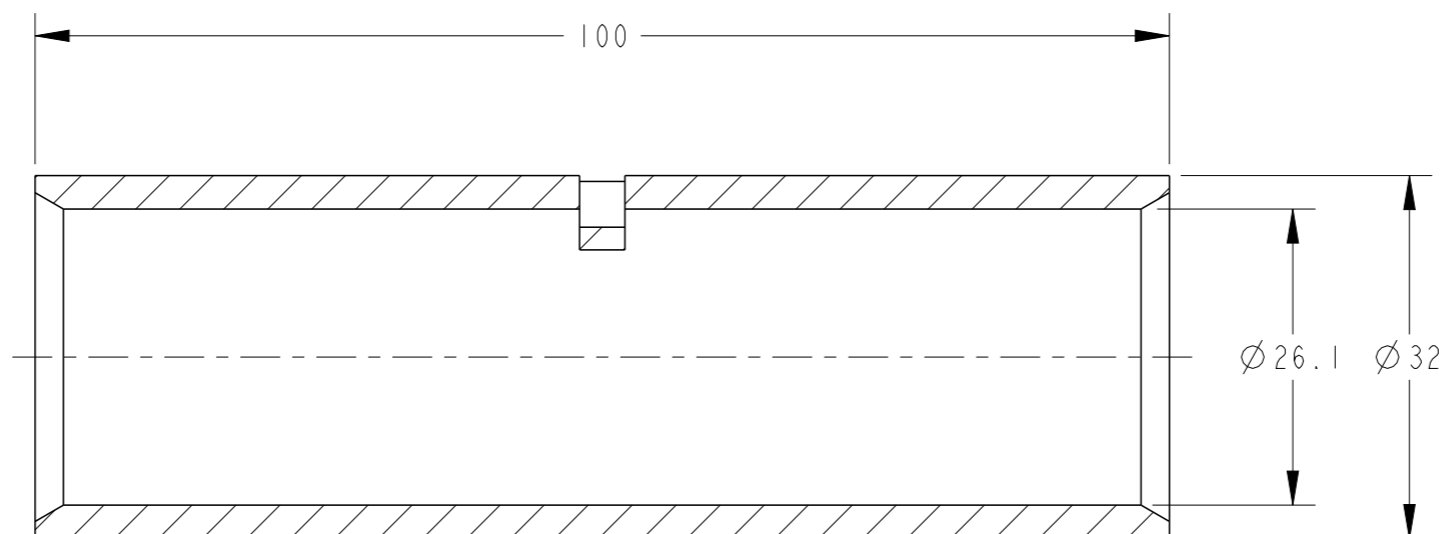
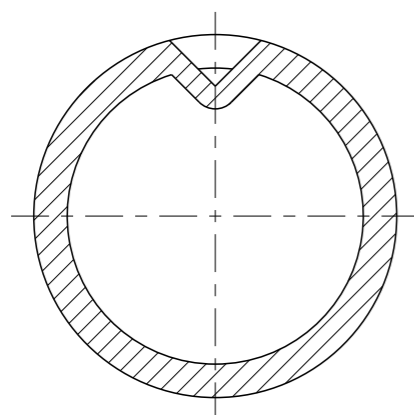


REVISIONS

P	LTR	DESCRIPTION	DATE	DWN	APVD
	A	INITIAL RELEASE	17DEC2020	RS	NA



TCPN	DESCRIPTION	CROSS SECTION (mm ²)
709574-1	XG7T 400	400

THIS DRAWING IS A CONTROLLED DOCUMENT.		DWN RAVI.S 17DEC2020			
DIMENSIONS: mm		CHK L. JONATHAN 17DEC2020			
		APVD N. ALMEIDA 17DEC2020			
TOLERANCES UNLESS OTHERWISE SPECIFIED:		PRODUCT SPEC -	NAME XG7T 400		
0 PLC ±-		APPLICATION SPEC -	SIZE A3	CAGE CODE 00779	DRAWING NO C-709574
1 PLC ±-		WEIGHT 238 g	RESTRICTED TO -		
2 PLC ±-		CUSTOMER DRAWING	SCALE NTS	SHEET 1 OF 1	REV A
3 PLC ±-					
4 PLC ±-					
ANGLES ±-					
FINISH TIN					
MATERIAL COPPER					