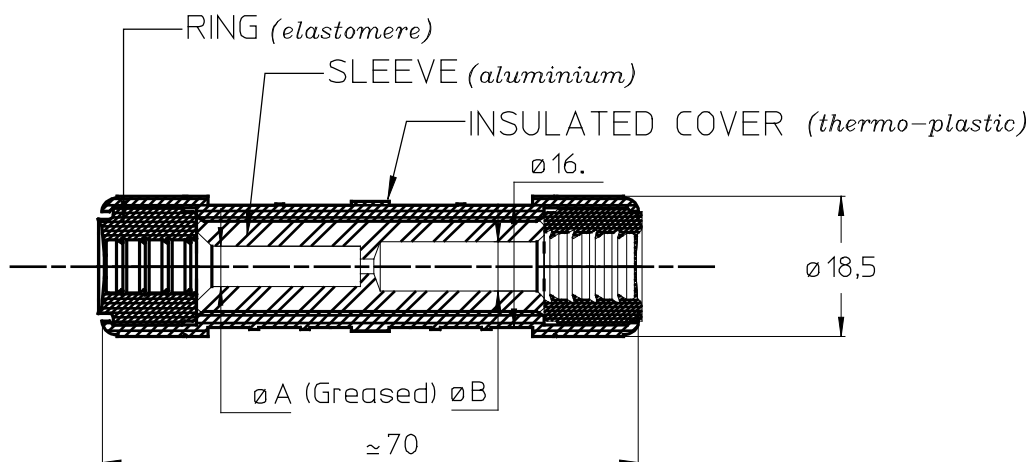


| | | | | | | | |
|-----|------|-----------|------------|------------------------------|-----------|--------------|--------------|
| LOC | DIST | REVISIONS | | | | | |
| FH | 00 | P | LTR REV | DESCRIPTION MODIFICATIONS | DATE | DWN DESS. | APVD APPR |
| | | | C | MISE A JOUR PLAN/CARTOUCHE | 24-Jun-08 | FM | GP |

MARKING: REFERENCE, DIE, \diamond , DATE

DIE: E140



Number of crimps: 2x3 (width=5mm) or 2x2 (width=9mm)

| CONDUCTORS | | Part Number | REFERENCE | Dimensions (mm) | |
|---------------|---------------|-------------|--------------|-----------------|-----|
| cond.A mm2 | cond.B mm2 | | | ØA | ØB |
| 04 | 04 | 709348-1 | MJPB 04 | 2,7 | 2,7 |
| | 06 | 709348-3 | MJPB 04-06 | | 3,3 |
| | 10 | 709348-2 | MJPB 04-10 | | 4,3 |
| | 16 | 709348-4 | MJPB 04-16 | | 5,3 |
| 06 | 06 | 709348-5 | MJPB 06 | 3,3 | 3,3 |
| | 10 | 709348-6 | MJPB 06-10 | | 4,3 |
| | 16 | 709348-8 | MJPB 06-16 | | 5,3 |
| | 25 | 1-709348-0 | MJPB 06-25 | | 6,5 |
| | 35 | 1-709348-2 | MJPB 06-35 | | 8,0 |
| 10 | 10 | 3-709348-1 | MJPB 10 | 4,3 | 4,3 |
| | 16 | 1-709348-4 | MJPB 10-16 | | 5,3 |
| | 25 | 1-709348-6 | MJPB 10-25 | | 6,5 |
| | 35 | 1-709348-8 | MJPB 10-35 | | 8,0 |
| | 50 | - | MJPB 10-50 | | 8,8 |
| 16 | 16 | 2-709348-0 | MJPB 16 | 5,3 | 5,3 |
| | 25 | 2-709348-2 | * MJPB 16-25 | | 6,5 |
| | 35 | 2-709348-5 | MJPB 16-35 | | 8,0 |
| | 50 | 2-709348-6 | MJPB 16-50 | | 8,8 |
| 25 | 25 | 2-709348-8 | MJPB 25 | 6,5 | 6,5 |
| | 35 | 3-709348-2 | MJPB 25-35 | | 8,0 |
| | 50 | 3-709348-7 | MJPB 25-50 | | 8,8 |
| 35 | 35 | 3-709348-5 | MJPB 35 | 8,0 | 8,0 |
| | 50 | - | MJPB 35-50 | | 8,8 |
| 50 | 50 | - | MJPB 50 | 8,8 | 8,8 |

RING COLOR CODE:

04:ivory
06:brown
10:green
16:blue
25:orange
35:red
50:yellow

RELEASED FOR PUBLICATION

ALL RIGHTS RESERVED.
TOUS DROITS RESERVES

BY TYCO ELECTRONICS CORPORATION

© COPYRIGHT 2007

THIS DRAWING IS UNPUBLISHED.
DIFFUSION RESTREINTE

DIMENSIONS:

mm

TOLERANCES UNLESS OTHERWISE SPECIFIED PER TOLERANCES NON SPECIFIEES SELON :

DWN /DESSINE 24-Jun-08
F.MOIROUD

CHK /VERIFIE -
L.MAINIER

APVD /APPROUVE -
G.PORCHERAY

PRODUCT SPEC
SPEC. PRODUIT -

APPLICATION SPEC
SPEC. APPLICATION -

APPROX. WEIGHT
MASSE APPROX. -

MATERIAL -
MATIERE

FINISH -
FINITION

Tyco Electronics

SIMEL PRODUCTS

NAME
TITRE

MJPB

SIZE
FORMAT

CAGE CODE

DRAWING NO
No PLAN

RESTRICTED TO
RESERVE A

A4

00779

© = 709348

CUSTOMER DWG / PLAN CLIENT

UNIQUEMENT
POUR REFERENCE

SCALE
ECHELLE 1:1

SHEET
FEUILLE 1 OF 1
DE 1

REV

C