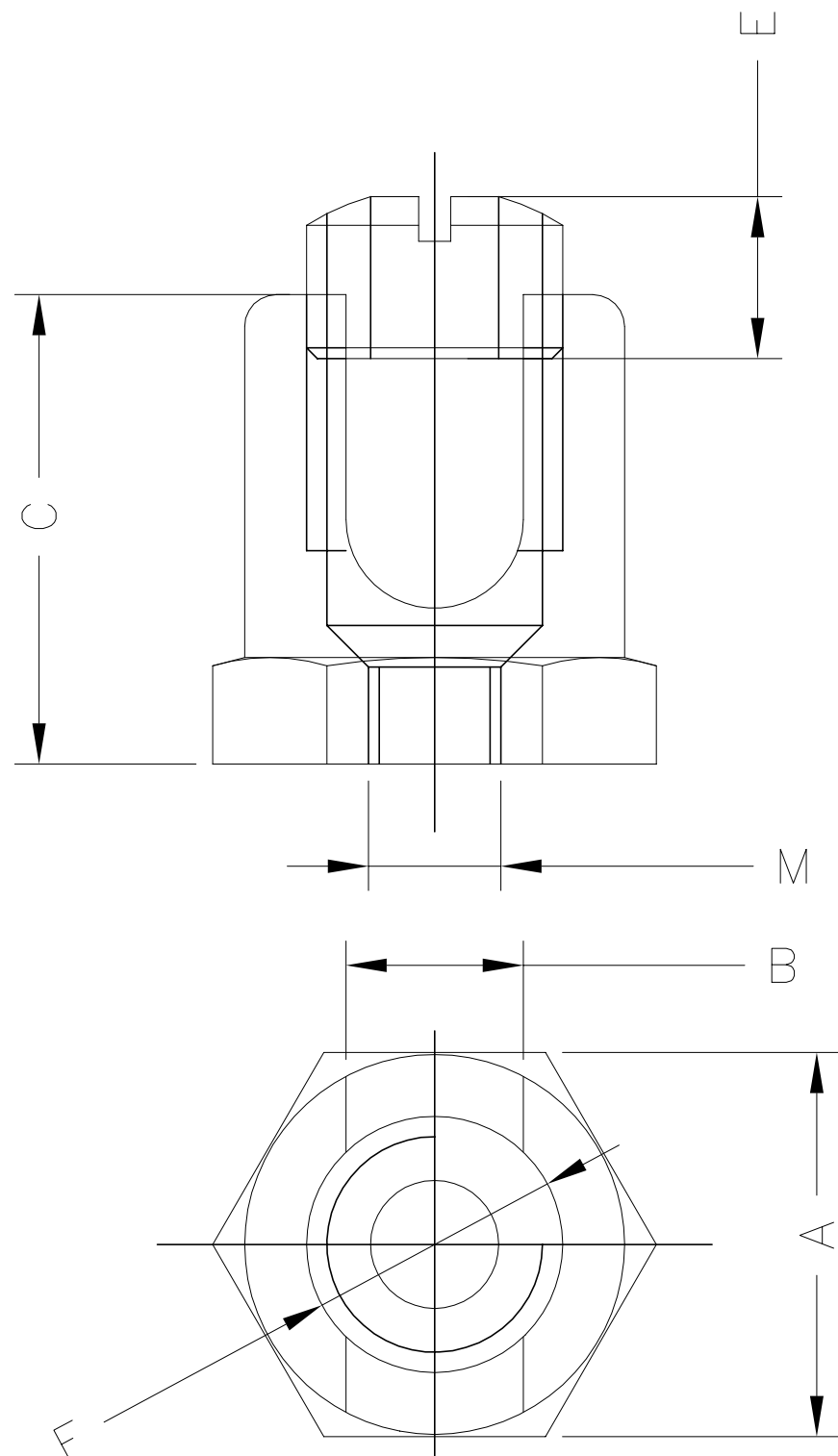


REVISIONS

P	LTR	DESCRIPTION	DATE	DWN	APVD
	A	INITIAL RELEASE	06MAY2021	SM	NA



Notes:

- Raw material: Brass (Laiton)
- Capacities:
 - BB 6-6: Dia 3 to 6 mm (6 to 16 mm²)
 - BB 8-6: Dia 4 to 8 mm (10 to 35 mm²)
 - BB 8-7: Dia 4 to 8 mm (10 to 35 mm²)
 - BB 8-8: Dia 4 to 8 mm (10 to 35 mm²)

PART NUMBER	REFERENCE	DIMENSIONS (mm)					
		A	B	C	M	E	F
709305-2	BB 6-6	17	6.3	19	M6x100	9	M12x150
709305-6	BB 8-6	18	8.3	22	M6x100	9	M12x175
709305-7	BB 8-7x150	18	8.3	22	M7x150	9	M12x175
709305-8	BB 8-8	18	8.3	22	M8x125	9	M12x175

THIS DRAWING IS A CONTROLLED DOCUMENT.		DWN SATYA.M 06MAY2021	STE TE Connectivity		
		CHK N.ALMEDIA 06MAY2021			
		APVD L.JONATHAN 06MAY2021	NAME BB		
DIMENSIONS: mm		TOLERANCES UNLESS OTHERWISE SPECIFIED:	PRODUCT SPEC		
		0 PLC ± -	APPLICATION SPEC		
		1 PLC ± -	SIZE		
		2 PLC ± -	CAGE CODE		
		3 PLC ± -	DRAWING NO		
		4 PLC ± -	RESTRICTED TO		
		ANGLES ± -	A3 00779 C=709305		
MATERIAL		FINISH	WEIGHT		
-		-	-		
CUSTOMER DRAWING			SCALE	SHEET	REV
			1:1	1 OF 1	A