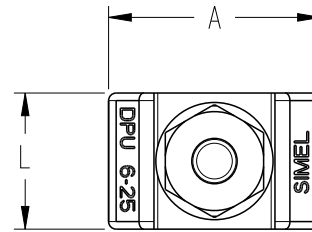
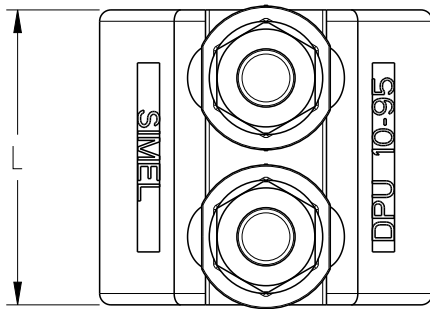
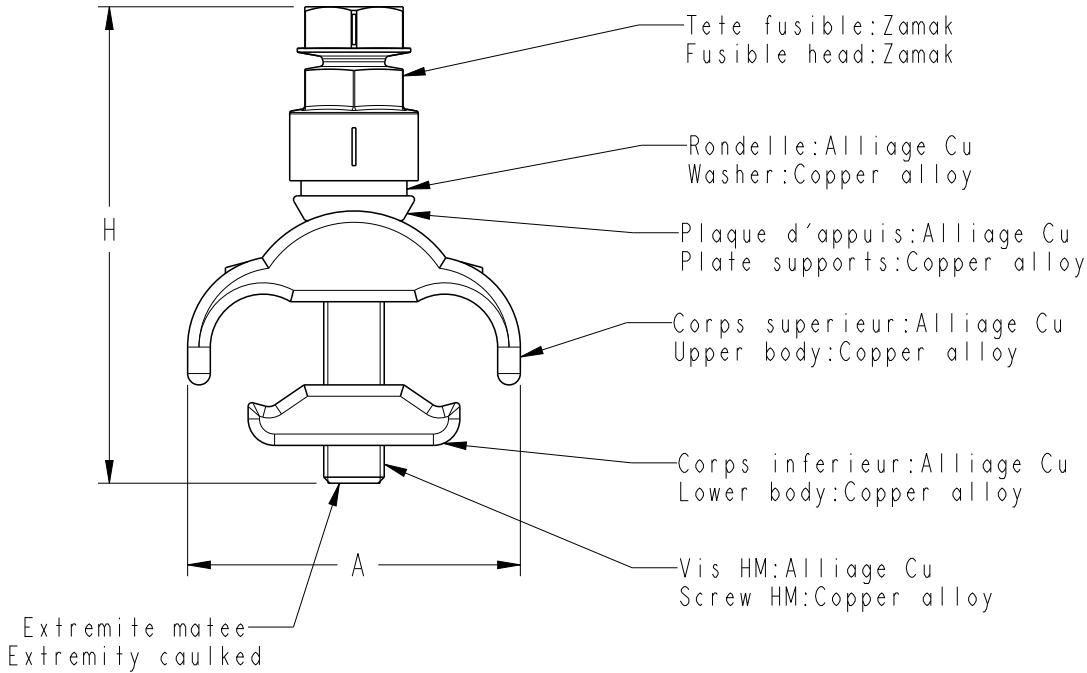


REVISIONS					
P	LTR REV	DESCRIPTION MODIFICATIONS	DATE	DWN DESS.	APVD APP.
	D	Mise a jour	was 04VFB0180	22AUG2016	GC GN



Marquage: Designation TE Logo N° de lot
 Marking: Designation TE Logo Batch

2	4	12	63	39	44	10a95	67.00.012	CMU95R	DPU 10-95F	709266-1
2	3	12	58	39	34	6a50	67.00.011	CMU50R	DPU 6-50F	709265-1
1	1	9	46	18	28	6a25	67.00.010	CMU25R	DPU 6-25F	709264-1
Nb VIS	Nb RACCORD ARRET BT	COUPLE DE SERRAGE (Nm)	H	L	A	CAPACITE mm ²	N° de CODET ENEDIS	ENEDIS	TE	PN
									DESIGNATION	

TOLERANCES UNLESS OTHERWISE SPECIFIED: -
 TOLERANCES NON SPECIFIEES: -

THIS DRAWING IS UNPUBLISHED. DIFFUSION RESTREINTE. BY - COPYRIGHT 2011

DIMENSIONS: mm TOLERANCES UNLESS OTHERWISE SPECIFIED: TOLERANCES NON SPECIFIEES (SUIVANT NB DE DECIMALES): 0 PLC / DEC: ±0 1 PLC / DEC: ±0.1 2 PLC / DEC: ±0.2 3 PLC / DEC: ±0.3 4 PLC / DEC: ±0.4 ANGLES ±	DWN / DESSINE G. CARLHIAN 22AUG2016 CHK / VERIFIE E. DEREY APVD / APPROUVE G. NEDELEC PRODUCT SPEC SPEC. PRODUIT - APPLICATION SPEC SPEC. APPLICATION -	MATERIAL MATIERE - FINISH FINITION -	TE Connectivity
	NAME TITRE DPUF - CMU R SIZE FORMAT A4 CAGE CODE - DRAWING NO No PLAN C=709266 RESTRICTED TO RESERVE A -		
WEIGHT MASSE APPROX. -	CUSTOMER DRAWING / PLAN CLIENT	UNIQUEMENT POUR REFERENCE	SCALE ECHELLE 1:1 SHEET FEUILLE 1 OF DE 1 REV D