

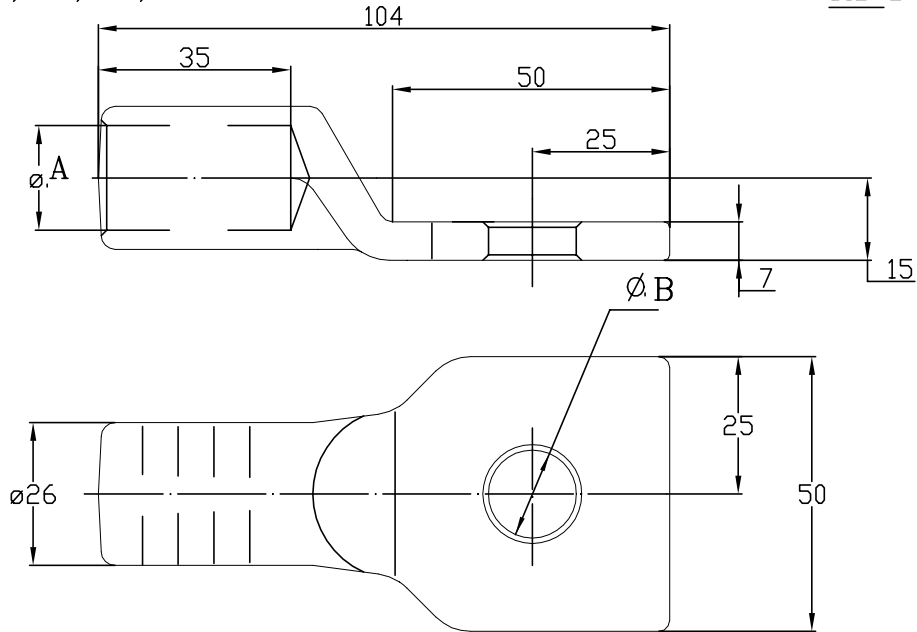
LOC	DIST	REVISIONS				
P	LTR REV	DESCRIPTION MODIFICATIONS	DATE	DWN DESS.	APVD APP.	
	D	Creation	28-Jan-00	CA	JT	
	A	Ajout 709219-2	16-Dec-04	CA	GP	
	B	ECR-14-007514	20/05/14	JB	AG	
	C	PN 709219-8 ADDED AS PER ECO-21-007973	23/08/21	RS	LJ	

MARQUAGE: REFERENCE, LOGO, LOT FAB., OUTILLAGE

OUTILLAGE: E 240 CU

MARKING: REFERENCE, LOGO, DATE, DIE

DIE: E 240 CU



Etamé	21	16	DPD7 240/50X50-D16 T	709219-8
Etamé	21	14,5	DPD7 240/50x50-D14.5 E	709219-2
Non Etamé	21	16	DPD7 240/50x50-D16	709219-4
	21	14,5	DPD7 240/50x50-D14,5	709219-3
	21	without hole	DPD7 240/50x50-NP	709219-1
	19	18	DPD7 185/50x50-D18	709088-7
	19	16	DPD7 185/50x50-D16	709088-6
	19	14,5	DPD7 185/50x50-D14,5	709088-5
	19	12	DPD7 185/50x50-D12	709088-3
	19	without hole	DPD7 185/50x50-NP	709088-1
FINISH FINITION	ø A	ø B	DESCRIPTION	Part Number

MATIERE: CUIVRE
MATERIAL: COPPER

RELEASED FOR PUBLICATION

THIS DRAWING IS UNPUBLISHED.
DIFFUSION RESEINTE AMP

ALL RIGHTS RESERVED.
TOUS DROITS RESERVES.
BY AMP INCORPORATED.
COPYRIGHT 19

DIMENSIONS:

mm

TOLERANCES UNLESS OTHERWISE SPECIFIED PER TOLERANCES NON SPECIFIEES SELON : -

DWN /DESSINE 16-Dec-04

ANDRE

CHK /VERIFIE -

DEREY

APVD /APPROUVE -

NEDELLEC

PRODUCT SPEC -

SPEC. PRODUIT

-

APPLICATION SPEC -

SPEC. APPLICATION

-

WEIGHT -

MASSE APPROX.

MATERIAL Cuivre / Copper

MATIERE

FINISH -

FINITION



TE connectivity
SIMEL PRODUCTS

NAME

TITRE

DPD7 185 to 240 ..

SIZE

FORMAT

A4

CAGE CODE

00779

DRAWING NO

No PLAN

C = 709088

CUSTOMER DWG / PLAN CLIENT

UNIQUEMENT POUR REFERENCE

SCALE ECHELLE - /

SHEET FEUILLE 1 OF DE 1

REV C