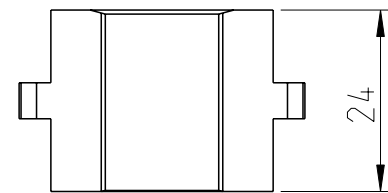
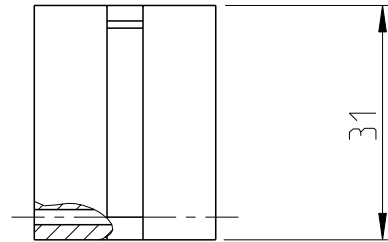
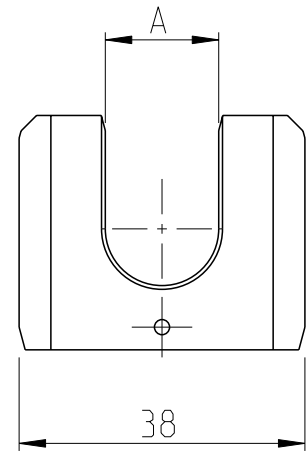
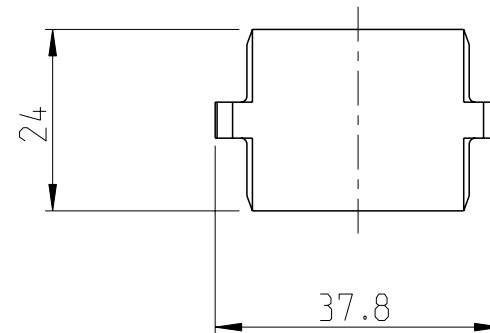
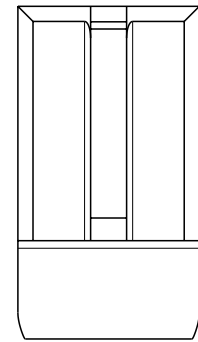
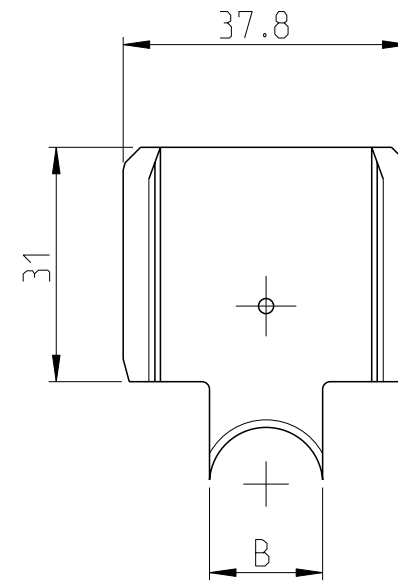


P	LTR	DESCRIPTION	DATE	DWN	APVD
	A	NEW DRAWING	25FEB2020	NB	JL

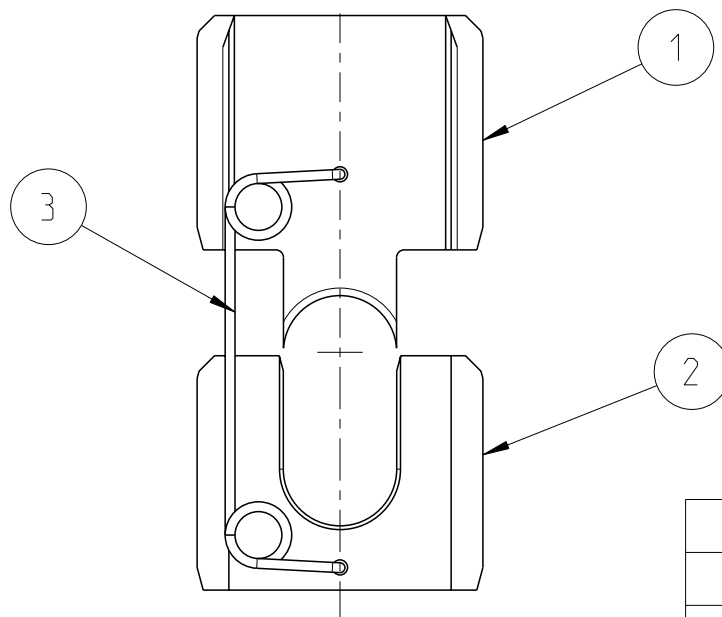
DIE



PUNCH



11.95	12.0	7R 95	708670-1
10.45	10.5	7R 70	708669-1
8.45	8.5	7R 50	708668-1
14.95	15.0	7R 150	708671-1
B	A	DESCRIPTION	PART NUMBER



NOTES  
 1.TOLERANCES ACCORDING TO ISO-2769-mk.  
 2.BREAK THE SHARP ANGLES ON ALL AREAS EXECUTED IN RECTIFICATION.

SL NO	QTY	NAME
3	1	SPRING
2	1	DIE
1	1	PUNCH

THIS DRAWING IS A CONTROLLED DOCUMENT.		DWN N BASAVARAJ 24FEB2020			
DIMENSIONS: mm		CHK L. JONATHAN 25FEB2020			
TOLERANCES UNLESS OTHERWISE SPECIFIED:		APVD N. ALMEIDA 25FEB2020	NAME 7R...		
		PRODUCT SPEC	RESTRICTED TO		
MATERIAL PROTECTED STEEL		FINISH	SIZE A3	CAGE CODE 00779	DRAWING NO C-708671
		APPLICATION SPEC	SCALE 1:1		
		WEIGHT	SHEET 1 OF 1		
		CUSTOMER DRAWING	REV A		