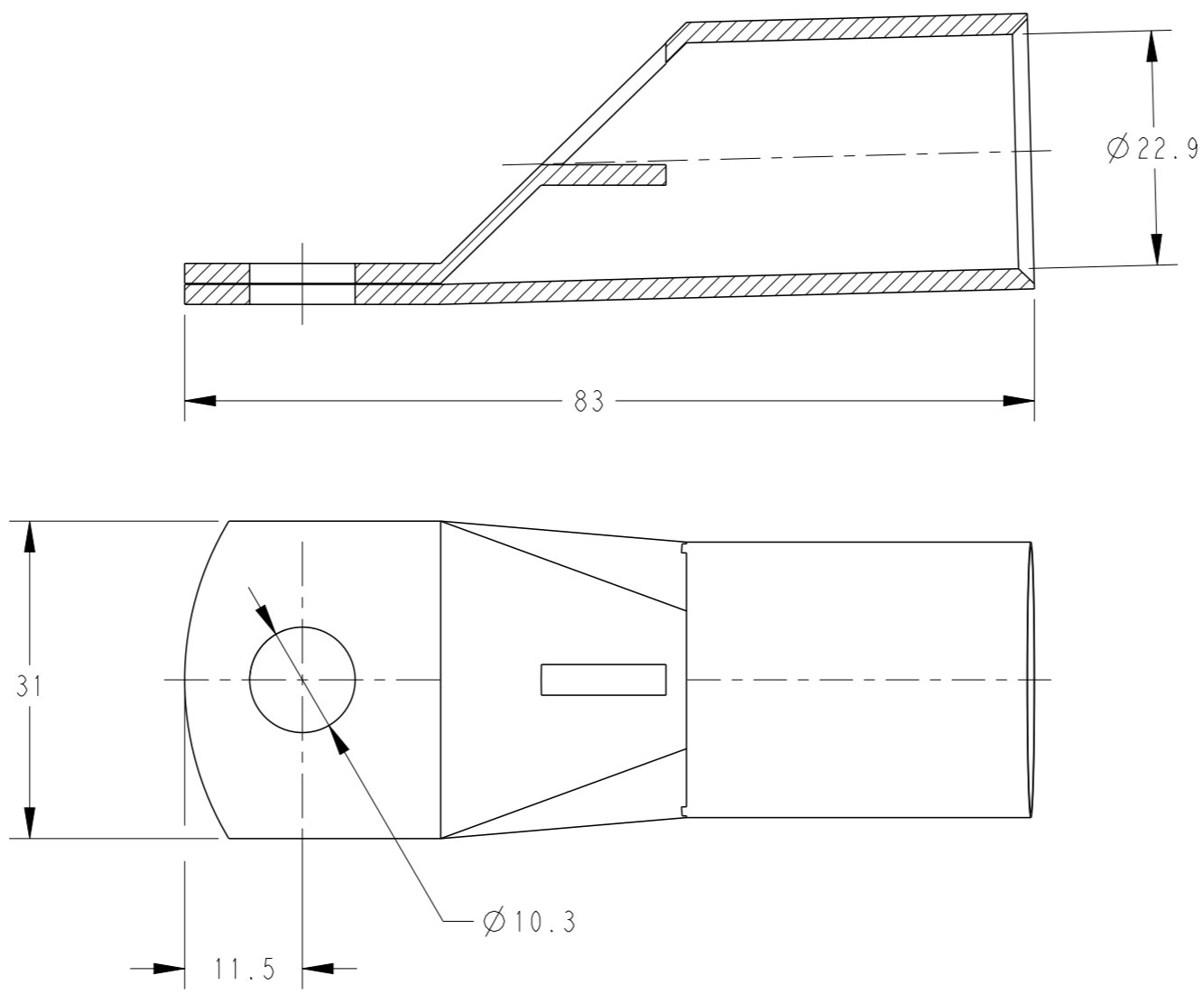


REVISIONS

P	LTR	DESCRIPTION	DATE	DWN	APVD
	A	INITIAL RELEASE	17DEC2020	RS	NA



TCPN	DESCRIPTION	CROSS SECTION (mm ²)
708465-1	XCT.C 300-10	300

THIS DRAWING IS A CONTROLLED DOCUMENT.		DWN RAVI.S 17DEC2020														
DIMENSIONS: mm		CHK L. JONATHAN 17DEC2020														
TOLERANCES UNLESS OTHERWISE SPECIFIED:		APVD N. ALMEIDA 17DEC2020	NAME XCT.C 300-10													
<table border="1"> <tr><td>0 PLC</td><td>±-</td></tr> <tr><td>1 PLC</td><td>±-</td></tr> <tr><td>2 PLC</td><td>±-</td></tr> <tr><td>3 PLC</td><td>±-</td></tr> <tr><td>4 PLC</td><td>±-</td></tr> <tr><td>ANGLES</td><td>±-</td></tr> </table>		0 PLC	±-	1 PLC	±-	2 PLC	±-	3 PLC	±-	4 PLC	±-	ANGLES	±-	PRODUCT SPEC -	RESTRICTED TO -	
0 PLC	±-															
1 PLC	±-															
2 PLC	±-															
3 PLC	±-															
4 PLC	±-															
ANGLES	±-															
MATERIAL COPPER		FINISH TIN	APPLICATION SPEC -	SIZE A3												
		WEIGHT 97 g	CAGE CODE 00779	DRAWING NO C-708465												
CUSTOMER DRAWING			SCALE NTS	SHEET 1 OF 1												
			REV A													