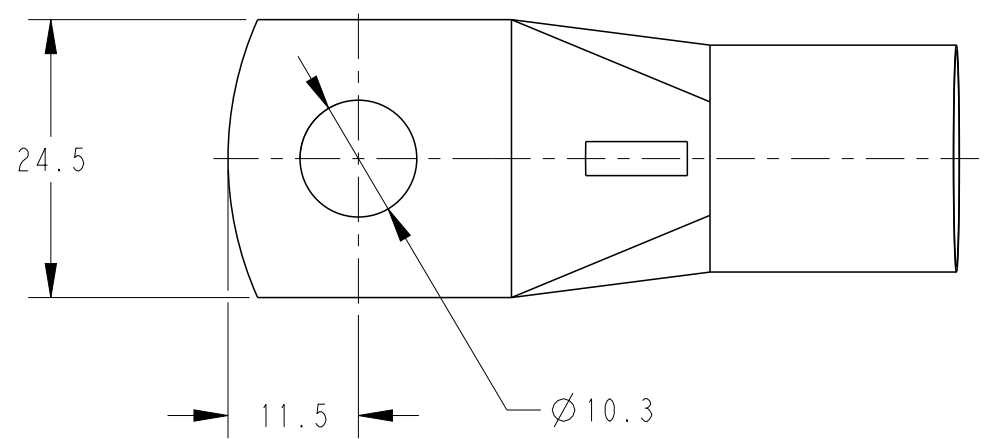
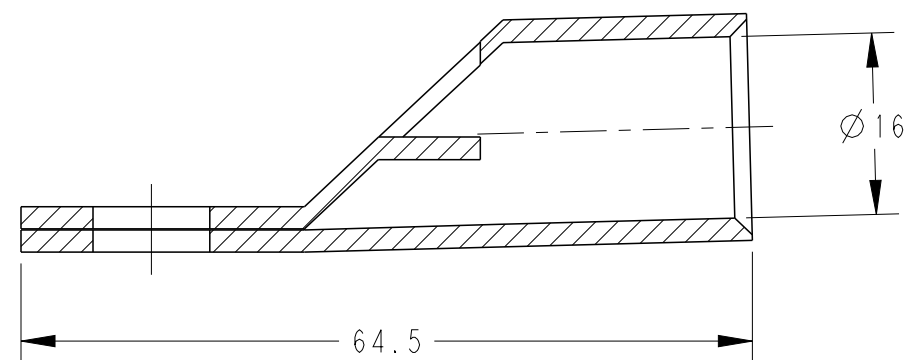


REVISIONS

P	LTR	DESCRIPTION	DATE	DWN	APVD
	A	INITIAL RELEASE	17DEC2020	RS	NA



TCPN	DESCRIPTION	CROSS SECTION (mm ²)
708462-1	XCT.C 150-10	150

THIS DRAWING IS A CONTROLLED DOCUMENT.		DWN RAVI.S 17DEC2020														
DIMENSIONS: mm		CHK L. JONATHAN 17DEC2020														
TOLERANCES UNLESS OTHERWISE SPECIFIED:		APVD N. ALMEIDA 17DEC2020														
<table border="1"> <tr> <td>0 PLC</td> <td>±-</td> </tr> <tr> <td>1 PLC</td> <td>±-</td> </tr> <tr> <td>2 PLC</td> <td>±-</td> </tr> <tr> <td>3 PLC</td> <td>±-</td> </tr> <tr> <td>4 PLC</td> <td>±-</td> </tr> <tr> <td>ANGLES</td> <td>±-</td> </tr> </table>		0 PLC	±-	1 PLC	±-	2 PLC	±-	3 PLC	±-	4 PLC	±-	ANGLES	±-	PRODUCT SPEC -	NAME XCT.C 150-10	
0 PLC	±-															
1 PLC	±-															
2 PLC	±-															
3 PLC	±-															
4 PLC	±-															
ANGLES	±-															
MATERIAL COPPER		FINISH TIN	APPLICATION SPEC -	RESTRICTED TO -												
		WEIGHT 54 g	SIZE A3	CAGE CODE 00779												
		CUSTOMER DRAWING	DRAWING NO C=708462	SCALE NTS												
			SHEET 1 OF 1	REV A												