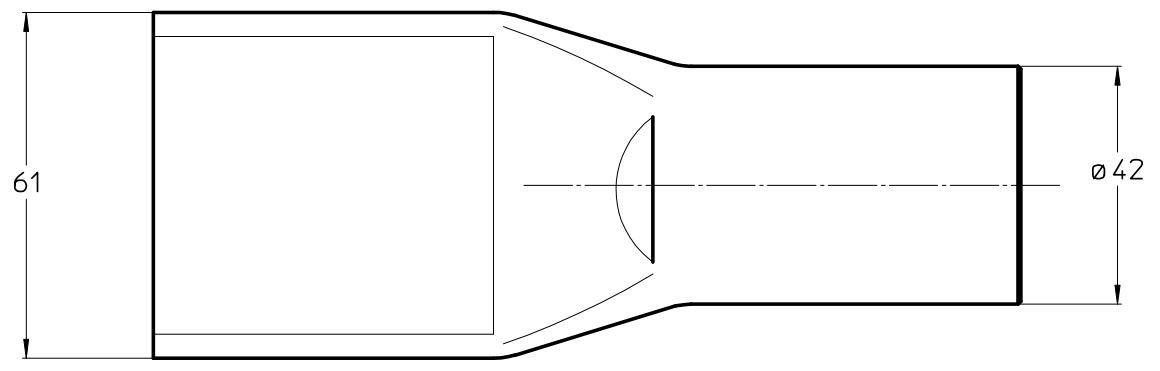
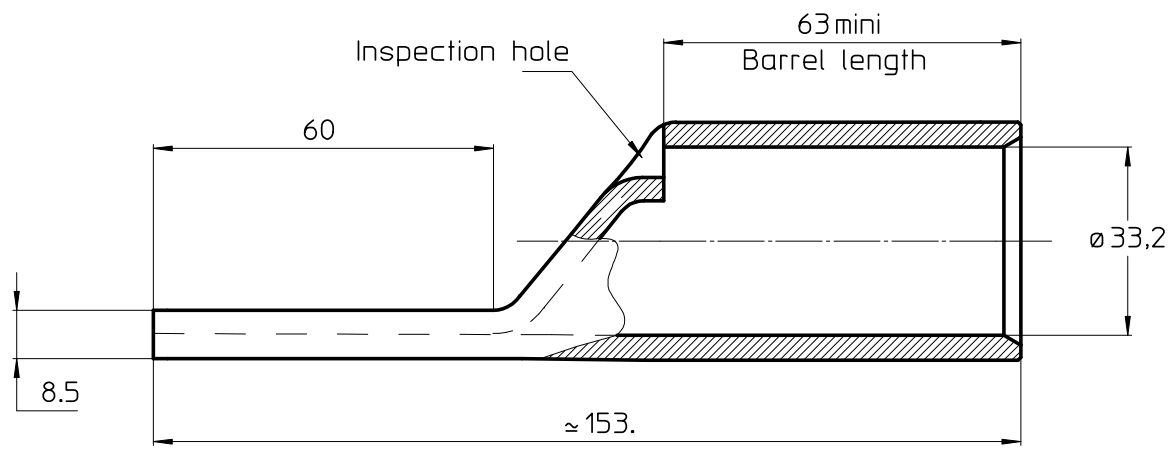


THIS DRAWING IS UNPUBLISHED.
 DIFFUSION RESTREINTE
 © COPYRIGHT 2011 by Tyco Electronics Corporation
 RELEASED FOR PUBLICATION
 LIBRE A LA DIFFUSION
 2011
 ALL RIGHTS RESERVED.
 TOUS DROITS RESERVES

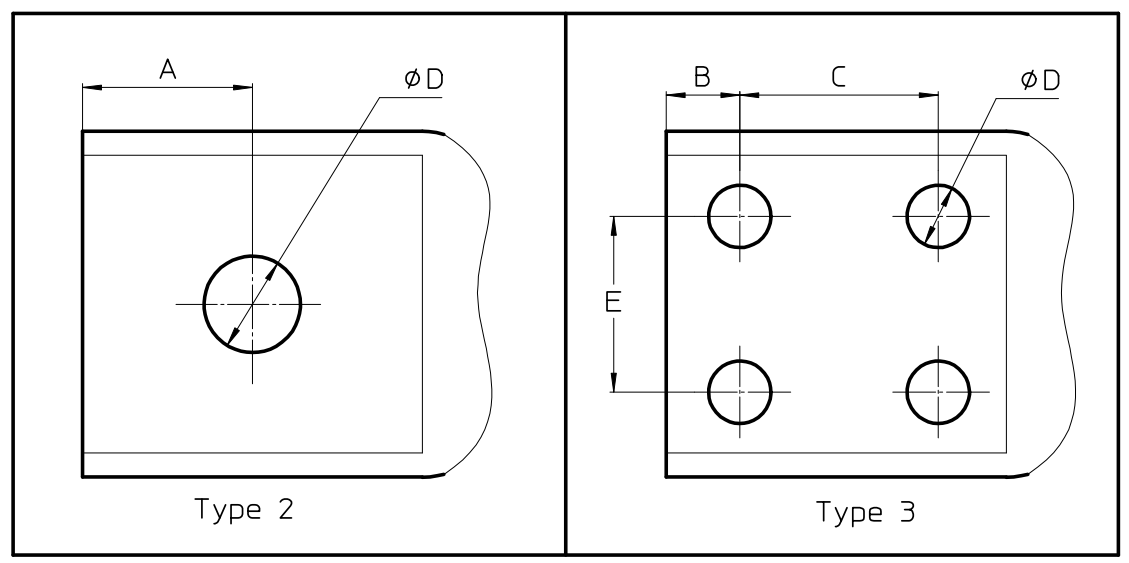
LOC	DIST	REVISIONS				
P	LTR REV	DESCRIPTION MODIFICATIONS	DATE	DWN DESS	APVD APPR	
-	-	A	CREATION	27 JUL 2011	LP GN	



Type 1

XDT 630/60x61-D21	1-708371-2	2	30	/	/	21	/
XDT 630/60x61-D14	1-708371-1	2	30	/	/	14	/
XDT 630/60x61-D24,5	1-708371-0	2	30	/	/	24,5	/
XDT 630/60x61-4D11x30	708371-7	3	/	15	30	11	30
XDT 630/60x61-D14,5	708371-6	2	30	/	/	14,5	/
XDT 630/60x61-D16,5	708371-5	2	30	/	/	16,5	/
XDT 630/60x61-4D12,8x30	708371-4	3	/	15	30	12,8	30
XDT 630/60x61-4D9x30	708371-3	3	/	15	30	9	30
XDT 630/60x61R200	708371-2	3	/	17	25	10	35
XDT 630/60x61-NP	708371-1	1	/	/	/	/	/
DESCRIPTION	Part Number	Type	A	B	C	øD	E

Shapes and dimensions are purely indicative, for more details please consult Tyco Electronics SIMEL SAS




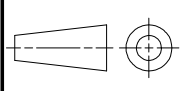
Type 2

Type 3

MATERIAL : TINNED COATED COPPER

MARKING : REFERENCE, DIE, LOGO, DATE
MADE IN FRANCE

CAPACITY : 630mm² Cu

THIS DRAWING IS A CONTROLLED DOCUMENT. <small>CE PLAN EST UN DOCUMENT CONTROLE PAR TYCO ELECTRONICS CORPORATION IL EST SUSCEPTIBLE D'ETRE REVISE POUR OBTENIR LA DERNIERE REVISION. CONTACTER LE SERVICE TECHNIQUE DE TYCO ELECTRONICS SIMEL SAS, 21720 GEVREY-CHAMBERTIN, FRANCE.</small>		DWN /DESSINE L.PETRIGNET 27 JUL 2011		 TE connectivity SIMEL PRODUCTS	
DIMENSIONS: mm		CHK/VERIFIE E.DEREY			
TOLERANCES UNLESS OTHERWISE SPECIFIED PER TOLERANCES NON SPECIFIEES SELON : -		APVD/APPROUVE G.NEDELLEC		SIZE FORMAT A3	
MATERIAL MATIERE		FINISH FINITION -		CAGE CODE 00779	
		PRODUCT SPEC SPEC. PRODUIT -		DRAWING NO No PLAN C=708371	
		APPLICATION SPEC SPEC. APPLICATION -		RESTRICTED TO RESERVE A -	
		WEIGHT MASSE APPROX. -		UNIQUEMENT POUR REFERENCE	
		CUSTOMER DRAWING /PLAN CLIENT		SCALE ECHELLE -	
				SHEET FEUILLE 1 OF 1	
				REV A	