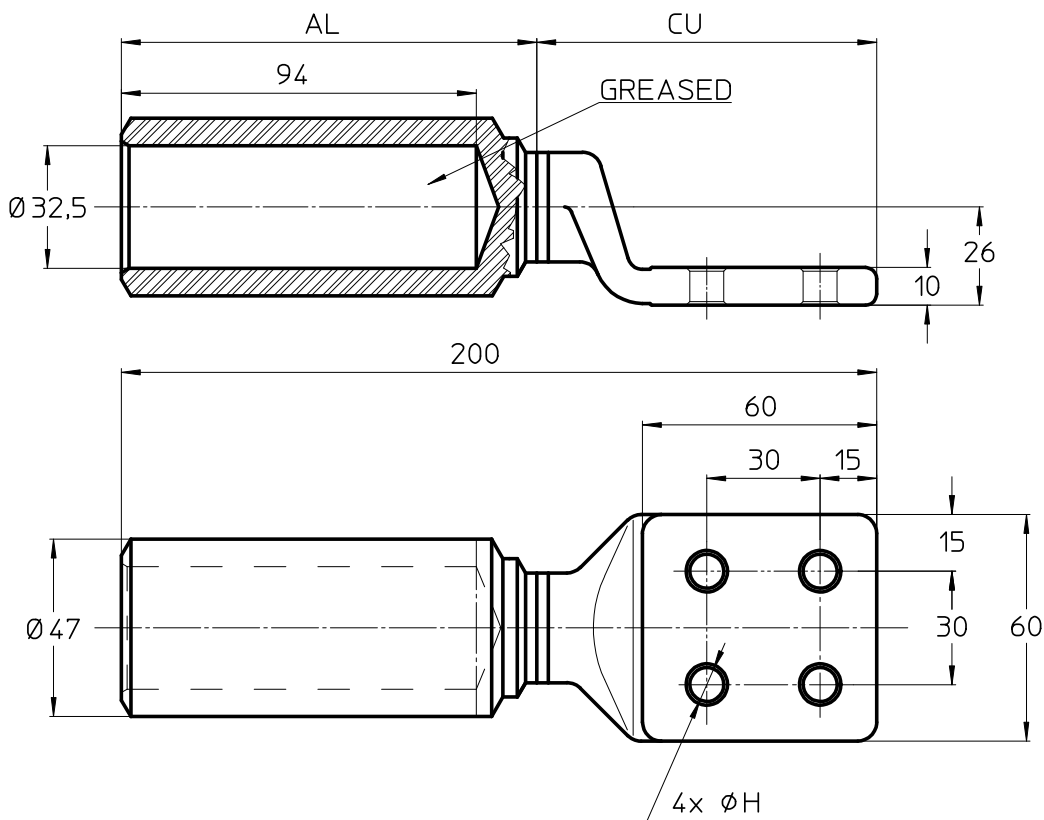


LOC	DIST	REVISIONS					
		P	LTR REV	DESCRIPTION MODIFICATIONS	DATE	DWN DESS.	APVD APPR
-	-		B	CREATION (WAS 08PFF0100)	19APR2011	BM	NA



XDX 630 C6AU 630 60X60 4D10X30	708270-7	Ø10	MC6E-6E
XDX 630 C6AU 630	708270-2	Ø9	MC6E-6E
DESCRIPTION	PART NUMBER	ØH	DIE

MARKING: DESCRIPTION; LOGO; LOT
 MATERIAL: ALUMINIUM & COPPER

2011




RELEASED FOR PUBLICATION
 LIBRE A LA DIFFUSION

ALL RIGHTS RESERVED.
 TOUS DROITS RESERVES

BY TYCO ELECTRONICS CORPORATION

© COPYRIGHT 2011

THIS DRAWING IS UNPUBLISHED.
 DIFFUSION RESTREINTE

DIMENSIONS: mm	DWN /DESSINE B. MILLOT 19APR2011	MATERIAL MATIERE -	FINISH FINITION -	
TOLERANCES UNLESS OTHERWISE SPECIFIED PER TOLERANCES NON SPECIFIEES SELON :-	CHK /VERIFIE E. DEREY -	 TE connectivity SIMEL PRODUCTS		
	APVD /APPROUVE N. ALMEIDA -			
 	PRODUCT SPEC SPEC. PRODUIT -	NAME TITRE XDX 630 C6AU 630		
	APPLICATION SPEC SPEC. APPLICATION -	SIZE FORMAT A4	CAGE CODE 00779	DRAWING NO No PLAN © =708270
	APPROX. WEIGHT MASSE APPROX. 0.8 kg	RESTRICTED TO RESERVE A -		
CUSTOMER DWG / PLAN CLIENT		UNIQUEMENT POUR REFERENCE	SCALE EHELLE 1:2	SHEET FEUILLE 1 OF 1 DE 1
				REV B