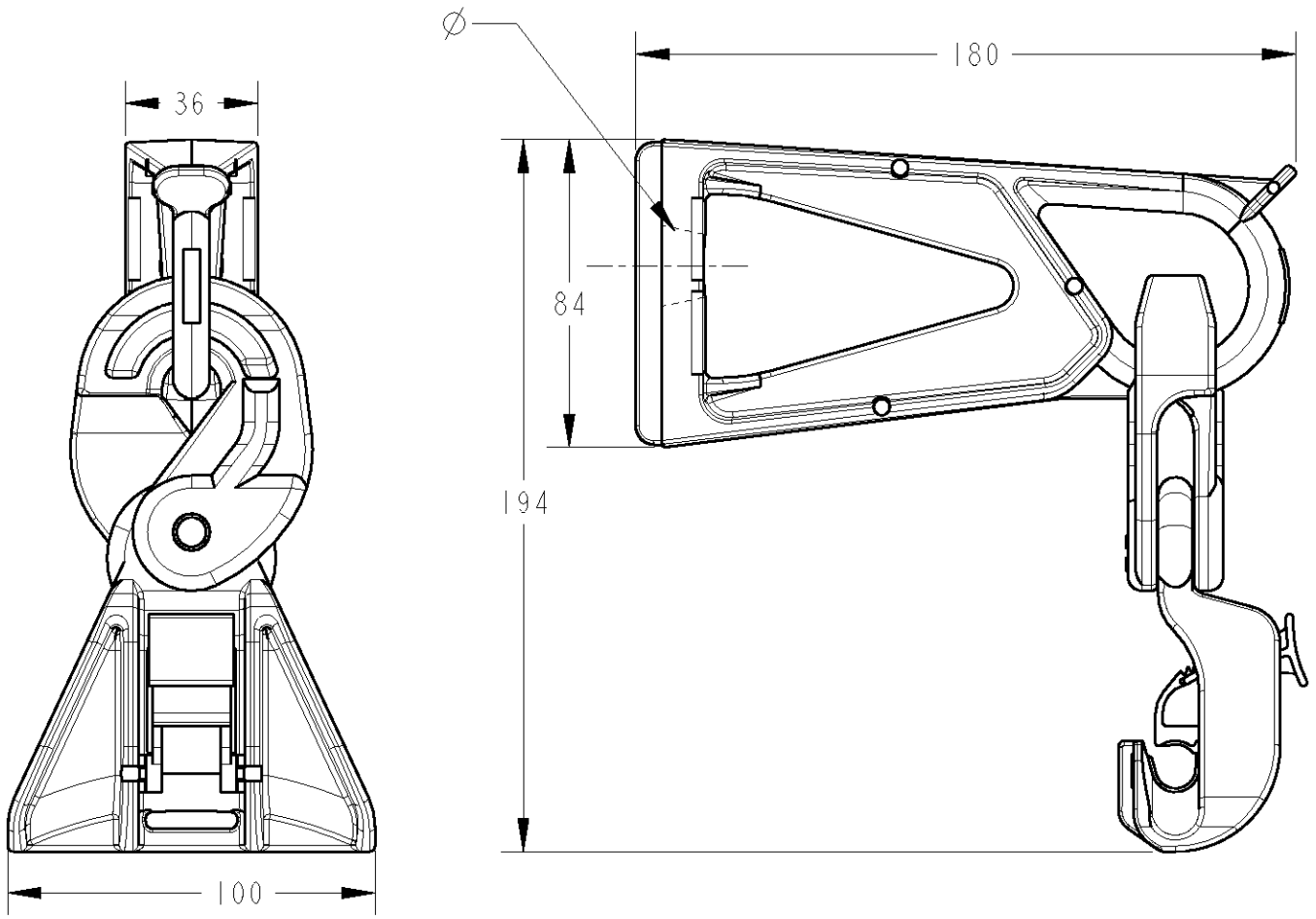


LOC		DIST		REVISIONS				
P	LTR REV	DESCRIPTION MODIFICATIONS			DATE	DWN DESS.	APVD APP.	
	0	CREATION			22NOV2004	RB	GP	



PN	DESCRIPTION	SYSTEME FUSIBLE BREAK OUT DEVICE	CONDITIONNEMENT PACKING	Ø
708010-1	ES 1500	NO	1	17
708010-2	ES 1500 x 25	NO	25	17
708010-3	ES 1500/18 x 25	NO	25	20
708010-4	ESF 54/70	YES	1	17

20  
 RELEASED FOR PUBLICATION  
 LIBRE A LA DIFFUSION  
 THIS DRAWING IS UNPUBLISHED.  
 DIFFUSION RESTREINTE  
 BY TYCO ELECTRONICS CORPORATION. ALL RIGHTS RESERVED.  
 TOUTS DROITS RESERVES.  
 COPYRIGHT 20

TOLERANCES UNLESS OTHERWISE SPECIFIED	-
TOLERANCES NON SPECIFIEES	-
FINISH	-
MATIERE	-

DIMENSIONS: mm

TOLERANCES UNLESS OTHERWISE SPECIFIED / TOLERANCES NON SPECIFIEES (SUIV NR DE DECIMALES):

- 0 PLC/DEC: ±0
- 1 PLC/DEC: ±0.1
- 2 PLC/DEC: ±0.2
- 3 PLC/DEC: ±0.3
- 4 PLC/DEC: ±0.4

ANGLES ±

DWN/DESSINE	R. BUTHIOT	22NOV2004
CHK/VERIFIE	JM. BRIANCON	-
APVD/APPROUVE	G. PORCHERAY	-
PRODUCT SPEC	SPEC. PRODUIT	-
APPLICATION SPEC	SPEC. APPLICATION	-
WEIGHT	MASSE APPROX. 410g	

MATERIAL	-	NAME	TITRE
FINISH	-	ENSEMBLE DE SUSPENSION SUSPENSION CLAMP ASSEMBLY	
<b>tyco</b> <b>Electronics</b>		SIMEL 21220 Gevrey-Chambertin, FRANCE	

SIZE	CAGE CODE	DRAWING NO	RESTRICTED TO
FORMAT		No PLAN	RESERVE A
A4	00779	C=708010	-

CUSTOMER DRAWING	/PLAN CLIENT	UNIQUEMENT POUR REFERENCE	SCALE ECHELLE 1:2	SHEET FEUILLE 1	OF DE 1	REV 0
------------------	--------------	------------------------------	----------------------	--------------------	------------	----------