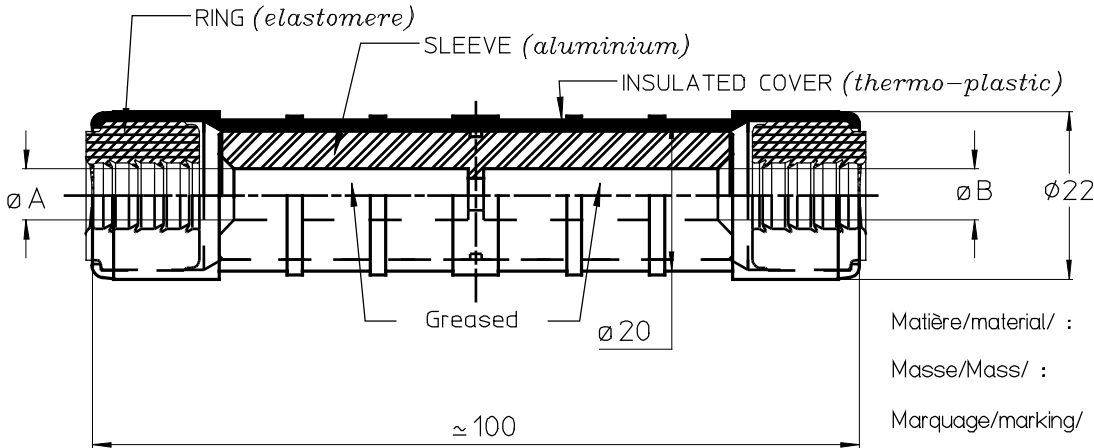


LOC	DIST	REVISIONS				
P	LTR REV	DESCRIPTION MODIFICATIONS	DATE	DWN DESS.	APVD APPR	
FH	00	F	MISE A JOUR PLAN/CARTOUCHE	24-Jun-08	FM	GP
		G	MISE A JOUR pour docmanager	24-Dec-08	CA	GP



Matière/material/ : NA
 Masse/Mass/ : NA
 Marquage/markings/ : reference,
 area,date,

Outillage/Die/ : E173

Number of crimps: 2x3 (width=9mm)

Conductors		Part Number	REFERENCE	Ø A	Ø B
Cond.A	Cond.B				
16	16	708357-2	MJPT 16	5.5	5.5
25	25	709357-3	MJPT 25	6.5	6.5
35	35	708007-2	MJPT 35	8	8
35	25	1-708007-2	MJPT 35-25	8	6.5
50	50	708007-3	MJPT 50	9	9
50	25	1-708007-1	MJPT 50-25	9	6.5
50	35	1-708007-0	MJPT 50-35	9	8
70	70	708007-7	MJPT 70	10.5	10.5
70	16	1-709357-8	MJPT 70-16	10.5	5.3
70	35	708007-5	MJPT 70-35	10.5	8
70	50	708007-8	MJPT 70-50	8	8
70	54	1-709357-7	MJPT 70-54	10.5	10
95	95	1-709357-3	MJPT 95	12.2	12.2
95	25	2-709357-4	MJPT 95-25	12.2	6.5
95	35	2-709357-3	MJPT 95-35	12.2	8
95	50	1-709357-6	MJPT 95-50	12.2	9
95	70	1-709357-5	MJPT 95-70	12.2	10.5

RING COLOR CODE:

- 16: blue
- 25: orange
- 35: red
- 50: yellow
- 54: black
- 70: white
- 95: grey

RELEASED FOR PUBLICATION

ALL RIGHTS RESERVED.
TOUS DROITS RESERVES

BY TYCO ELECTRONICS CORPORATION

COPYRIGHT 2007

THIS DRAWING IS UNPUBLISHED.
DIFFUSION RESTREINTE

©

DIMENSIONS: mm	DWN /DESSINE C.ANDRE	24-Dec-08	MATERIAL MATIERE	-	FINISH FINITION	-
	CHK /VERIFIE L.MAINIER	-	 SIMEL PRODUCTS			
TOLERANCES UNLESS OTHERWISE SPECIFIED PER TOLERANCES NON SPECIFIEES SELON :-	APVD /APPROUVE G.PORCHERAY	-				
	PRODUCT SPEC SPEC. PRODUIT	-	(sleeve for phase conductors of LV-ABC systems with neutral messenger)			
APPLICATION SPEC SPEC. APPLICATION	-	SIZE FORMAT	CAGE CODE	DRAWING NO No PLAN	RESTRICTED TO RESERVE A	
APPROX. WEIGHT MASSE APPROX.	-	A4	00779	© =708007	-	
CUSTOMER DWG / PLAN CLIENT			UNIQUEMENT POUR REFERENCE	SCALE ECHELLE 1:1	SHEET FEUILLE 1 OF 1 DE 1	REV G