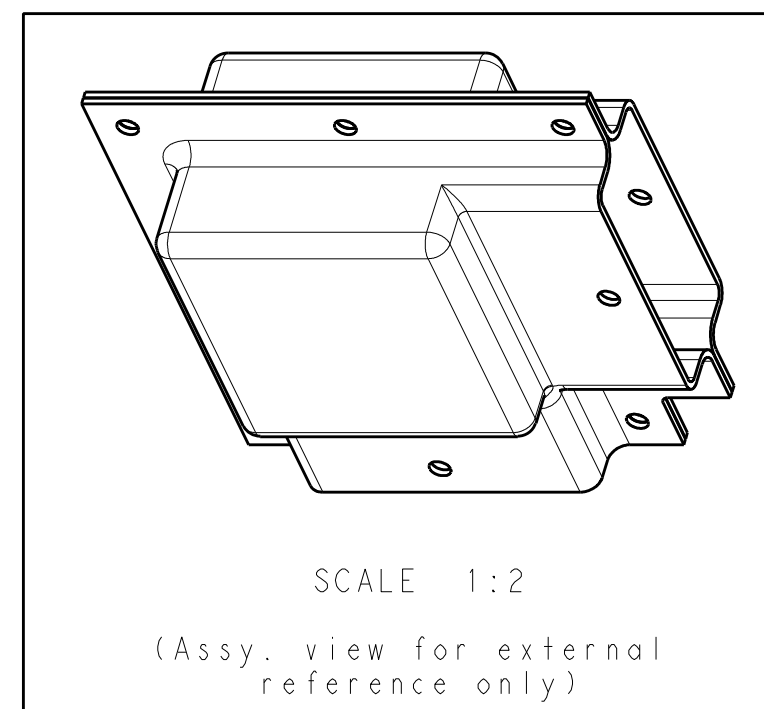
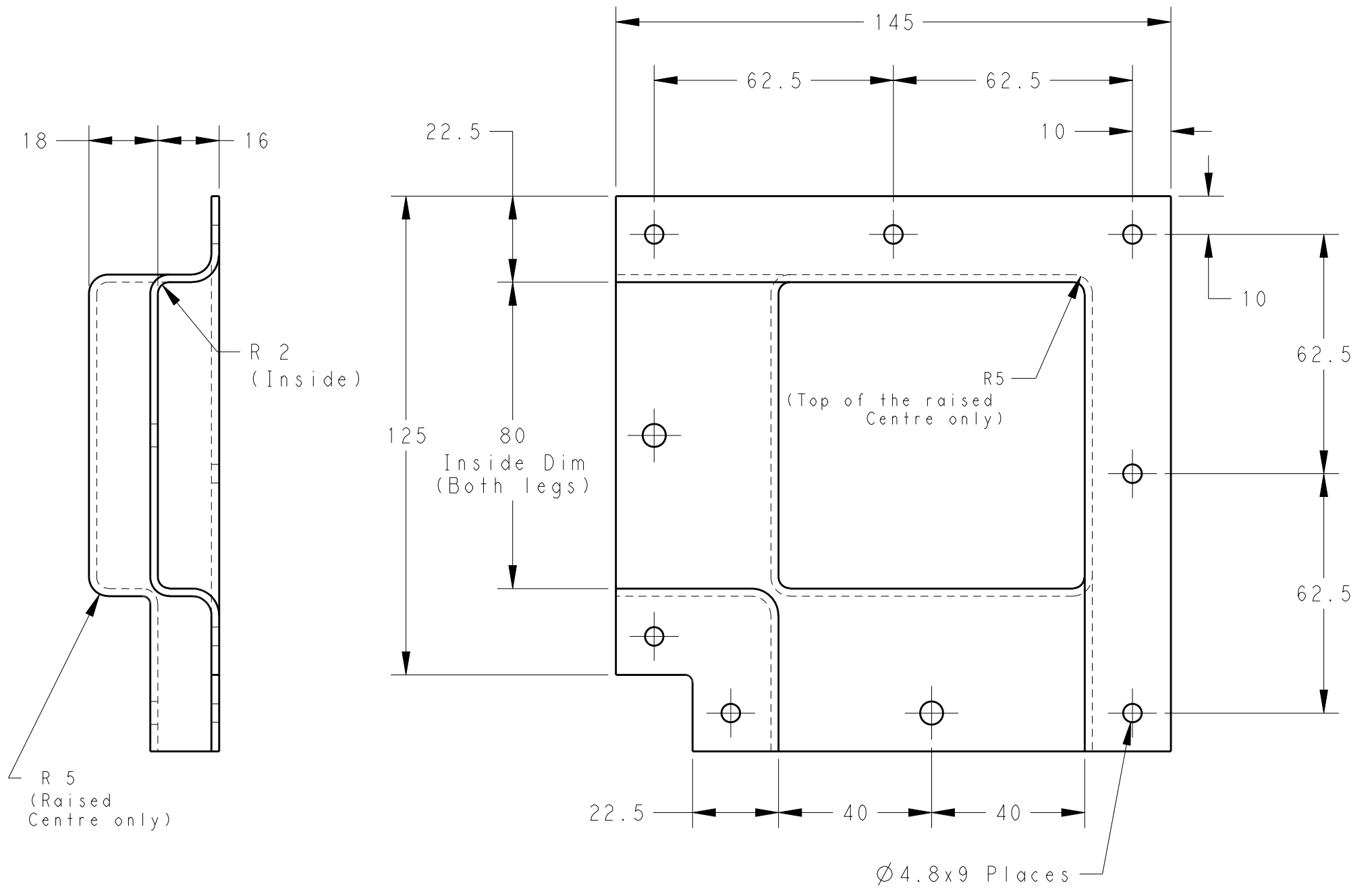


THIS DRAWING IS UNPUBLISHED. RELEASED FOR PUBLICATION 20
 © COPYRIGHT 20 BY TYCO ELECTRONICS CORPORATION ALL RIGHTS RESERVED.

LOC		DIST		REVISIONS			
P	LTR	DESCRIPTION		DATE	DWN	APVD	
-	-	A	Hole Size Changes from 6mm to 4.8mm and Note No.3 Changes.	04SEP2012	V.P	I.B	



THIS DRAWING IS A CONTROLLED DOCUMENT.		DWN Vishnu 27JUN2012	TE Connectivity	
DIMENSIONS: mm		CHK I. Bond 27JUN2012		
		APVD I. Bond 27JUN2012		
TOLERANCES UNLESS OTHERWISE SPECIFIED:		PRODUCT SPEC -	NAME BMOD-HV-075-L11-01(B12)	
0 PLC ± 1 PLC ±0.5 2 PLC ±0.13 3 PLC ±0.013 4 PLC ±0.0091 ANGLES ±		APPLICATION SPEC -	RESTRICTED TO -	
MATERIAL -		WEIGHT -	SIZE A300779	CAGE CODE G-7-1899738-1
FINISH -		CUSTOMER DRAWING	SCALE 1:1	SHEET 1 OF 2 REV A

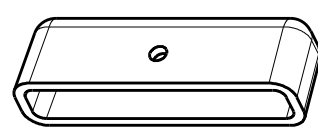
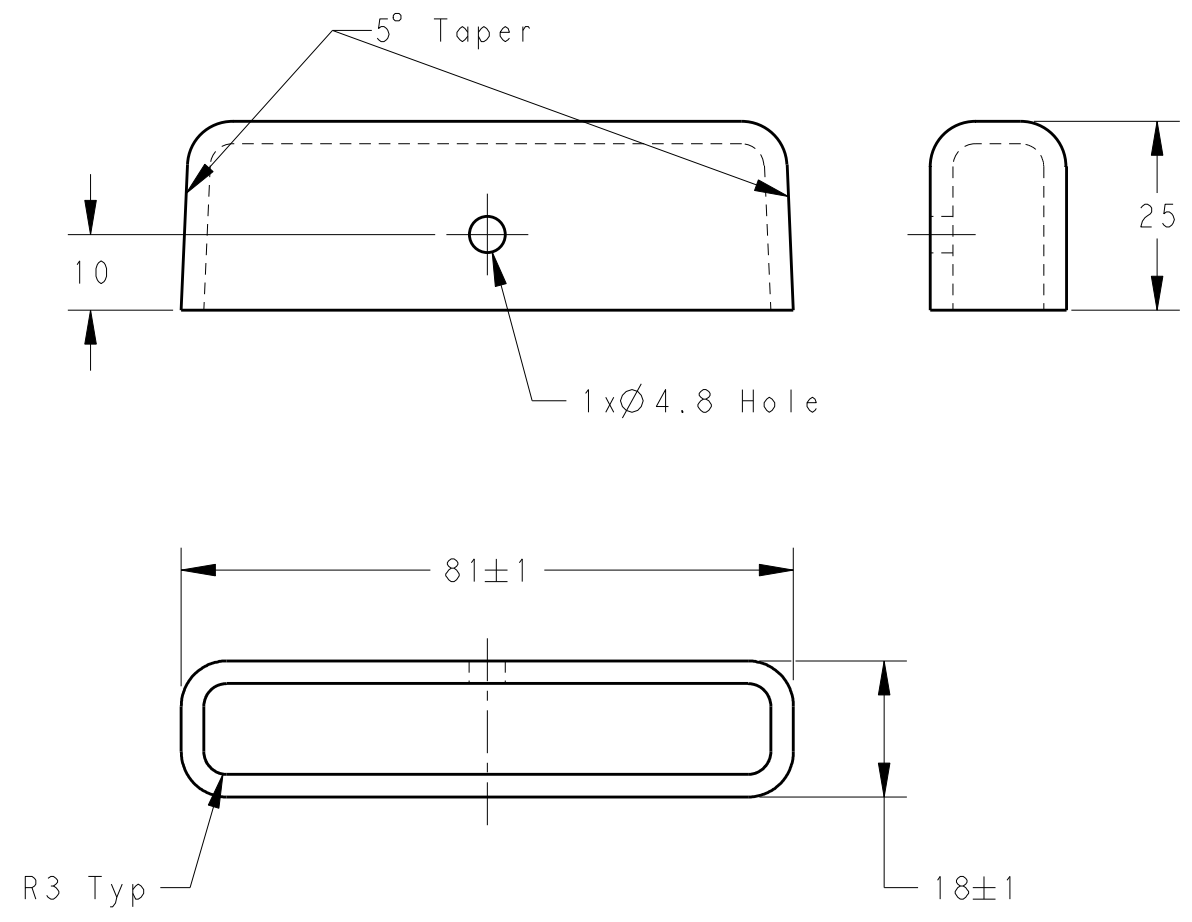
THIS DRAWING IS UNPUBLISHED. RELEASED FOR PUBLICATION 20
 © COPYRIGHT 20 BY TYCO ELECTRONICS CORPORATION ALL RIGHTS RESERVED.

LOC		DIST		REVISIONS		
P	LTR	DESCRIPTION	DATE	DWN	APVD	
-	-	SEE SHEET 1	-	-	-	


PLUG PIECE:

NOTES:

1. Parts shall be kitted 24pcs per box, 12 pairs of covers
2. Parts shall be supplied in the open position
3. Parts shall be kitted with 9 x LVIC-RIV-TS555
PCN: 319851-000, or with Raysulate equivalent part, per pair of covers.
4. 2 x Plugs to be kitted per pair of covers
5. Parts shall be kitted with Installation Instruction: ESD-6065-6/12 per box.



SCALE 1:2
 (Isometric view for external reference only)

THIS DRAWING IS A CONTROLLED DOCUMENT.		DWN Vishnu 27JUN2012	 TE Connectivity													
DIMENSIONS: mm		CHK I. Bond 27JUN2012														
TOLERANCES UNLESS OTHERWISE SPECIFIED:		APVD I. Bond 27JUN2012	NAME BMOD-HV-075-L11-01(B12)													
<table border="1"> <tr><td>0 PLC</td><td>±</td></tr> <tr><td>1 PLC</td><td>±0.5</td></tr> <tr><td>2 PLC</td><td>±0.13</td></tr> <tr><td>3 PLC</td><td>±0.013</td></tr> <tr><td>4 PLC</td><td>±0.0004</td></tr> <tr><td>ANGLES</td><td>±</td></tr> </table>		0 PLC	±	1 PLC	±0.5	2 PLC	±0.13	3 PLC	±0.013	4 PLC	±0.0004	ANGLES	±	PRODUCT SPEC -	SIZE A300779	
0 PLC	±															
1 PLC	±0.5															
2 PLC	±0.13															
3 PLC	±0.013															
4 PLC	±0.0004															
ANGLES	±															
MATERIAL -		APPLICATION SPEC -	CAGE CODE C-7-1899738-1													
FINISH -		WEIGHT -	DRAWING NO G-7-1899738-1													
		CUSTOMER DRAWING	SCALE 1:1	SHEET 2 OF 2												
				REV A												