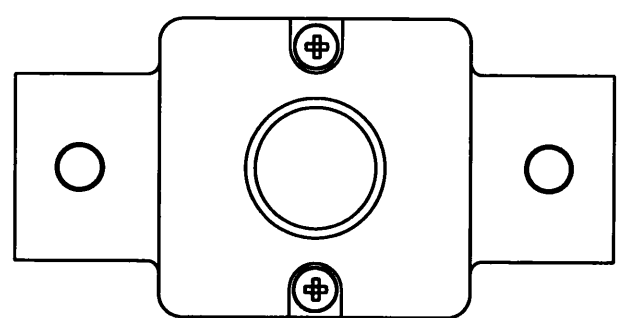
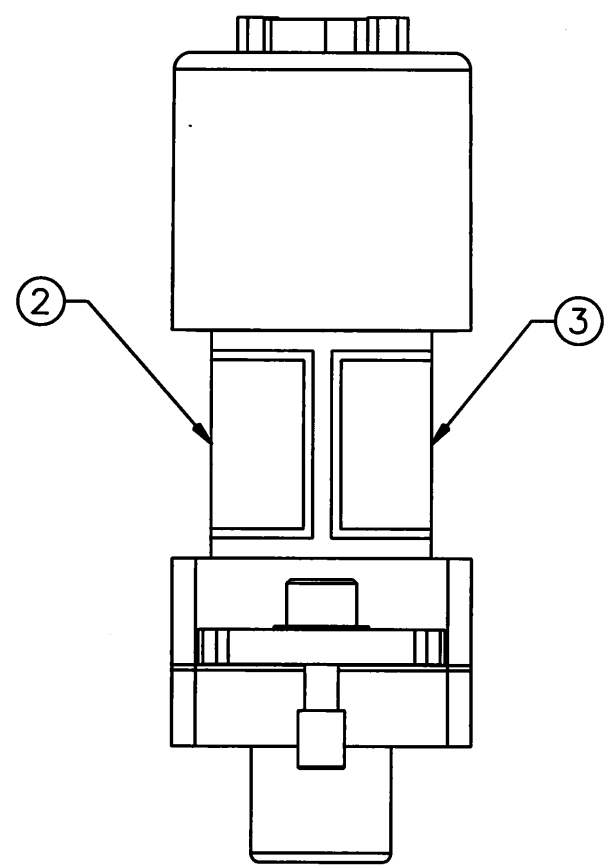
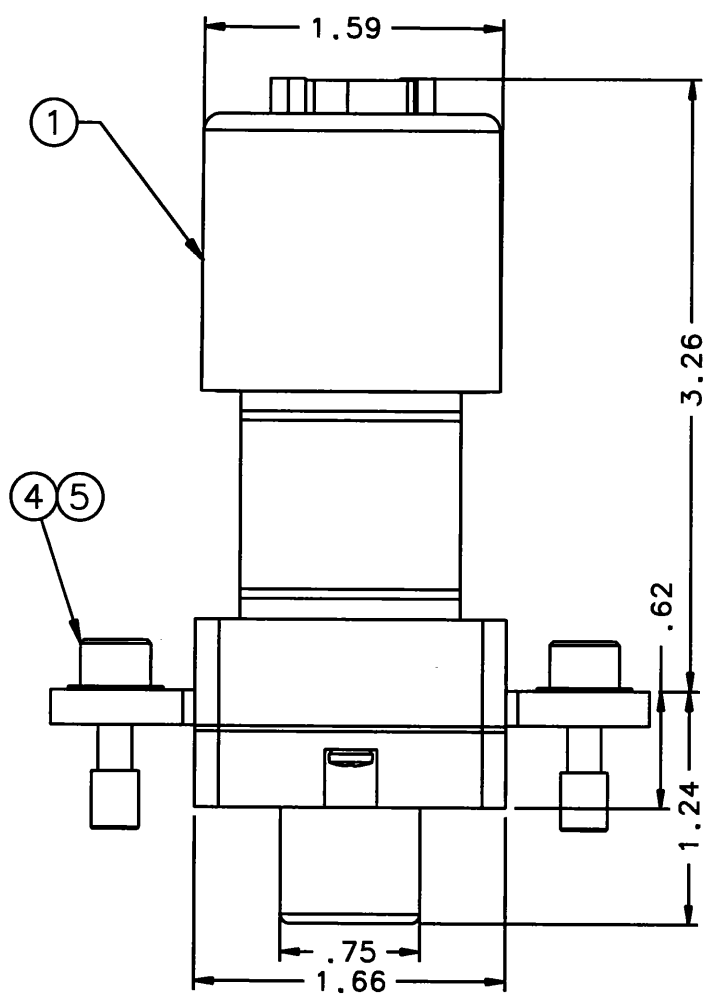
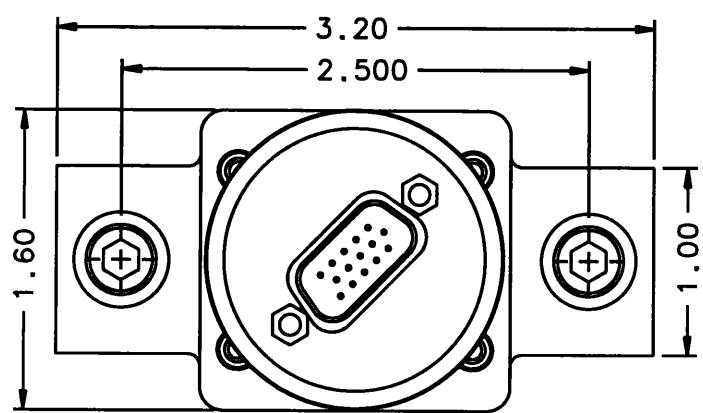


REVISIONS		RELEASED	
SYM	DESCRIPTION	DATE	APPROVED
A	- CHANGED PINOUTS; REMOVED MTG. HARDWARE	04/04/28	EW
B	- ADDED CAPTIVE FINISH HARDWARE	04/05/10	EW
C	0605-04 REMOVED PRELIMINARY	04/07/27	CB
D	06-003656 ITEM 2 WAS 47596-001	06/01/31	CB



NOTES:
 1. INSTALLATION TORQUE 56 IN. LBS.
 2. CONTACTOR MEETS MATERIAL AND WORKMANSHIP REQUIREMENTS OF MIL-PRF-6106L.

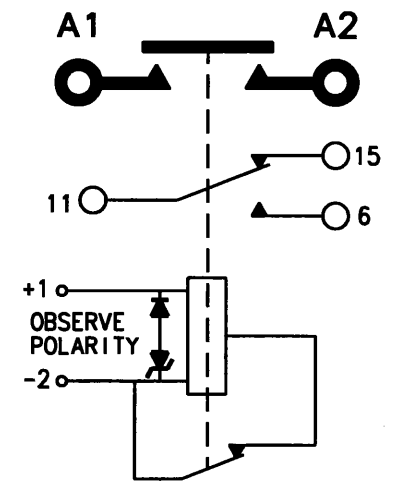
CONSTRUCTION
 MAIN CONTACTS
 CONFIGURATION SPST N.O. (DOUBLE BREAK)
 VOLTAGE 28 VDC
 CURRENT 500 AMPS
 RESISTIVE RUPTURE 5000 AMPS
 VOLTAGE DROP 150 mV MAX AT 500 AMPS

AUXILIARY CONTACTS
 CONFIGURATION 1 SPDT
 VOLTAGE 28 VDC
 CURRENT 5 AMP MAX
 RESISTIVE

COIL DATA
 DUTY CYCLE CONTINUOUS (ECONOMIZED)
 NOM. OPERATE VOLTAGE 28 VDC
 MAX. PICKUP VOLTAGE 18 VDC
 DROPOUT VOLTAGE 1-7 VDC

ENVIRONMENTAL DATA
 TEMPERATURE -55°C TO 85°C
 ALTITUDE 50,000 FT.
 LIFE ELECTRICAL 50,000 CYCLES
 LIFE MECHANICAL 100,000 CYCLES
 WEIGHT, MAX .86 LBS

GASKET SEALED



5	2	47362-001	1/4" INT. HEX TERMINAL SCREW			SS
4	2	51807-340	1/4" WAVE-SPRING WASHER			BeCu
3	1	47597-001	PLATE-SCHEMATIC			
2	1	16043-001	PLATE-NAME			
1	1	46095-050	CONTACTOR ASSEMBLY-PRIMARY			
FIND NO	QTY REQD	PART OR IDENTIFYING NO	NOMENCLATURE OR DESCRIPTION	CAGE NO	DRAWING OR SPECIFICATION	MATERIAL OR NOTE
UNLESS OTHERWISE SPECIFIED DIMENSIONS ARE IN INCHES TOLERANCES ON			 Hartman Division • 175 N. DUNDON STREET • WINDYFIELD, OHIO 45089			
2 PL DEC. J3	3 PL DEC. J4	ANGLES				
MATERIAL			ENGR EW 04/05/10	MFG WW 04/05/10	B 74063	
SCALE NONE			SHEET		REF TYCO P/N 7-1616927-0	