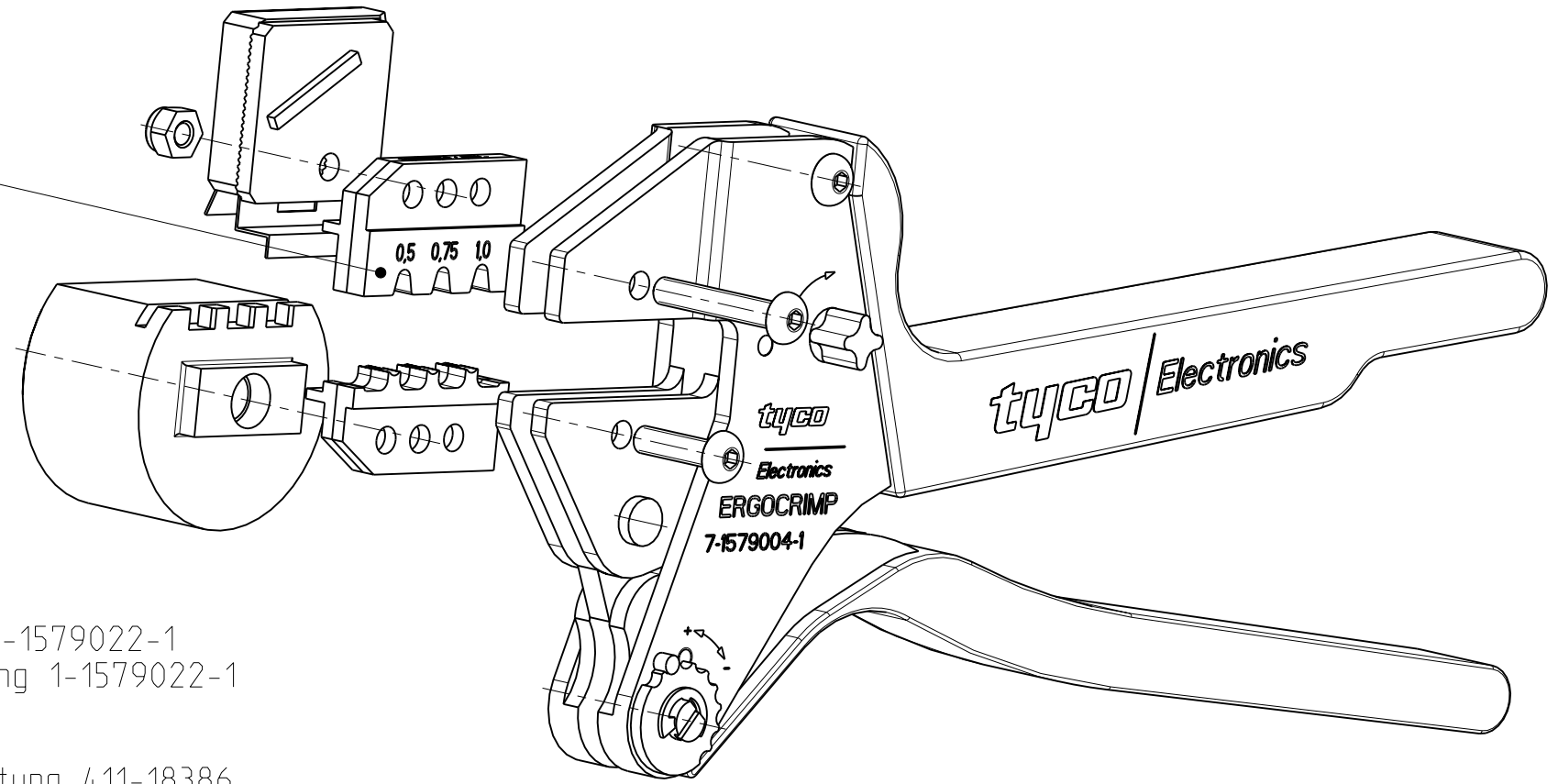


THIS DRAWING IS UNPUBLISHED. RELEASED FOR PUBLICATION 2007
 © COPYRIGHT 2007 BY TYCO ELECTRONICS CORPORATION. ALL RIGHTS RESERVED.

LOC	DIST	REVISIONS			
P	LTR	DESCRIPTION	DATE	DWN	APVD
A1	-	A1	ECR-07-029259	11DEC2007	KL. -

ERGOCRIMP HAND TOOL FOR MPQ-SOCKET TERMINAL 0,50-1,00 mm²

Ergocrimp Matrize als Ersatzteil erhaeltlich
 Tyco Electronics Nr.: 1-1579022-1
 Ergocrimp die set as spare part available
 Tyco Electronics No. 1-1579022-1



Einzelteile der Ergocrimp Matrize bestellbar. Siehe Zeichnung 1-1579022-1
 Spare parts of the Ergocrimp die set are available. See drawing 1-1579022-1

Handzange mit Matrize zusammengebaut und mit Bedienungsanleitung 411-18386
 im Karton verpackt
 Hand tool assembled with die set and packed with instruction sheet 411-18386
 in a cardboard

Kontakt	DGB (mm ²)	Drahtcrimp / Wire Crimp		Isolationscrimp/Insulationcrimp		Isol.Ø	Betriebsanl.
Contact	Wire Range	Hoehe/Height (mm)	Breite/Width (mm)	Hoehe/Height (mm)	Breite/Width (mm)	Ins.Range	Instr.Sheet
929156	0.50	1.18±0.05	2.03 F	2.10±0.15	2.54 0	1.40-1.60	411-18386
	0.75	1.27±0.05		2.24±0.15		1.70-1.90	
	1.00	1.36±0.05		2.44±0.15		1.90-2.10	

<small>THIS DRAWING IS A CONTROLLED DOCUMENT FOR TYCO ELECTRONICS CORPORATION IT IS SUBJECT TO CHANGE AND THE CONTROLLING ENGINEERING ORGANIZATION SHOULD BE CONTACTED FOR THE LATEST REVISION.</small>		DWN R.KLAWONN 20MAR2007 CHK C.WITT 20MAR2007 APVD - PRODUCT SPEC - APPLICATION SPEC - WEIGHT -		tyco Electronics AMP GmbH 64625 Bensheim (Germany)	
DIMENSIONS: mm 		TOLERANCES UNLESS OTHERWISE SPECIFIED: 0 PLC ±- 1 PLC ±- 2 PLC ±- 3 PLC ±- 4 PLC ±- ANGLES ±1° MATERIAL - FINISH -		NAME ERGOCRIMP HAND TOOL FOR MPQ-SOCKET TERMINAL 0,50-1,00 mm²	
MATERIAL -		CUSTOMER DRAWING		SIZE A3 CAGE CODE 00779 DRAWING NO. ©7-1579004-1	RESTRICTED TO -
SCALE 1:1				SHEET 1 OF 1	REV A1