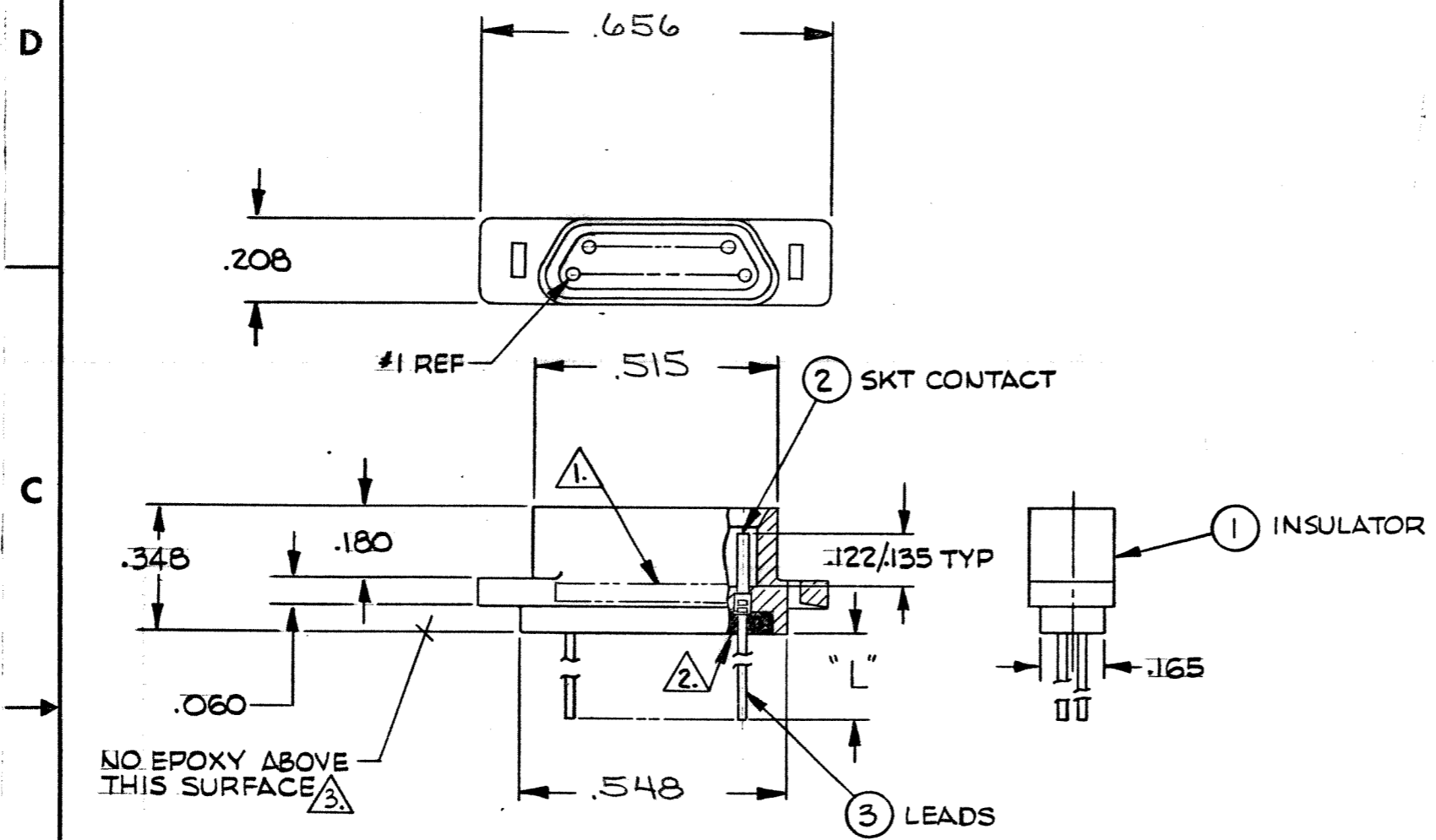
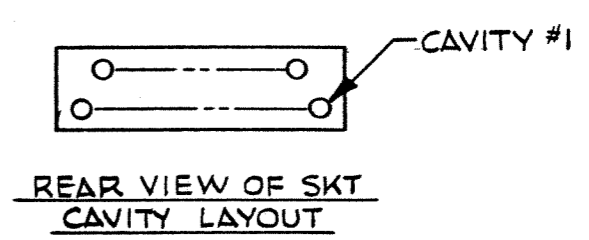


| REVISIONS | | | | | |
|-----------|-----|-------|-------------|-----------|----------|
| ZONE | LTR | ECO | DESCRIPTION | DATE | APPROVED |
| | A | 19891 | RELEASED | 7-8-75 MD | 9-10-75 |



- NOTES:**
- 1. MARK "MALCO" OR MALCO LOGO, PART NO. & DATE CODE WITH .047 MIN. HIGH CHARACTERS IN APPROX LOCATION SHOWN
 - 2. EPOXY AS SHOWN WITH HYSOL #4215 AND #3561
 - 3. EPOXY WICKING FROM THE REAR OF THE INSULATOR ON INSULATED LEADS MUST NOT EXCEED .125 MAX ON #25 AWG AND SMALLER LEADS AND .200 MAX ON #24AWG AND LARGER LEADS
 - 4. CRIMP LEADS INTO CONTACTS PER DWG. 096-0000-0024



Tyco Dwg 7-1532148-5
Micro P/N 095-0000-0313

| QTY REQD | CODE IDENT | PART OR IDENTIFYING NO. | NOMENCLATURE OR DESCRIPTION |
|---|----------------|---|-----------------------------|
| PARTS LIST | | | |
| UNLESS OTHERWISE SPECIFIED DIMENSIONS ARE IN INCHES TOLERANCES ARE: FRACTIONS DECIMALS ANGLES ± 1/64 .XX ± .01 ± 0°-30' | | CONTRACT NO. | |
| MATERIAL | | APPROVALS | DATE |
| FINISH | | DRAWN M. DABROWSKI 7-8-75 | |
| NEXT ASSY | | CHECKED [Signature] 7-8-75 | |
| USED ON | | PR. ENG. [Signature] 7-8-75 | |
| APPLICATION | | APPD. [Signature] 7-8-75 | |
| DO NOT SCALE DRAWING | | MALCO A MICRODOT COMPANY, INC. 220 PASADENA AVE., SO. PASADENA, CALIF. 91030 RACK AND PANEL CONN. MCDG2-15 S CLIP MOUNTING PROD. CODE 824 CODE | |
| SIZE | CODE IDENT NO. | DRAWING NO. | |
| B | 98278 | 095-0000-0313 | |
| SCALE NONE | | | SHEET 1 OF 1 |