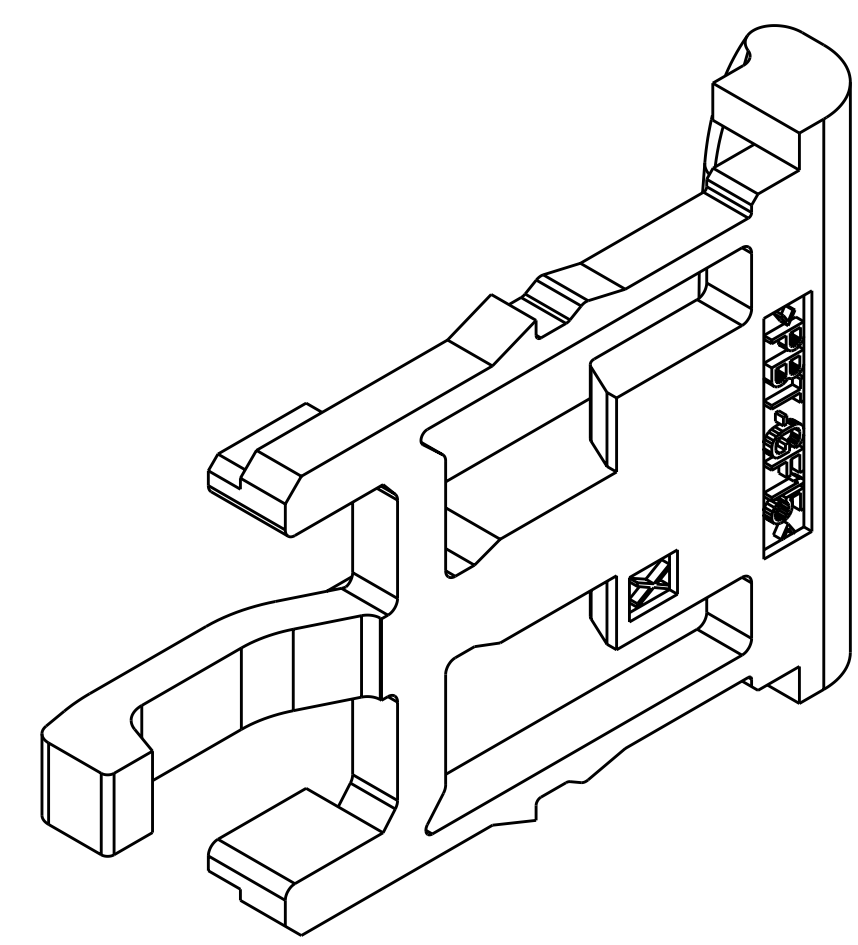
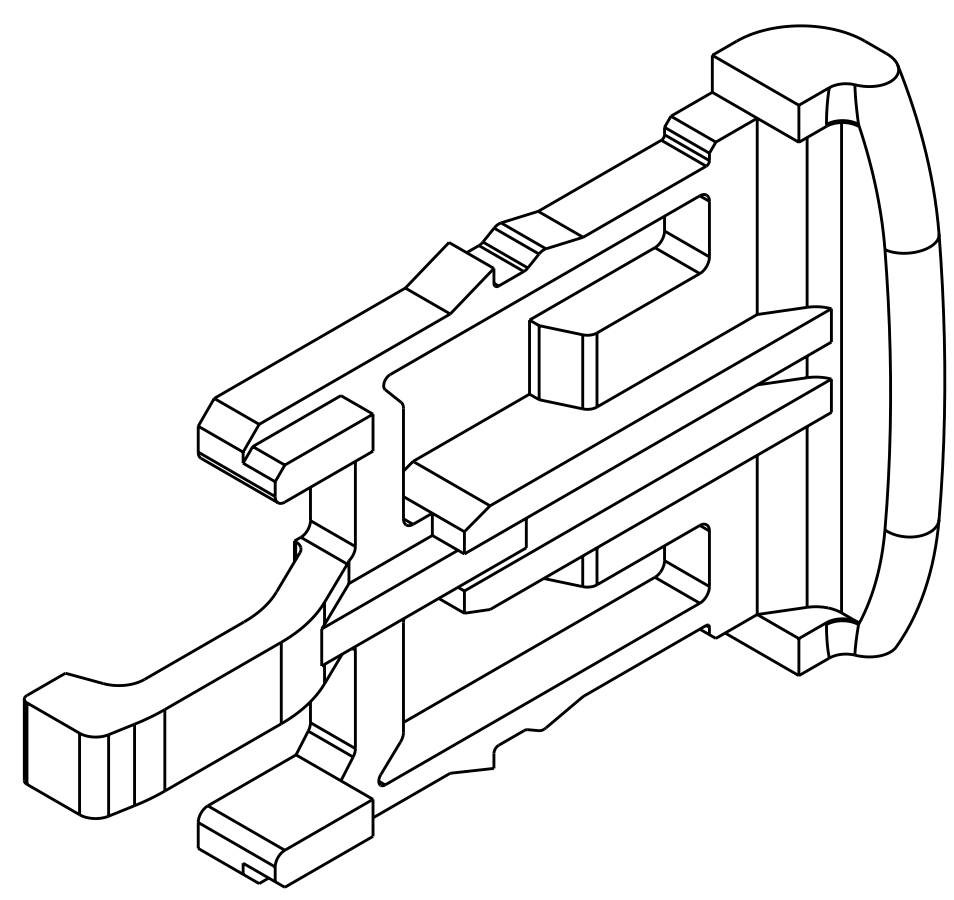
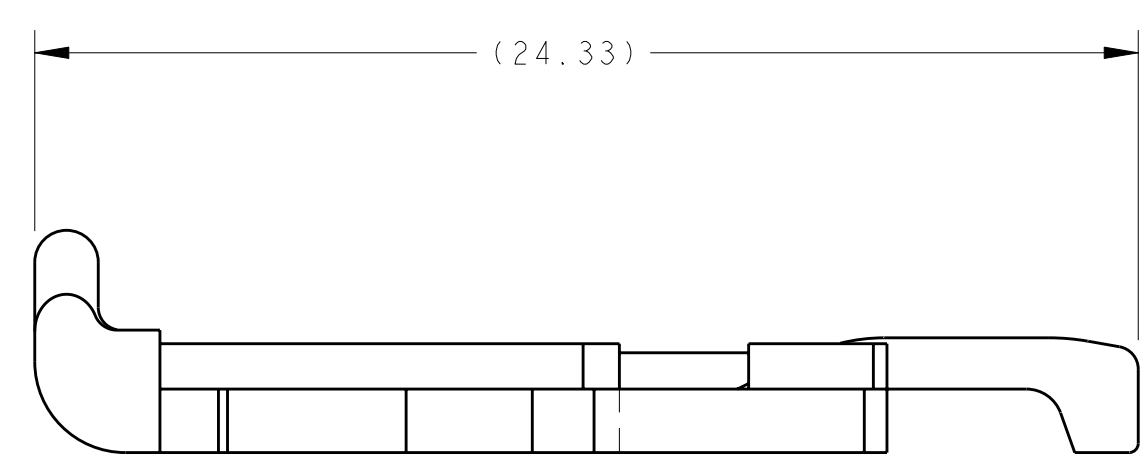
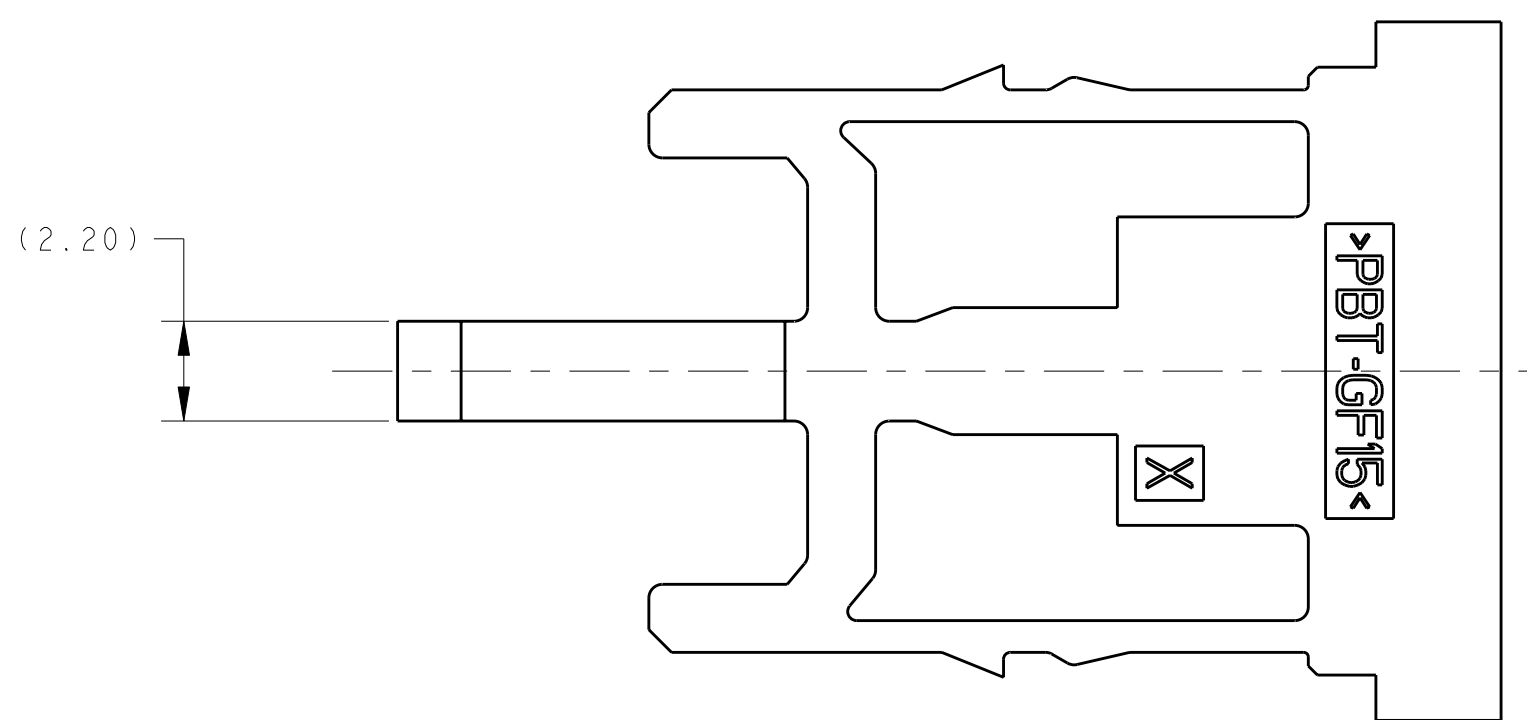
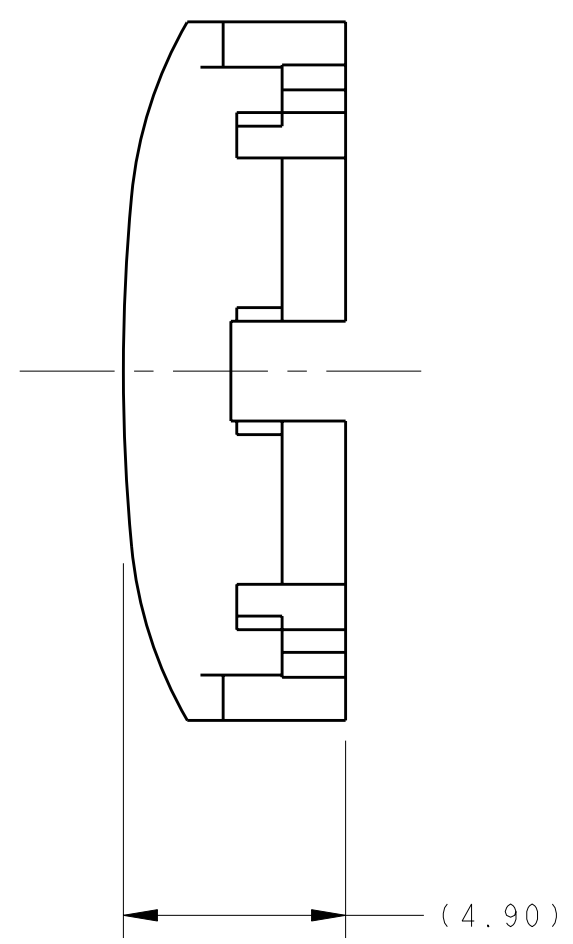
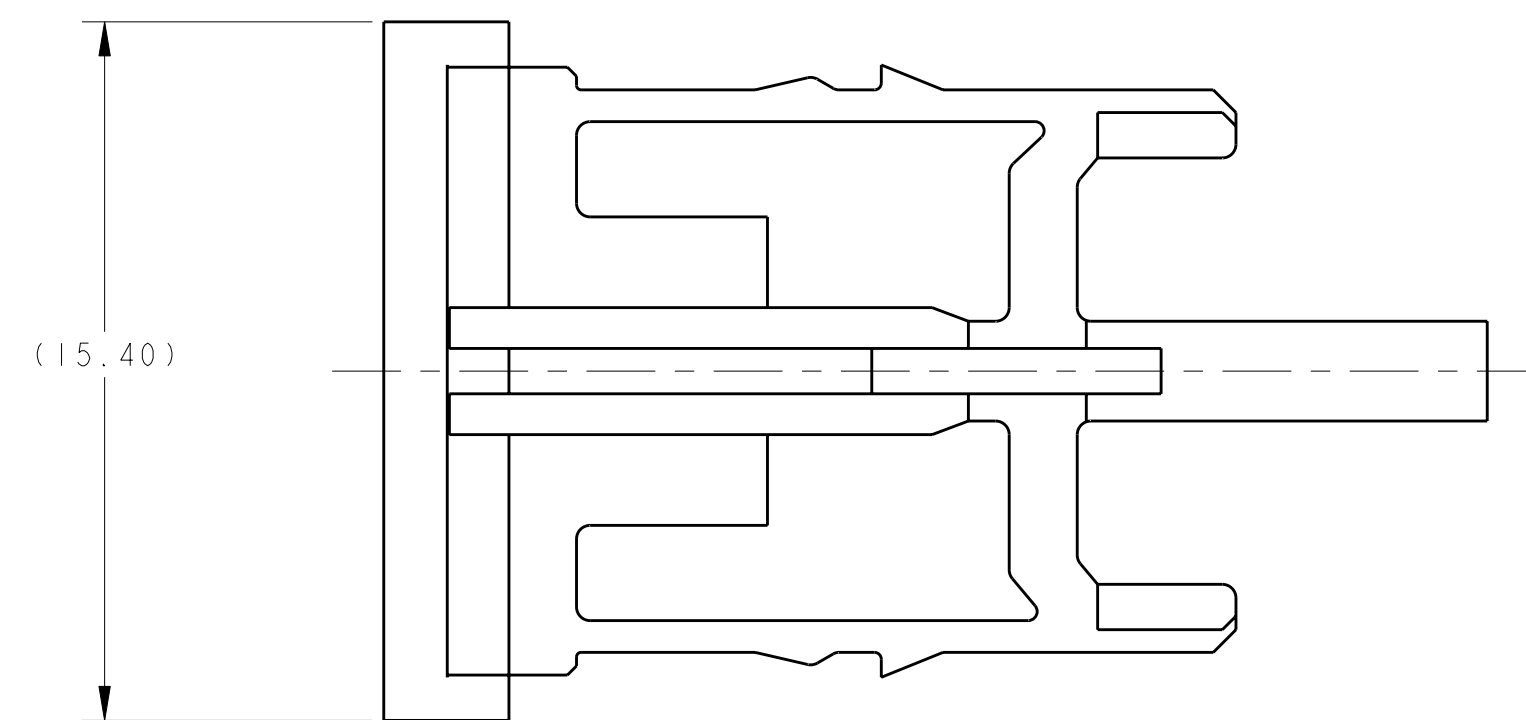
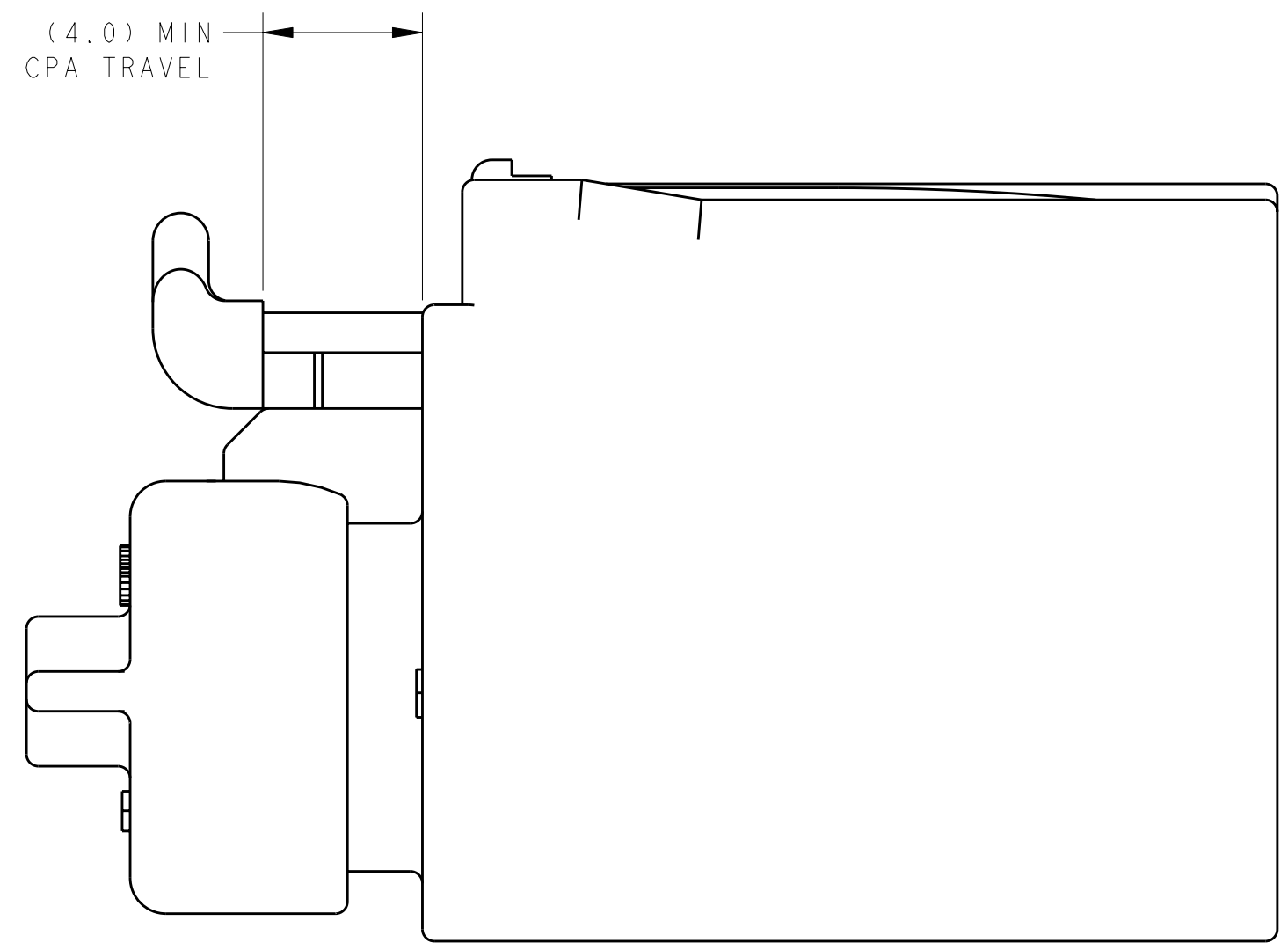


LOC	DIST	REVISIONS			
		REV	DATE	BY	CHKD
FX	00	A	26SEP2002	KF	VK
		A1	13MAY2010	VSS	DZ



⚠ MATERIAL: PBT, 15% GLASS FILLED.
 COLOR: RED.



CPA PRE-LATCHED POSITION
 (ASSEMBLY VIEW FOR REFERENCE ONLY)

<small>THIS DRAWING IS UNPUBLISHED. RELEASED FOR PUBLICATION. ALL RIGHTS RESERVED. THIS IS SUBJECT TO CHANGE WITHOUT NOTICE. FOR THE LATEST REVISIONS, CONTACT THE SUPPLIER.</small>		DWN: A. SHUMAN 03SEP2002 CHK: V. KANE 26SEP2002 APVD: V. KANE 26SEP2002	Tyco Electronics Harrisburg, PA 17105-3608
DIMENSIONS: mm 		TOLERANCES UNLESS OTHERWISE SPECIFIED: 0 PLC ± 1 PLC ±0.3 2 PLC ±0.10 3 PLC ± 4 PLC ± ANGLES ±°	NAME: 0.64 GET SEALED CONNECTOR CPA PRODUCT SPEC: APPLICATION SPEC: WEIGHT: CUSTOMER DRAWING
MATERIAL:		FINISH:	SIZE: A1 00779 CAGE CODE: C=7-1419167-2 SCALE: 6:1 SHEET: 1 OF 1 REV: A1