

CUSTOMER DRAWING

CATALOG # 6VM4C

ECO #	APPRVD	DATE
23-196683	JB	02FEB23

SAFETY ORGANIZATIONS

THIS FILTER HAS BEEN FORMALLY RECOGNIZED, CERTIFIED OR APPROVED BY THE LISTED AGENCY. THEREFORE, ALL TEST/REQUIREMENTS SPECIFIED IN THE LATEST REVISION OF THE FOLLOWING AGENCY STANDARDS HAVE BEEN MET:

UL RECOGNIZED: UL 498
 CSA CERTIFIED: CSA C22.2 No. 42

OPERATING SPECIFICATIONS

LINE VOLTAGE/CURRENT: 6 AMP, 120 VAC,
 6 AMP/40°C, 250 VAC
 LINE FREQUENCY: 47-440Hz

RELIABILITY SPECIFICATIONS:

STORAGE TEMPERATURE: -55°C TO +85°C
 HUMIDITY: 21 DAYS @ 40°C 95% RH.
 CURRENT OVERLOAD TEST: 6 TIMES I_r FOR
 8 SECONDS

TEST SPECIFICATIONS:

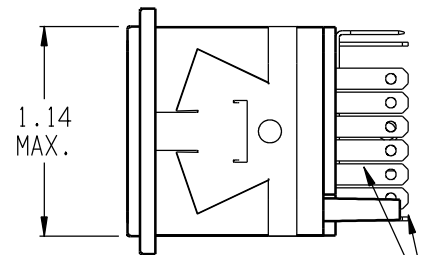
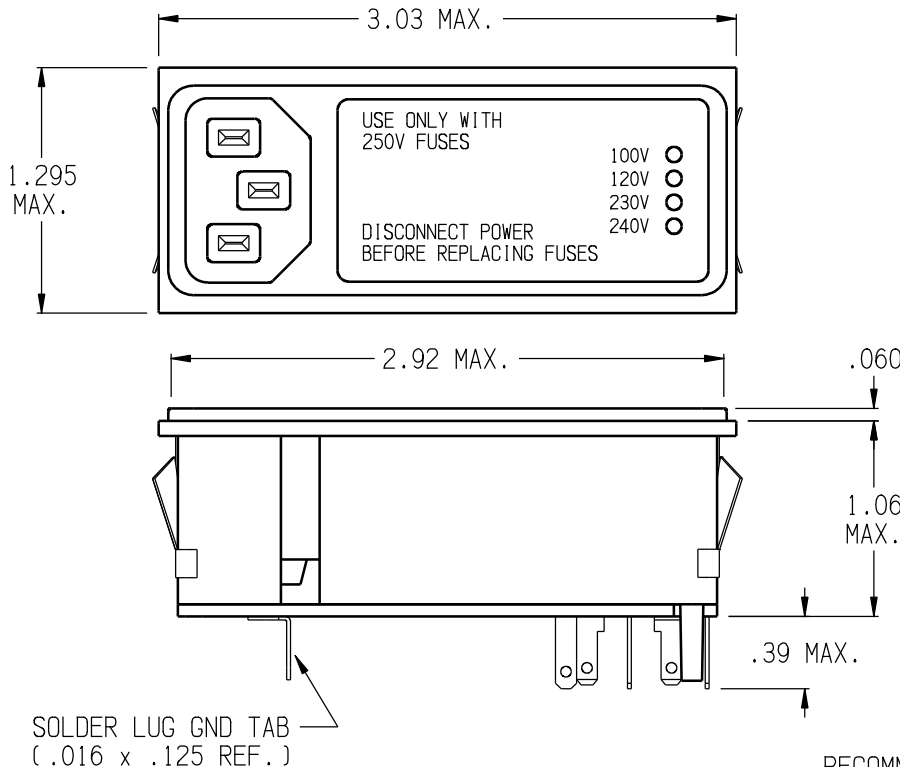
LINE/GROUND AND LINE/LINE: 6000MΩ (MIN.) @ 100VDC,
 INSULATION RESISTANCE: @ 20°C AND 50% RH

RECOMMENDED RECEIVING INSPECTION HIPOT:

LINE TO GROUND: 1500 VAC FOR 1 MINUTE
 LINE TO LINE: 1450 VDC FOR 1 MINUTE

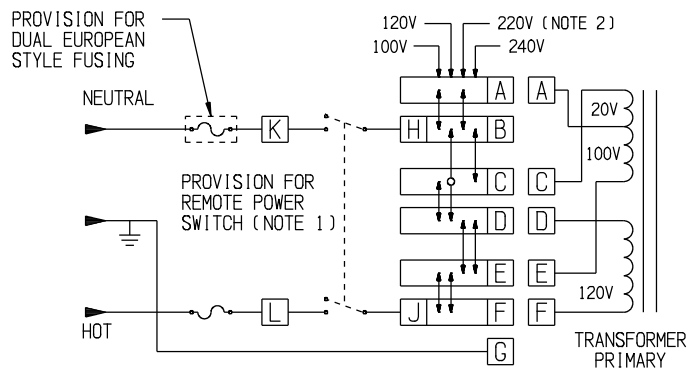
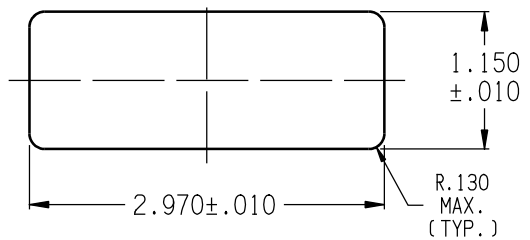
FILTER APPROVAL:

THE BEST WAY TO SELECT AND QUALIFY A FILTER IS FOR YOUR ENGINEERING TO TEST THE UNIT IN YOUR EQUIPMENT.



ALL INPUT/OUTPUT
 TERMINALS 0.110 TABS
 (.020 x .110 REF.)

RECOMMENDED PANEL CUTOUT
 (PANEL THICKNESS 0.06-0.09)



NOTE 1.) JUMPERS REQUIRED IF NO SWITCH OR FILTER IS USED.
 NOTE 2.) 230V FOR EUROPEAN APPLICATIONS

50Ω - 50Ω (MINIMUM) INSERTION LOSS										PARTS SHALL COMPLY WITH TYCO ELECTRONICS 138-702 SPECIFICATION FOR HAZARDOUS SUBSTANCES								
FREQUENCY MHz	/	/	/	/	/	/	/	/	/	/	UNLESS OTHERWISE SPECIFIED TOLERANCE TO BE ±0.025 MATERIAL & FINISH: AS SUPPLIED DIMENSIONS IN INCHES							
COMMON dB	/	/	/	/	/	/	/	/	/	/	TE TE Connectivity POWER LINE FILTER							
DIFF. dB	/	/	/	/	/	/	/	/	/	/								
SHEET SIZE	THIRD ANGLE PROJECTION		THIS INFORMATION IS CONFIDENTIAL AND PROPRIETARY TO TYCO ELECTRONICS CORPORATION AND ITS WORLDWIDE SUBSIDIARIES AND AFFILIATES. IT MAY NOT BE DISCLOSED TO ANYONE OTHER THAN TYCO ELECTRONICS PERSONNEL, WITHOUT WRITTEN AUTHORIZATION FROM TYCO ELECTRONICS CORPORATION. (www.TE.com)								NOTES:		TE PART NO.:	3-6609128-4				
A	D										SCALE:	1:1	DATE:	18APR94	DRAWING NUMBER:	6VM4C	REV.	M
										DRW. BY:	LJD	DRG:	TAM					
										6VM4C-E.cxd								