

SAFETY ORGANIZATIONS

THIS MODULE HAS BEEN FORMALLY RECOGNIZED, CERTIFIED OR APPROVED BY THE LISTED AGENCY. THEREFORE, ALL TEST/REQUIREMENTS SPECIFIED IN THE LATEST REVISION OF THE FOLLOWING AGENCY STANDARDS HAVE BEEN MET:

UL RECOGNIZED: UL 498
 CSA CERTIFIED: CSA C22.2 No.42
 VDE APPROVED: EN 60320-1

OPERATING SPECIFICATIONS

LINE CURRENT/VOLTAGE: 15 AMP, 250 VAC, UL, CSA
 10 AMP, 250 VAC, VDE
 LINE FREQUENCY: 50-60Hz

RELIABILITY SPECIFICATIONS:

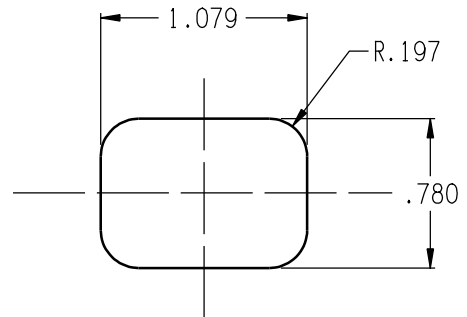
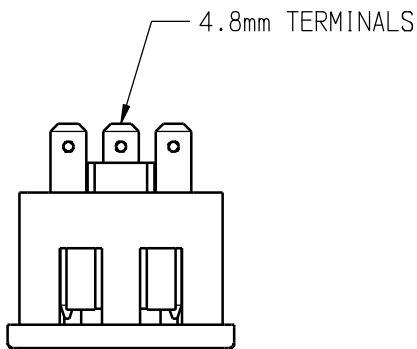
STORAGE TEMPERATURE: -40°C TO +85°C
 HUMIDITY: 21 DAYS @ 40°C 95% RH.
 CURRENT OVERLOAD TEST: 6 TIMES I_r FOR 8 SECONDS

TEST SPECIFICATIONS:

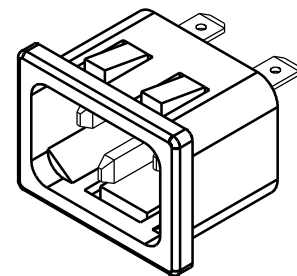
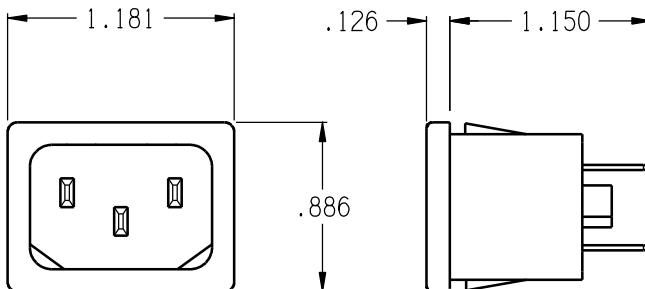
L/G AND L/L I.R. @ 6000M (MIN.) 100VDC,
 20°C AND 50% RH

RECOMMENDED RECEIVING INSPECTION HIPOT:

LINE TO GROUND: 1500 VAC FOR 1 MINUTE
 LINE TO LINE: 1450 VDC FOR 1 MINUTE



RECOMMENDED PANEL CUTOUT
 0.059±.004 THICK



50 Ω - 50 Ω (MINIMUM) INSERTION LOSS

| | | | | | | | | | | | | |
|------------------|---|---|---|---|---|---|---|---|---|---|---|---|
| FREQUENCY MHz | / | / | / | / | / | / | / | / | / | / | / | / |
| COMMON dB | / | / | / | / | / | / | / | / | / | / | / | / |
| DIFF. dB | / | / | / | / | / | / | / | / | / | / | / | / |

PARTS SHALL COMPLY WITH TYCO ELECTRONICS 138-702 SPECIFICATION FOR HAZARDOUS SUBSTANCES

UNLESS OTHERWISE SPECIFIED
 TOLERANCE TO BE ±0.025
 MATERIAL & FINISH: AS SUPPLIED

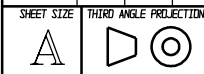
NOTES:

Tyco Electronics
CORCON PRODUCTS, 620 S. BUTTERFIELD RD. MUNDELEIN IL 60060

CUSTOMER DRAWING

TYCO ELECTRONICS PART NO. 1609133-4

| | | | |
|--------------|---------------|-----------------|-----------|
| SCALE: 1:1 | DATE: 17FEB10 | DRAWING NUMBER: | REV. |
| DRW. BY: LJD | DRIG: / | 6ESRMC2 | B1 |



THIS INFORMATION IS CONFIDENTIAL AND PROPRIETARY TO TYCO ELECTRONICS CORPORATION AND ITS WORLDWIDE SUBSIDIARIES AND AFFILIATES. IT MAY NOT BE DISCLOSED TO ANYONE OTHER THAN TYCO ELECTRONICS PERSONNEL, WITHOUT WRITTEN AUTHORIZATION FROM TYCO ELECTRONICS CORPORATION.
 HARRISBURG, PENNSYLVANIA USA.