

SAFETY ORGANIZATION(S).

THIS FILTER HAS BEEN FORMALLY RECOGNIZED, CERTIFIED OR APPROVED BY THE LISTED AGENCY. THEREFORE, ALL TEST/REQUIREMENTS SPECIFIED IN THE LATEST REVISION OF THE FOLLOWING AGENCY STANDARDS HAVE BEEN MET.

- UL RECOGNIZED
- UL 1283
- CSA CERTIFIED
- CSA 22.2, NO. 0.0.4.8
- VDE APPROVED
- VDE S65-3
- SEV APPROVED
- SEV 10557P19177/S.1.1

OPERATING SPECIFICATIONS.

- LINE VOLTAGE/CURRENT: 6 AMP., 120/250 VAC
- 5 AMP./40°C, 250 VAC
- 50-60HZ
- LINE FREQUENCY: .25mA at 120V 60 Hz
- MAX. LEAKAGE CURRENT, EACH LINE TO GROUND: .4mA at 250V 50 Hz
- OPERATING AMBIENT TEMP. RANGE: -10°C TO +40°C @ RATED CURRENT, I<sub>r</sub>
- IN AN AMBIENT, T<sub>0</sub>, HIGHER THAN 40°C, THE MAXIMUM OPERATING CURRENT, I<sub>0</sub>, IS AS FOLLOWS:

$$I_0 = I_r \sqrt{\frac{85 - T_0}{45}}$$

RELIABILITY SPECIFICATIONS.

- STORAGE TEMPERATURE: -25°C TO +85°C
- HUMIDITY: 21 DAYS @ 40°C 95% RH
- CURRENT OVERLOAD TEST: 6 TIMES RATED CURRENT FOR 8 SECONDS

TEST SPECIFICATIONS.

- INDUCTANCE: 17.46 mH NOMINAL
- CAPACITANCE: (MEASURED @ 1 KHZ, 0.25 VAC MAX., 25°C ±1°C)
- LINE TO GROUND: .0056µF ±20%
- LINE TO LINE: .81µF ±20%
- DISCHARGE RESISTOR: 330KΩ
- LINE/GROUND AND LINE/LINE INSULATION RESISTANCE: 6000 MΩ (MIN) AT 100 VDC
- (W/O DISCHARGE RESISTOR) 20°C AND 50% RH

RECOMMENDED RECEIVING INSPECTION HIPOIT.

- LINE TO GROUND: 2250 VDC FOR 1 MINUTE
- LINE TO LINE: 1450 VDC FOR 1 MINUTE

FILTER APPROVAL:

THE BEST WAY TO SELECT AND QUALIFY A FILTER IS FOR YOUR ENGINEERING TO TEST THE UNIT IN YOUR EQUIPMENT.

TOLERANCE EXCEPT AS NOTED

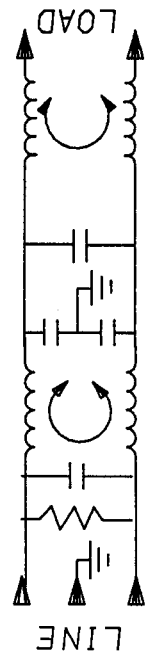
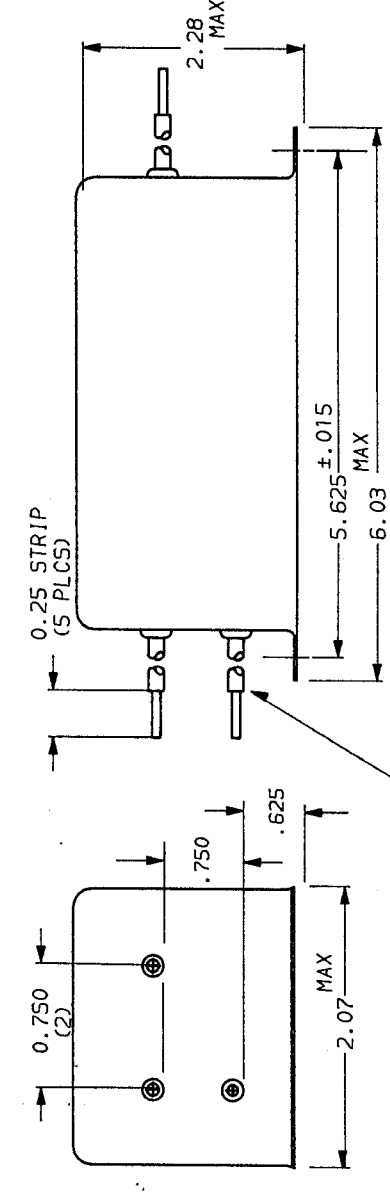
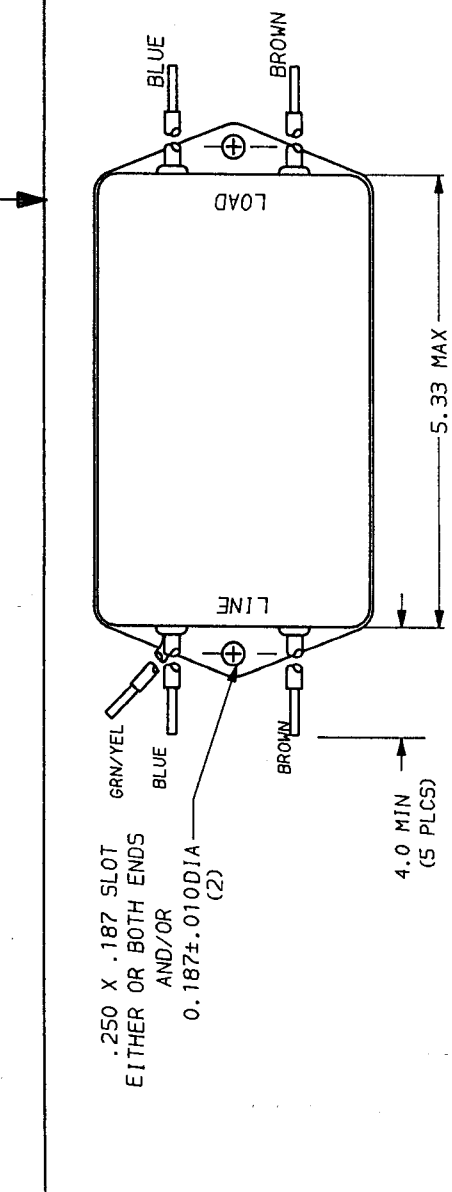
DECIMAL: .XXX .XX .X ANGLES ± 1°  
 ENGLISH: ± .025  
 METRIC: ±

MATERIAL:

AS SUPPLIED

FINISH:

AS SUPPLIED



50Ω - 50Ω (MINIMUM) INSERTION LOSS							
FREQUENCY MHZ	.01	.04	.05	.06	.15	.5	5.0
COMMON	1	1	10	18	58	65	60
DIFF. dB	1	2	3	3	30	65	65
DIFF. dB							

This document is proprietary to CORCOM INC. and is not to be reproduced nor used for manufacturing purposes except on CORCOM's order or prior written consent.



POWER LINE FILTER

SCALE	DATE	DRG. NO.	REV.
NTS	5-12-88	6EP3.05	
DRW. BY	IDL		
ORIGINATOR			