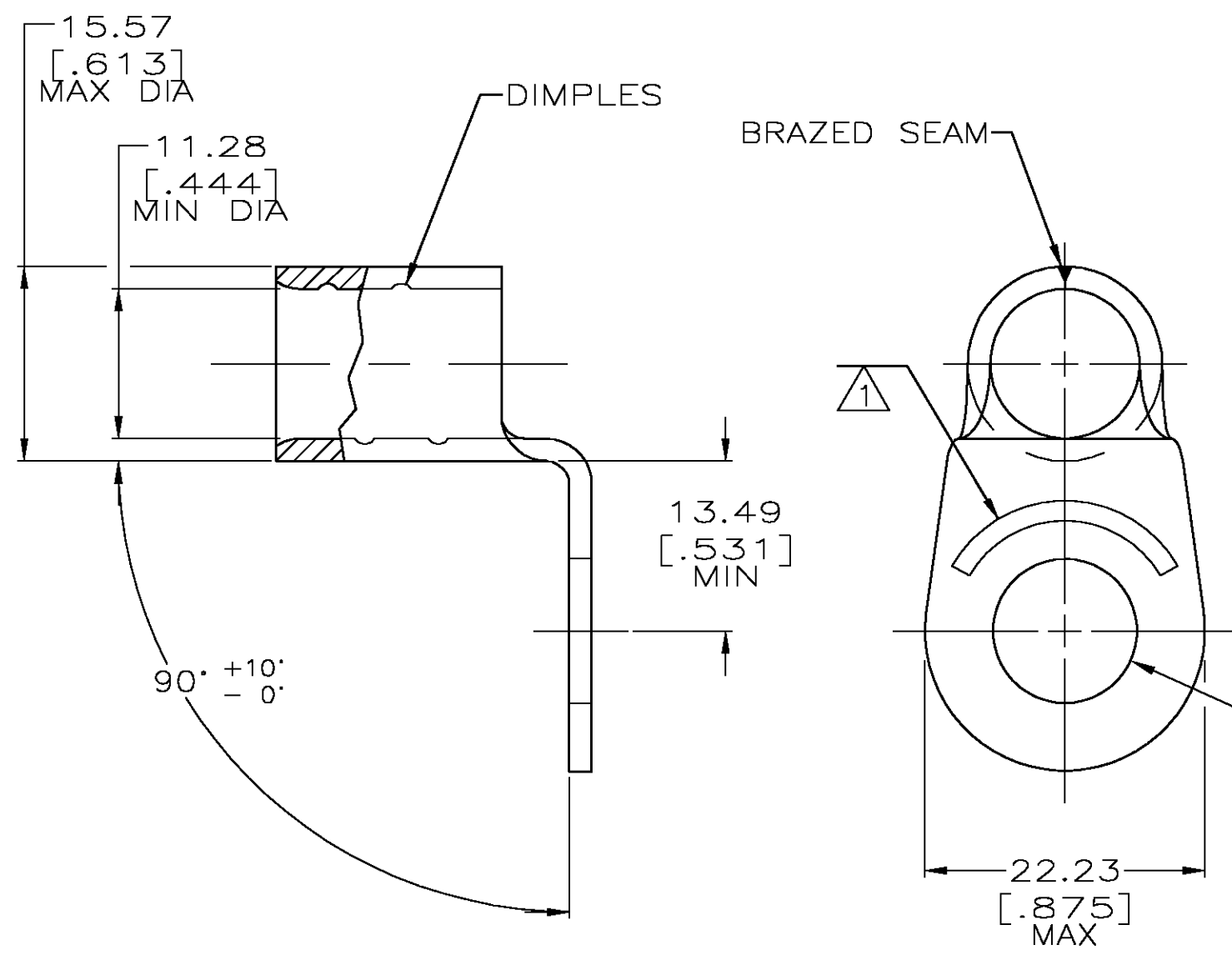


THIS DRAWING IS UNPUBLISHED. RELEASED FOR PUBLICATION
 © COPYRIGHT BY TYCO ELECTRONICS CORPORATION. ALL RIGHTS RESERVED.

LOC	DIST	REVISIONS					
		P	LTR	DESCRIPTION	DATE	DWN	APVD
G	14		0	PROPOSED	13AUG04	JR	MJS

AMP WIRE RANGE	Listed FILE E13288	LR7189 Certified
1/0 AWG SOLID OR STRANDED	NOT LISTED	NOT CERTIFIED



- 1 STAMP AMP 1/0W* APPROX AS SHOWN
- 2 COPPER PER ASTM B152, ANNEALED MATERIAL THK IS 1.78±0.08 [0.070±.003]
- 3 0.00254 [0.000100] MIN TIN PER ASTM B-545
- 4 PRELIMINARY - NOT FOR PRODUCTION

696728-1
PART NUMBER

AMP INCORPORATED CUSTOMER SERVICE SYSTEMS

FOR ADDITIONAL PRODUCT INFORMATION OR COPIES OF DRAWINGS AND TECHNICAL DOCUMENTS	PRODUCT INFORMATION CENTER 1-800-522-6752	RECOMMENDED OPERATING TEMPERATURE: 170° C MAX
FOR APPLICATION TOOLING INFORMATION	TOOLING ASSISTANCE CENTER 1-800-722-1111	VOLTAGE RATING: NOT APPLICABLE
FOR ORDER ENTRY	1-800-526-5142	WIRE CROSS SECTIONAL AREA RANGE: 42.4-60.6mm ² [83,700-119,500] CIR MILS SOLID OR STRANDED

THIS DRAWING IS A CONTROLLED DOCUMENT.

DIMENSIONS: mm	TOLERANCES UNLESS OTHERWISE SPECIFIED:
	0 PLC ± -
	1 PLC ± -
	2 PLC ± 0.20[.008]
	3 PLC ± -
	4 PLC ± -
	ANGLES ± -
MATERIAL	FINISH

DWN JR RUTH 13AUG04		Tyco Electronics Corporation Harrisburg, Pa 17105-3608		
CHK MJ SPICER 13AUG04		NAME		
APVD MJ SPICER 13AUG04		TERMINAL, BENT 90 RING TONGUE, SOLISTRAND		
PRODUCT SPEC	SIZE	CAGE CODE	DRAWING NO	RESTRICTED TO
APPLICATION SPEC	A3	00779	C-696728	-
WEIGHT	CUSTOMER DRAWING		SCALE	SHEET
			2:1	1 OF 1
			REV	0