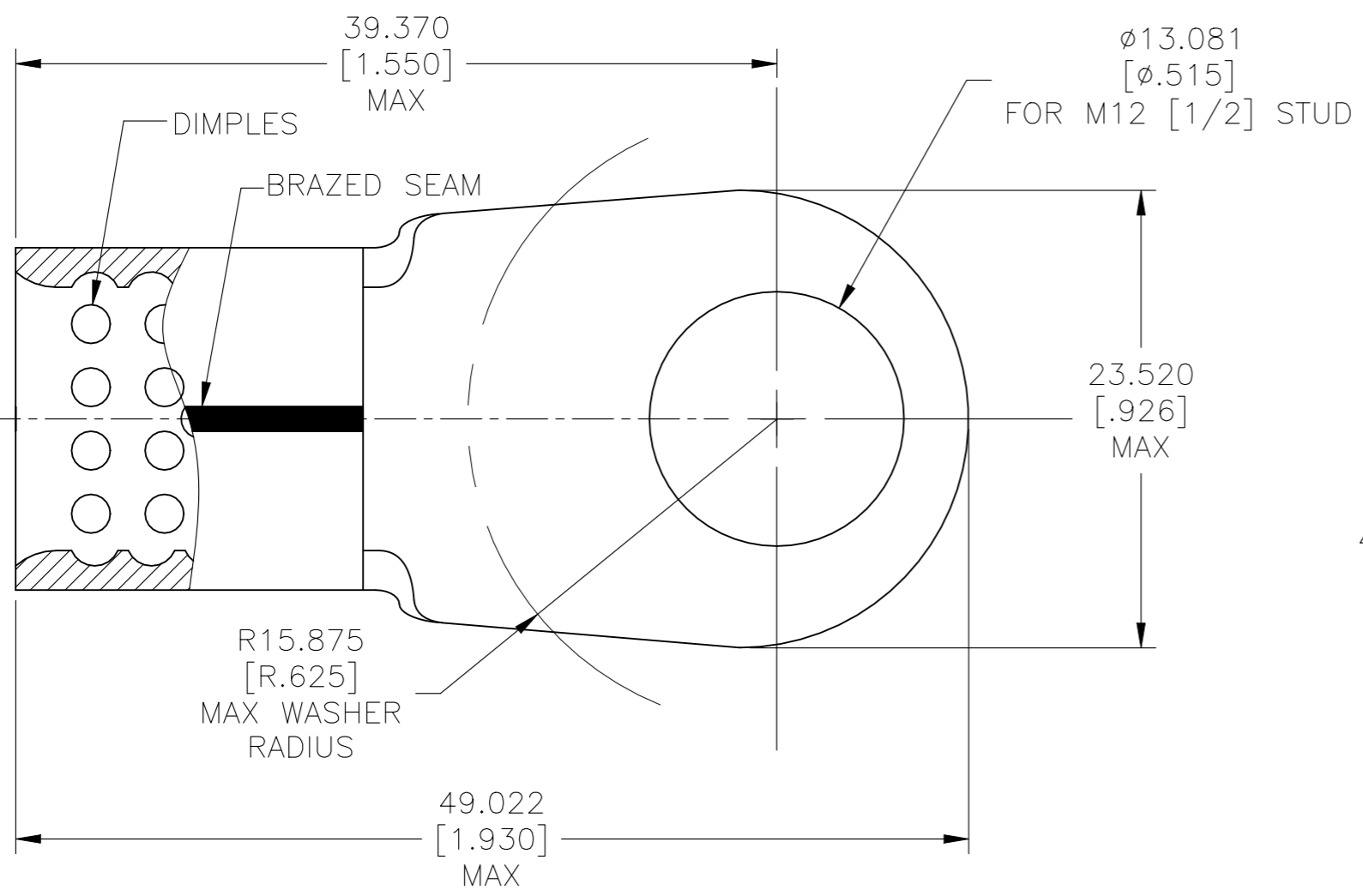


REVISIONS				
P	LTR	DESCRIPTION	DATE	APVD
	B	REVISED PER ECO-19-009164	25JUN2020	KG DR



- 1 WIRE RANGE IS FOR 2/0 AWG. STANDARD WIRE CROSS SECTIONAL AREA RANGE: 119,500-150,500 CMA, STRANDED WIRE.
- 2 TERMINAL BODY MATERIAL THK IS 2.032±0.076[.080±.003].
- 3 RECOMMENDED OPERATING TEMP -55°C [131°F] TO +200°C [392°F] FOR HEAT SHRINK TUBING
- 4 HEAT SHRINK TUBING SHELF LIFE OF 18 MONTHS FROM DATE CODE ON LABEL
- 5 TERMINAL APPLICATION SPECIFICATION 114-2162

1	6-1192857-2	HIGH AND LOW TEMPERATURE CROSS LINKED FLUOROPOLYMER HEAT SHRINK TUBING 19.05[.750]MIN IDX44.45±3.05[1.75±.12] RT555-3/4-0-SP
1	321873-2	TERMINAL BODY: COPPER PER ASTM B152 ANNEALED FINISH: NICKEL PLATE 0.00762 [.000300] MIN EXT THK PER SAE AMS QQ-N-290
-1	PART NO	DESCRIPTION

THIS DRAWING IS A CONTROLLED DOCUMENT.		DWN JR RUTH 08DEC09	STE TE Connectivity	
DIMENSIONS: mm [INCHES]		CHK TOM MICHIELUTTI 08DEC09		
TOLERANCES UNLESS OTHERWISE SPECIFIED:		APVD TOM MICHIELUTTI 08DEC09	NAME	
0 PLC ± -		PRODUCT SPEC	HEAT RESISTANT TERMINAL KIT	
1 PLC ± -		APPLICATION SPEC	WIRE SIZE: 2/0 AWG	
2 PLC ± -		5	SIZE	CAGE CODE
3 PLC ± 0.127[.005]		WEIGHT	A3	00779
4 PLC ± -		CUSTOMER DRAWING	DRAWING NO	
ANGLES ± 1°		SCALE	C-696651	
MATERIAL	FINISH	RESTRICTED TO	-	
SEE TABLE	SEE TABLE	SCALE	3:1	
		SHEET	1 OF 1	
		REV	B	