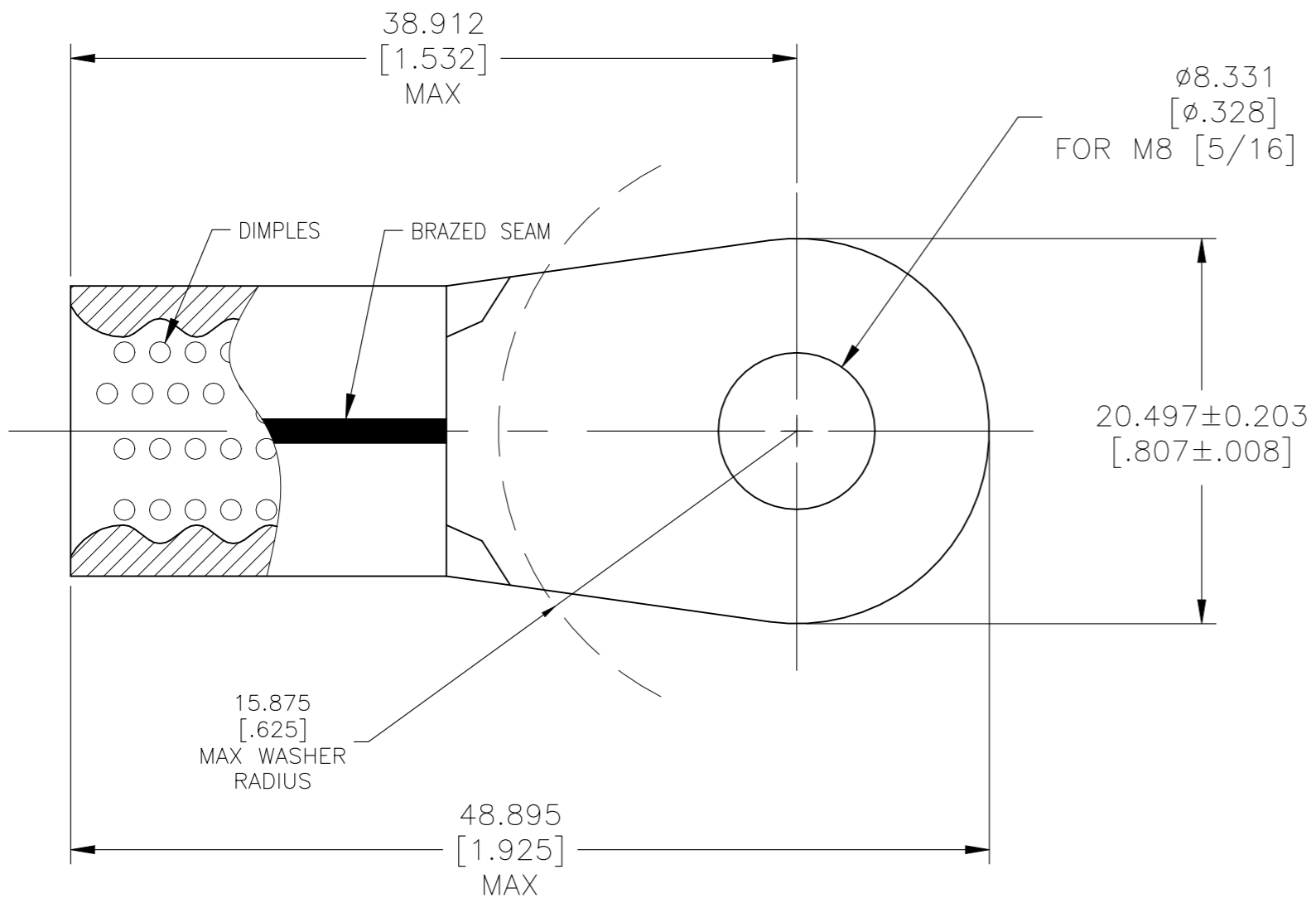


REVISIONS				
P	LTR	DESCRIPTION	DATE	APVD
	B	REVISED PER ECO-19-009164	24JUN2020	KG DR



- 1 WIRE RANGE IS FOR 1/0 AWG. STANDARD WIRE CROSS SECTIONAL AREA RANGE: 83,700-119,500 CMA, STRANDED WIRE.
- 2 TERMINAL BODY MATERIAL THK IS 1.778±0.076[.070±.003].
- 3 RECOMMENDED OPERATING TEMP -55°C [131°F] TO +200°C [392°F] FOR HEAT SHRINK TUBING
- 4 HEAT SHRINK TUBING SHELF LIFE OF 18 MONTHS FROM DATE CODE ON LABEL
- 5 TERMINAL BODY PRODUCT SPECIFICATION 108-32046. APPLICATION SPECIFICATION 114-2162.

1	1-1196717-9	HIGH AND LOW TEMPERATURE CROSS LINKED FLUOROPOLYMER HEAT SHRINK TUBING 15.88[.625] MIN ID X 44.45±3.05 [1.75±.12] RT555-5/8-0-SP
1	321867-2	TERMINAL BODY: COPPER PER ASTM B152 ANNEALED FINISH: NICKEL PLATE 0.00762 [.000300] MIN EXT THK PER SAE AMS QQ-N-290
-1	PART NO	DESCRIPTION

THIS DRAWING IS A CONTROLLED DOCUMENT.		DWN JR RUTH 08DEC09	STE TE Connectivity	
DIMENSIONS: mm [INCHES]		CHK T MICHELUTTI 08DEC09		
TOLERANCES UNLESS OTHERWISE SPECIFIED:		APVD T MICHELUTTI 08DEC09	NAME -	
0 PLC ± -		PRODUCT SPEC	HEAT RESISTANT TERMINAL KIT WIRE SIZE: 1/0 AWG	
1 PLC ± -		APPLICATION SPEC	SIZE CAGE CODE DRAWING NO RESTRICTED TO	
2 PLC ± -			A3 00779 C-696646	
3 PLC ± 0.127 [.005]			SCALE 3:1 SHEET 1 OF 1 REV B	
4 PLC ± -				
ANGLES ± 1°				
MATERIAL SEE TABLE		FINISH SEE TABLE		
		WEIGHT -		
		CUSTOMER DRAWING		