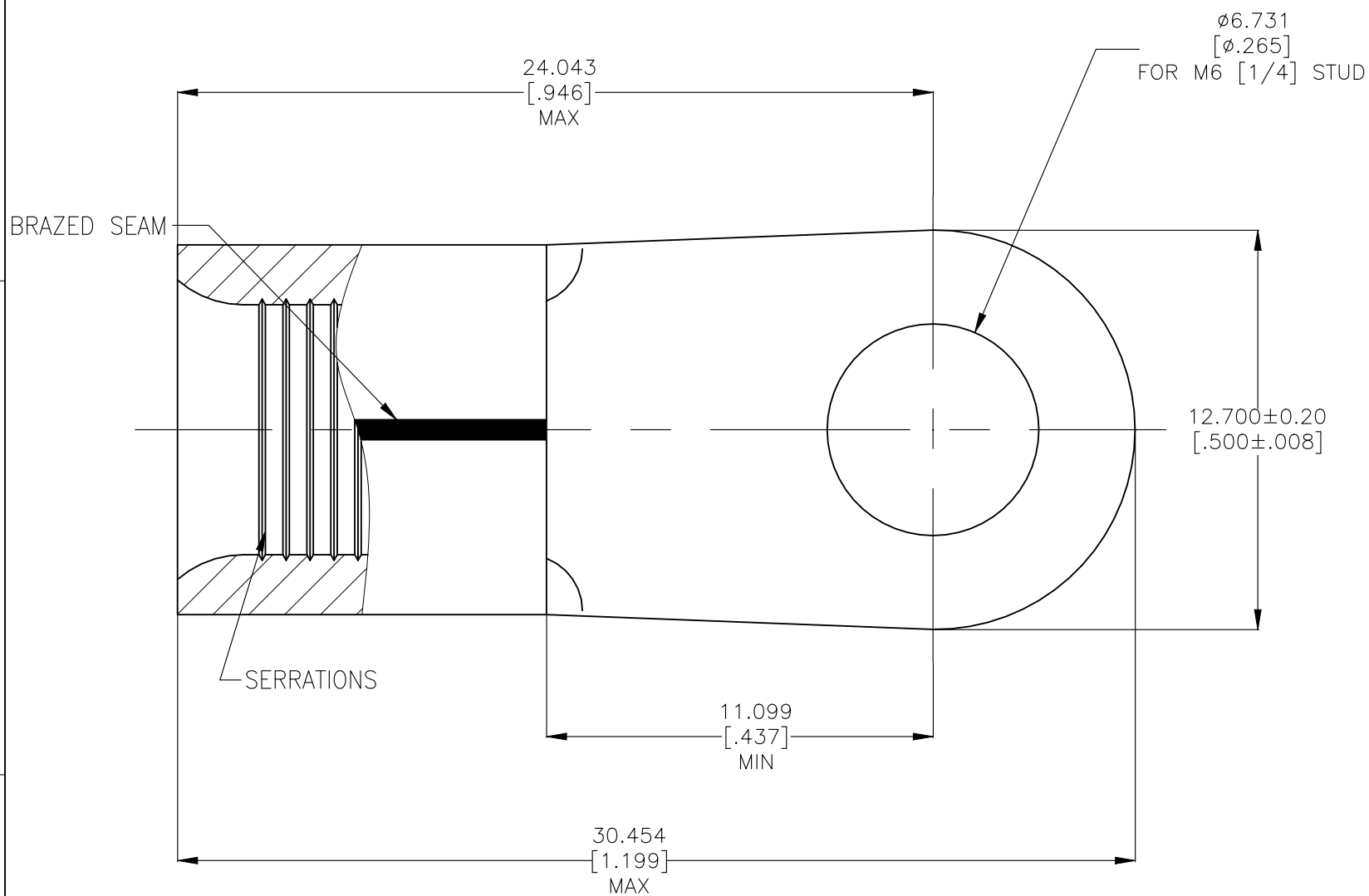


REVISIONS					
P	LTR	DESCRIPTION	DATE	DWN	APVD
	B	REVISED PER ECO-19-009164	24JUN2020	KG	DR



- 1 WIRE RANGE IS FOR 4 AWG. STANDARD WIRE CROSS SECTIONAL AREA RANGE: 33,100-52,600 CMA, STRANDED WIRE
  - 2 TERMINAL BODY MATERIAL THK IS 1.778±0.076[.070±.003]
  - 3 RECOMMENDED OPERATING TEMP -55°C [131°F] TO +200°C [392°F] FOR HEAT SHRINK TUBING
  - 4 HEAT SHRINK TUBING SHELF LIFE OF 18 MONTHS FROM DATE CODE ON LABEL
- △ 5 TERMINAL BODY PRODUCT SPECIFICATION 108-32046. APPLICATION SPECIFICATION 114-2162

1	4-1192767-4	HIGH AND LOW TEMPERATURE CROSS LINKED FLUDROPOLYMER HEAT SHRINK TUBING 12.7[.500] MIN ID X 37.998±1.499 [1.496±.059], RT-555-½-0-SP
1	323173	TERMINAL BODY: COPPER PER ASTM B152 ANNEALED FINISH: NICKEL PLATE 0.00762 [.000300] MIN EXT THK PER SAE AMS QQ-N-290
-1	PART NO	DESCRIPTION

THIS DRAWING IS A CONTROLLED DOCUMENT.		DWN JR RUTH 29OCT09	<b>STE</b> TE Connectivity		
DIMENSIONS: mm [INCHES]		CHK TOM MICHIELUTTI 29OCT09			
TOLERANCES UNLESS OTHERWISE SPECIFIED:		APVD TOM MICHIELUTTI 29OCT09	NAME HEAT RESISTANT TERMINAL KIT WIRE SIZE: 4 AWG		
0 PLC ± -		PRODUCT SPEC	-		
1 PLC ± -		APPLICATION SPEC	-		
2 PLC ± -		WEIGHT	-		
3 PLC ± 0.127[.005]		SIZE	A3	CAGE CODE	00779
4 PLC ± -		DRAWING NO	C-696640		
ANGLES ± 1°		RESTRICTED TO	-		
MATERIAL SEE TABLE	FINISH SEE TABLE	CUSTOMER DRAWING	SCALE	5:1	SHEET
				1 OF 1	REV
					B