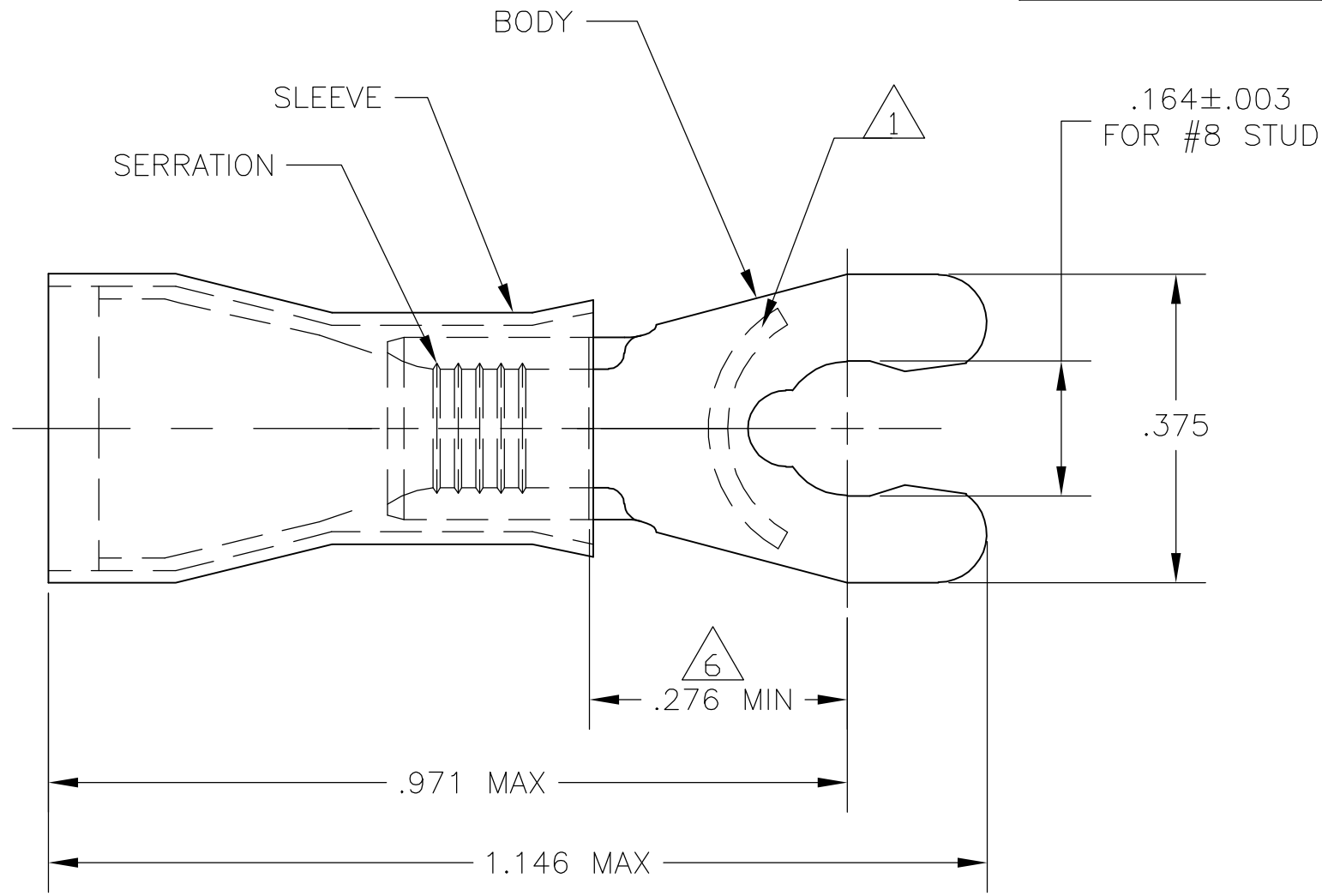


THIS DRAWING IS UNPUBLISHED. RELEASED FOR PUBLICATION
 © COPYRIGHT - BY TYCO ELECTRONICS CORPORATION. ALL RIGHTS RESERVED.

LOC	DIST	REVISIONS			
P	LTR	DESCRIPTION	DATE	DWN	APVD
G	14	2	REVISED TITLE TO PIDG	10APR06	MF TM

AMP
WIRE RANGE

12-10 AWG
SOLID OR STRANDED



- △ 1 STAMP 8S AMP 12-10* APPROX AS SHOWN
- 2 WIRE INSULATION DIA .170-.300
- 3 TONGUE MATERIAL THICKNESS .040±.002
- △ 4 MATERIAL: BODY - BRASS PER ASTM B36
PLASTIC SLEEVE - PVC, COLOR-YELLOW
METAL SLEEVE - COPPER PER ASTM B152
- △ 5 FINISH: BODY - TIN PLATE PER ASTM B545
METAL SLEEVE - TIN PLATE PER ASTM B545
- △ 6 DIMENSION APPLIES FROM EDGE OF METAL WIRE BARREL TO CENTER OF STUD.
- △ 7 PRELIMINARY - NOT FOR PRODUCTION

1500	ON TAPE	△ 7 2-696436-1
500	LOOSE PIECE	△ 7 696436-1
QTY	PACKAGE TYPE	PART NO

AMP INCORPORATED
CUSTOMER SERVICE SYSTEMS

FOR ADDITIONAL PRODUCT INFORMATION OR COPIES OF DRAWINGS AND TECHNICAL DOCUMENTS
 PRODUCT INFORMATION CENTER
1-800-522-6752

FOR APPLICATION TOOLING ASSISTANCE CENTER
 TOOLING INFORMATION
1-800-722-1111

FOR ORDER ENTRY
 1-800-526-5142

MAX RECOMMENDED OPERATING TEMPERATURE:
105°C [221°F]

VOLTAGE RATING:
300V MAX

CIRCULAR MIL AREA:
2.62-6.64mm² [5,180-13,100]
SOLID OR STRANDED

THIS DRAWING IS A CONTROLLED DOCUMENT.

DIMENSIONS: INCHES

TOLERANCES UNLESS OTHERWISE SPECIFIED:

0 PLC	± -
1 PLC	± -
2 PLC	± -
3 PLC	± .008
4 PLC	± -
ANGLES	± 5'

MATERIAL - △ 4

FINISH - △ 5

DWN jr_ruth 07APR06
 CHK T MICHIELUTTI
 APVD T MICHIELUTTI 07APR06

tyco Tyco Electronics Corporation
Electronics Harrisburg, PA 17105-3608

NAME: TERMINAL, SPRING SPADE, SHORT, PIDG WIRE SIZE: 12-10

SIZE: A3 CAGE CODE: 00779 DRAWING NO: C-696436 RESTRICTED TO: -

WEIGHT: -

CUSTOMER DRAWING SCALE: 5:1 SHEET: 1 OF 1 REV: 2