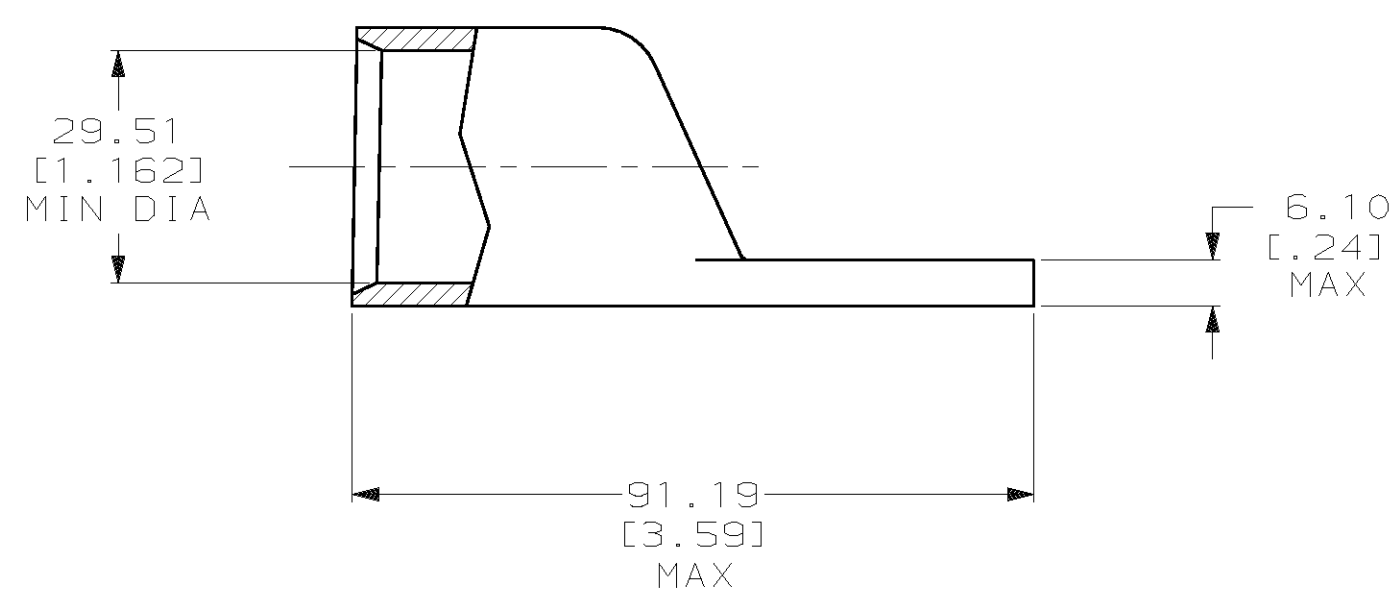
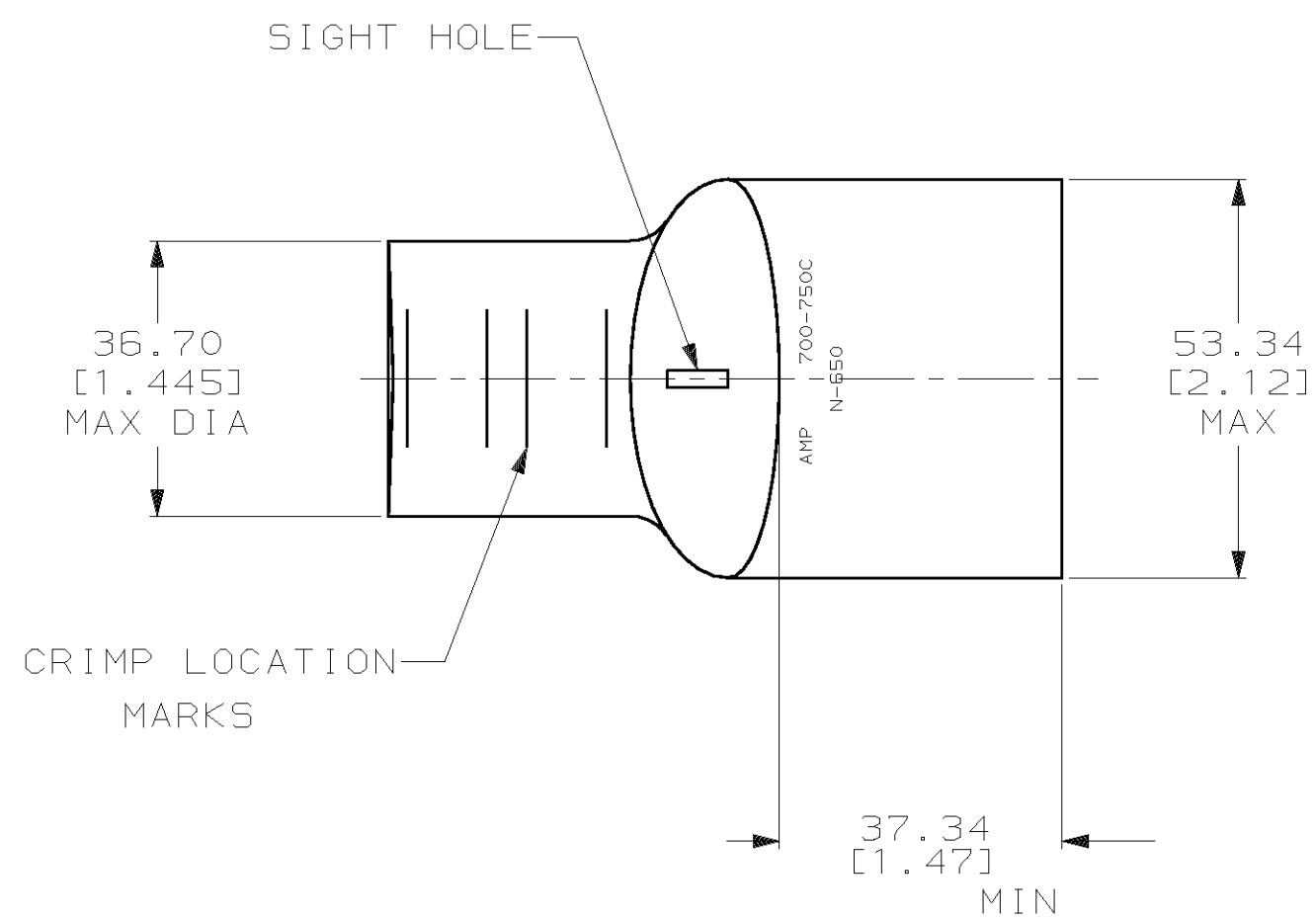


THIS DRAWING IS UNPUBLISHED. RELEASED FOR PUBLICATION, 19 .
 © COPYRIGHT 19 BY AMP INCORPORATED. ALL INTERNATIONAL RIGHTS RESERVED.

LOC	DIST	P	F	ZONE	LTR	DESCRIPTION	DATE	APPD
G	86				B	REV PER 0G3A-0561-01	09OCT02	JR/MS



- 1 CIRCULAR MIL RANGE: 650-750 MCM
- 2 CLEANED, UNPLATED.
- 3 PREPRODUCTION - FASR REQ

2 3 696277-1

PART NO

DO NOT SCALE PRINT. UNLESS SPECIFIED DIMENSIONS IN mm [INCHES] TOLERANCES ON : 2 PLC DEC ± 0.51 [.020] 3 PLC DEC ± - ANGLES ± -	DR 15JAN01 JR RUTH	AMP INCORPORATED Harrisburg, Pa. 17105
	CHK 15JAN01 MS FEHER	
MATERIAL ANNEALED COPPER ASTM B-75	APPD 15JAN01 M SPICER	NAME
	APPD 15JAN01 M SPICER	TERMINAL, AMPPOWER™ WIRE SIZE: 700 MCM
FINISH -	PRODUCT SPEC 108-30200	SIZE
	APPLICATION SPEC -	CAGE CODE
	WEIGHT .493 LB	SCALE
		DRAWING NO
		SHEET

METRIC