

4

3

2

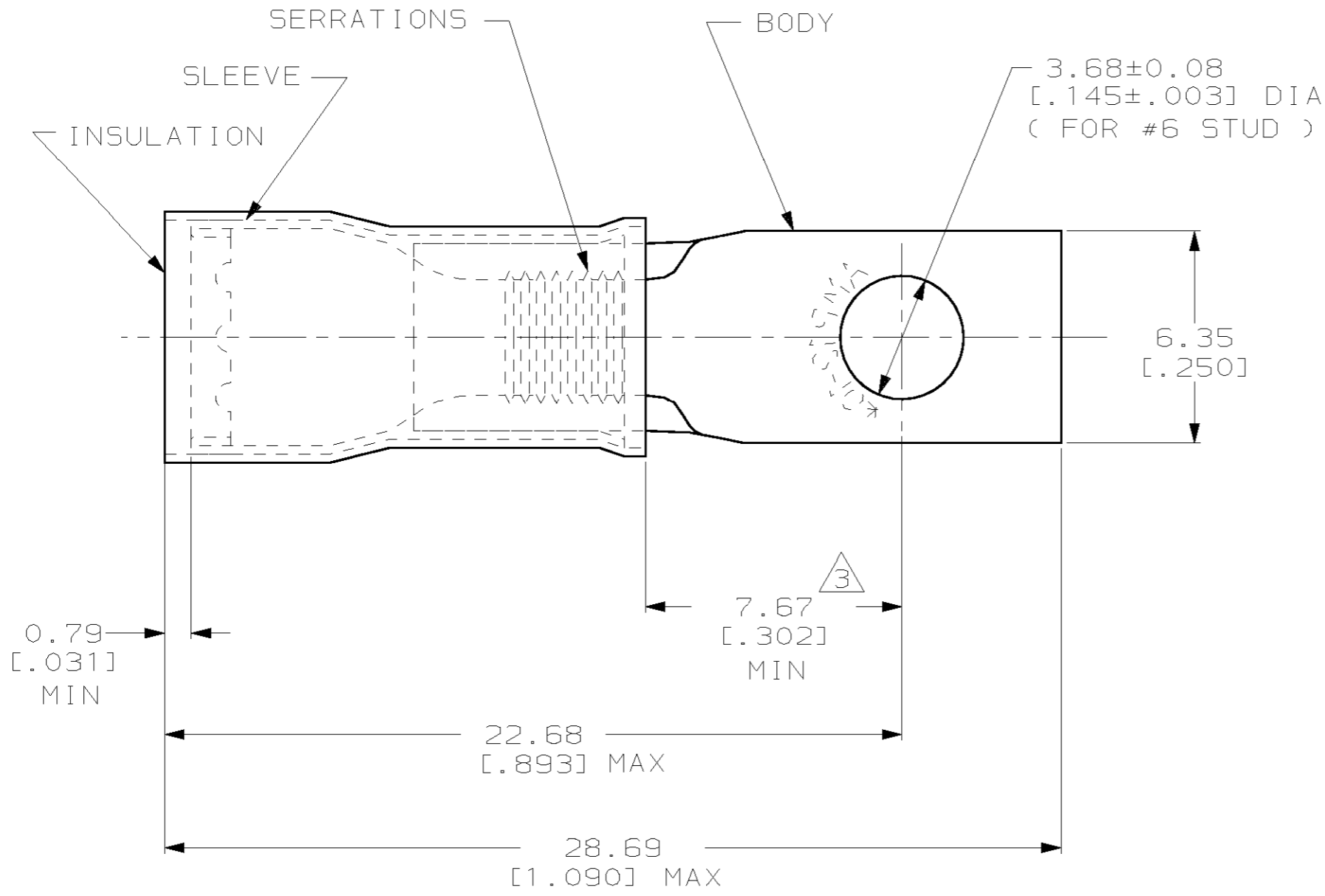
1

THIS DRAWING IS UNPUBLISHED. RELEASED FOR PUBLICATION, 19 .  
 © COPYRIGHT 19 BY AMP INCORPORATED. ALL RIGHTS RESERVED.

LOC	DIST	REVISIONS			
P	LTR	DESCRIPTION	DATE	DWN	APVD
G	14	0	PROPOSED	12JAN01	JR TM

**AMP**  
WIRE RANGE

12-10 AWG  
STRANDED



- 1 WIRE INSULATION DIA: 3.81-5.84 [.150-.230] DIA.
- 2 TONGUE MATERIAL THK: 1.07 [.042] MAX.
- 3 FROM EDGE OF METAL WIRE BARREL TO CENTER OF STUD HOLE.
- 4 PRELIMINARY - NOT FOR PRODUCTION

500	LOOSE PIECE	△ 696276-1
QTY	PACKAGE TYPE	PART NO

AMP INCORPORATED  
CUSTOMER SERVICE SYSTEM

FOR ADDITIONAL PRODUCT INFORMATION OR COPIES OF DRAWINGS AND TECHNICAL DOCUMENTS: PRODUCT INFORMATION CENTER 1-800-522-6752

FOR APPLICATION TOOLING INFORMATION: TOOLING ASSISTANCE CENTER 1-800-722-1111

FOR ORDER ENTRY: 1-800-526-5142

MAX RECOMMENDED OPERATING TEMPERATURE: 105°C [221°F]

VOLTAGE RATING: 300V MAX

CIRCULAR MIL AREA: 2.62mm<sup>2</sup> - 6.64mm<sup>2</sup> [5,180-13,100] SOLID OR STRANDED

THIS DRAWING IS A CONTROLLED DOCUMENT FOR AMP INCORPORATED. IT IS SUBJECT TO CHANGE AND THE CONTROLLING ENGINEERING ORGANIZATION SHOULD BE CONTACTED FOR THE LATEST REVISION.

DIMENSIONS: mm [in]

TOLERANCES UNLESS OTHERWISE SPECIFIED:

0 PLC	±-
1 PLC	±-
2 PLC	±0.20 [.008]
3 PLC	±-
4 PLC ANGLES	±-

MATERIAL SLEEVE & BODY: COPPER ASTM B-152 INSULATION, YELLOW PVC

FINISH TIN PLATE PER ASTM B545

DWN JR RUTH 12JAN01

CHK T MICHIELUTTI 12JAN01

APVD T MICHIELUTTI 12JAN01

PRODUCT SPEC

APPLICATION SPEC

WEIGHT -

CUSTOMER DRAWING

**AMP** AMP Incorporated Harrisburg, PA 17105-3608

NAME: TERMINAL, PIDG VINYL, RECTANGULAR TONGUE, WIRE SIZE : 12-10 AWG

SIZE: A3 CAGE CODE: 00779 DRAWING NO: C-696276

SCALE: 6:1 SHEET: 1 OF 1 REV: 0