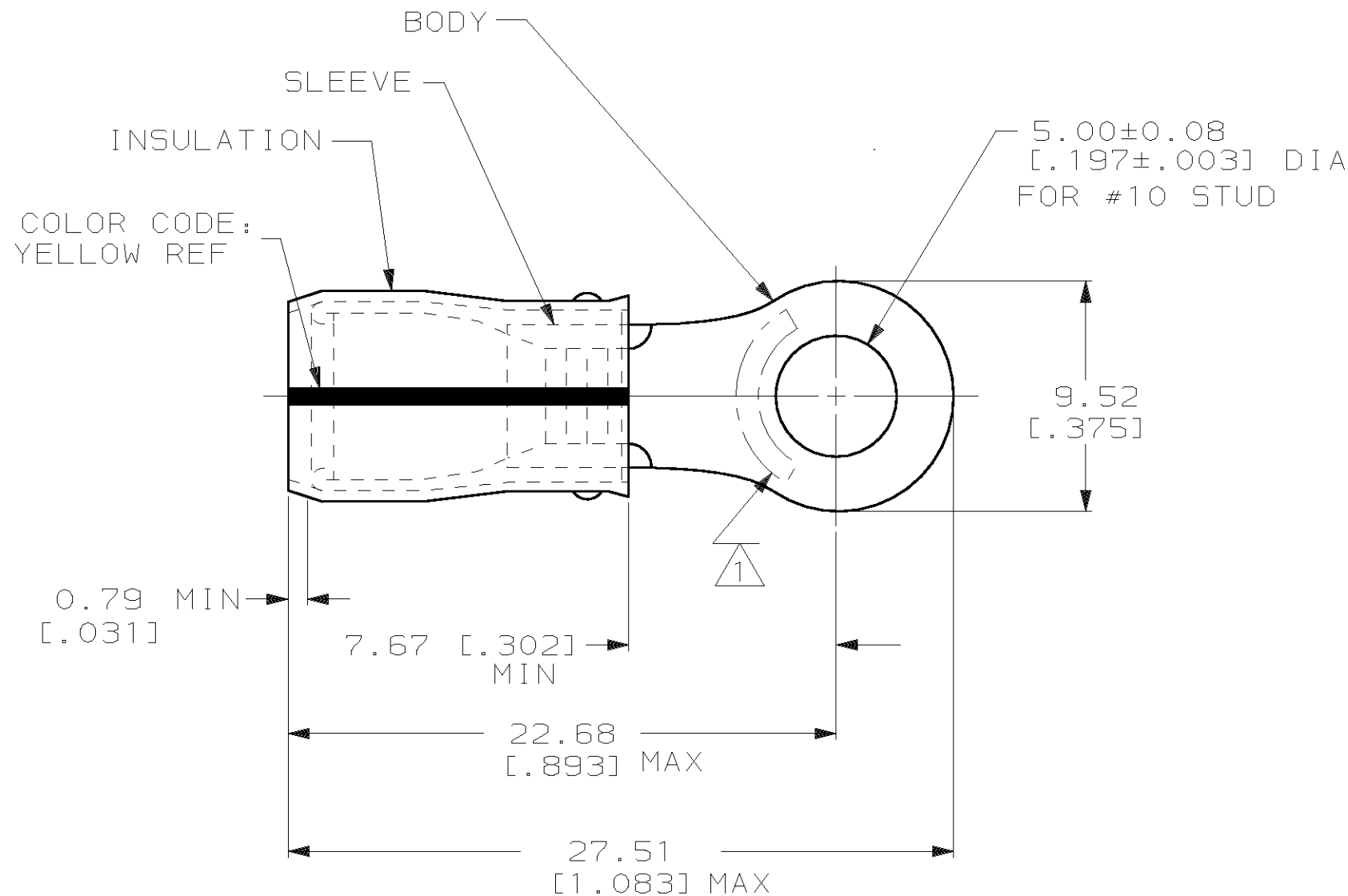


THIS DRAWING IS UNPUBLISHED. RELEASED FOR PUBLICATION, 19
 © COPYRIGHT 19 BY AMP INCORPORATED. ALL INTERNATIONAL RIGHTS RESERVED.

LOC	DIST	P	F	REVISIONS				
G	14			ZONE	LTR	DESCRIPTION	DATE	APPD
					B	REV PER 0G3A-0568-02	16SEP02	JR/TM

AMP
WIRE RANGE
12-10 AWG
STRANDED

METRIC
DIMENSIONS LISTED IN mm [INCHES]



- ① STAMP AMP 12-10* APPROX AS SHOWN
- 2 WIRE INSULATION DIA: .150-.230
- 3 TONGUE MATERIAL THK: 0.99^{±0.05} [.039^{±.002}]
- ④ PRELIMINARY - NOT FOR PRODUCTION & EXPENSIVE PART, HAND CRAFTED.

AMP INCORPORATED CUSTOMER SERVICE SYSTEMS		MAX RECOMMENDED OPERATING TEMPERATURE: 150°C MAX	500	LOOSE PIECE	④ 696244-1
FOR ADDITIONAL PRODUCT INFORMATION OR COPIES OF DRAWINGS AND TECHNICAL DOCUMENTS	PRODUCT INFORMATION CENTER 1-800-522-6752	VOLTAGE RATING: NOT APPLICABLE	QUANTITY	PACKAGE TYPE	PART NO
FOR APPLICATION TOOLING INFORMATION	TOOLING ASSISTANCE CENTER 1-800-722-1111	CIRCULAR MIL AREA: 2.62-6.64mm ² [5,180-13,100] STRANDED	DR 02JAN01 JR RUTH CHK 02JAN01 MS FEHER APPD 02JAN01 T MICHIELUTTI APPD 02JAN01 T MICHIELUTTI PRODUCT SPEC 108-11023 APPLICATION SPEC NOT AVAILABLE WEIGHT -		
FOR ORDER ENTRY	1-800-526-5142	THIS DRAWING IS A CONTROLLED DOCUMENT FOR AMP INCORPORATED. IT IS SUBJECT TO CHANGE AND THE CONTROLLING ENGINEERING ORGANIZATION SHOULD BE CONTACTED FOR THE LATEST REVISION.	AMP AMP Incorporated Harrisburg, PA 17105-3608 NAME TERMINAL, RING TONGUE, PVF ₂ , P.I.D.G. TM WIRE SIZE: 12-10 AWG SIZE B CAGE CODE 00779 DRAWING NO C-696244 SCALE 4:1 SHEET 1 OF 1		