

4

3

2

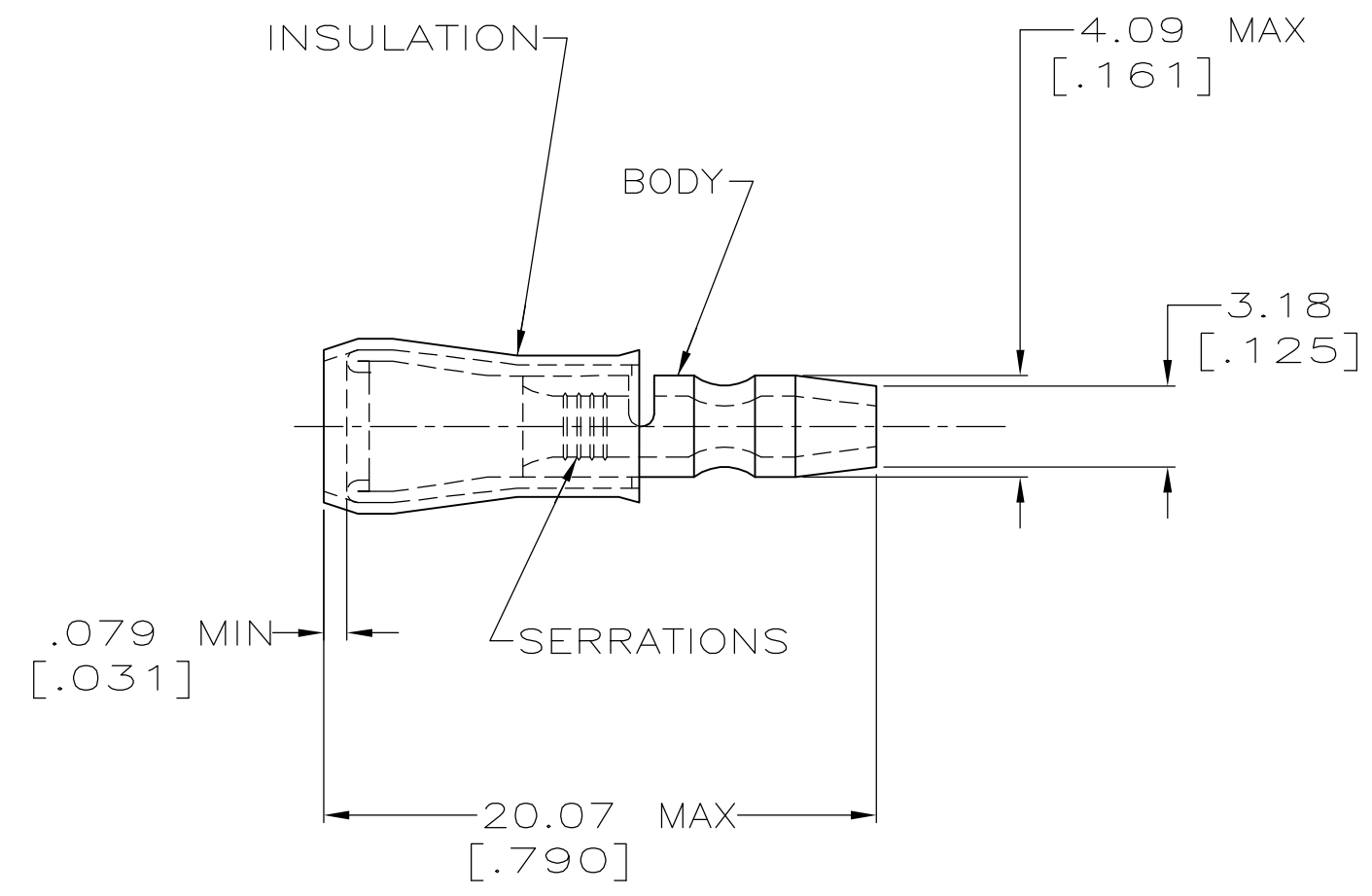
1

THIS DRAWING IS UNPUBLISHED. RELEASED FOR PUBLICATION .19 .
 © COPYRIGHT 19 BY AMP INCORPORATED. ALL RIGHTS RESERVED.

LOC	DIST	REVISIONS					
		P	LTR	DESCRIPTION	DATE	DWN	APVD
G	14		B1	REL PER ECR 05-013140	19OCT05	JR	TM

AMP
 WIRE RANGE
 16-14 AWG
 STRANDED

- 1 WIRE INSULATION DIA:
2.03-3.81mm [.080-.150].
- 2 TONGUE MATERIAL THICKNESS:
0.84mm [.033] MAX.
- △ 3 COPPER ASTM B-152
SLEEVE: WHITE TEFLON ASTM D3295
- △ 4 PRE-PRODUCTION - FASR REQ.



-	-	-
-	-	-
-	-	-
-	-	-
2500	ON TAPE	696239-2
1000	LOOSE PIECE	696239-1 △ 4
QTY	PACKAGE TYPE	PART NO

AMP INCORPORATED
 CUSTOMER SERVICE SYSTEM

FOR ADDITIONAL PRODUCT INFORMATION OR COPIES OF DRAWINGS AND TECHNICAL DOCUMENTS
 PRODUCT INFORMATION CENTER
 1-800-522-6752

FOR APPLICATION TOOLING INFORMATION
 TOOLING ASSISTANCE CENTER
 1-800-722-1111

FOR ORDER ENTRY
 1-800-526-5142

MAX RECOMMENDED OPERATING TEMPERATURE:
 288° C [550° F]

VOLTAGE RATING:
 300 V MAX

CIRCULAR MIL AREA:
 1.04mm²-2.62mm² [2050-5180]

STRANDED ONLY

THIS DRAWING IS A CONTROLLED DOCUMENT FOR AMP INCORPORATED. IT IS SUBJECT TO CHANGE AND THE CONTROLLING ENGINEERING ORGANIZATION SHOULD BE CONTACTED FOR THE LATEST REVISION.

DIMENSIONS: mm [in]

TOLERANCES UNLESS OTHERWISE SPECIFIED:

0 PLC	±-
1 PLC	±-
2 PLC	±0.13[.005]
3 PLC	±-
4 PLC	±-
ANGLES	±-

MATERIAL: △ 3

FINISH: NICKEL PLATE PER QQ-N-290

DWN: M.S. FEHER 19SEP2000
 CHK: T.J. MICHIELUTTI 19SEP2000
 APVD: T.J. MICHIELUTTI 19SEP2000

AMP Incorporated
 Harrisburg, PA 17105-3608

NAME: TERMINAL, SHUR PLUG, PIDG ,
 WIRE SIZE, 16-14 AWG

SIZE: A3 CAGE CODE: 00779 DRAWING NO: C-696239

WEIGHT: -

CUSTOMER DRAWING SCALE: 4:1 SHEET: 1 OF 1 REV: B1