

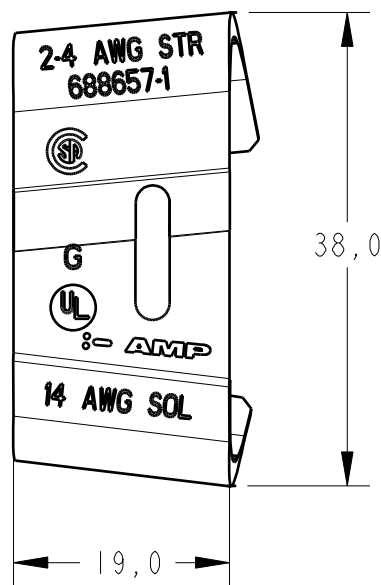
THIS DRAWING IS UNPUBLISHED.

RELEASED FOR PUBLICATION

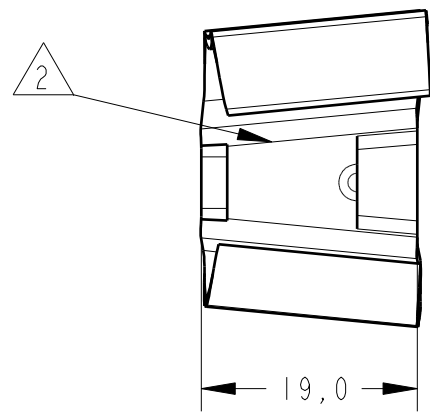
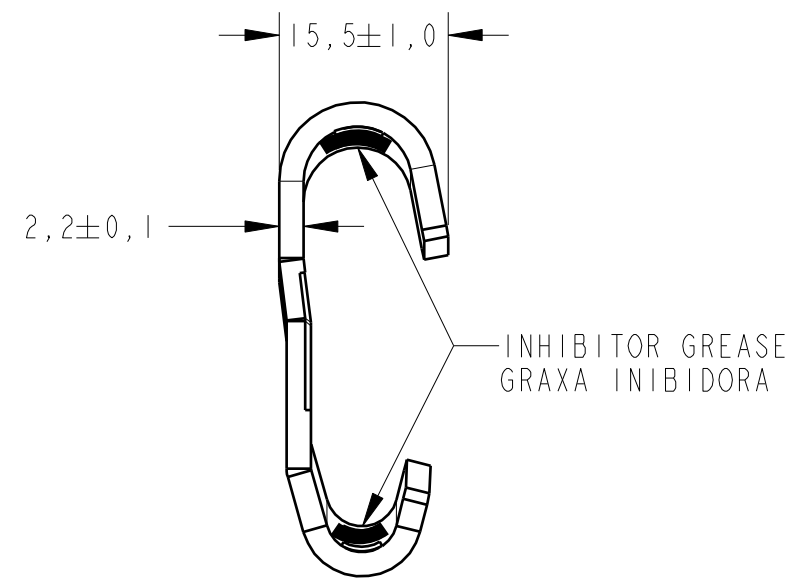
20

© COPYRIGHT 20 BY TYCO ELECTRONICS CORPORATION. ALL RIGHTS RESERVED.

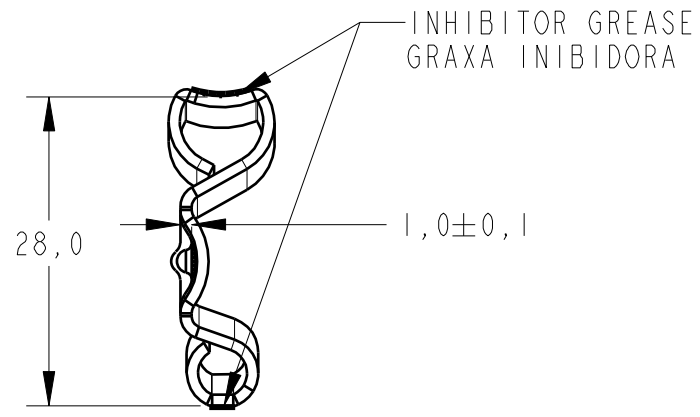
LOC	DIST	REVISIONS				
P	LTR	DESCRIPTION	DATE	DWN	APVD	
AP	-	F1	REVISED BY ECR-05-010312	28DEC2005	GO	WB
		F2	ECO-09-003259	11MAR2009	GO	WB



"C" MEMBER

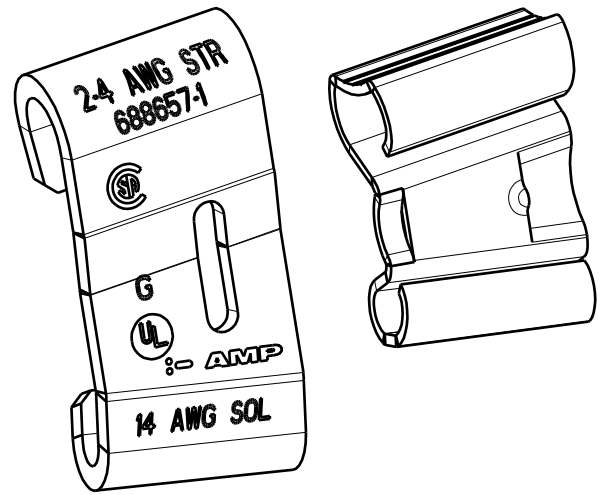


"WEDGE" MEMBER



- 1 - SUPPLIED IN INDIVIDUAL PLASTIC PACKAGING.
- △2 - STAMPED LETTER "R".
- 1 - FORNECIDO EM EMBALAGEM PLÁSTICA INDIVIDUAL.
- △2 - ESTAMPADO A LETRA "R".

9,10	7,20	8,33	5,60	1,73	1,36	ESTANHADO TIN PLATED	LIGA DE COBRE COPPER ALLOY	688657-1
MAX.	MIN.	MAX.	MIN.	MAX.	MIN.	FINISH	MATERIAL	PART NUMBER
SOMA DOS DIÂMETROS SUM		CABO PRINCIPAL TOP GROVE		CABO DERIVAÇÃO BOTTOM GROVE				
DIÂMETRO LIMITE DOS CABOS WIRE DIAMETER LIMITE								



THIS DRAWING IS A CONTROLLED DOCUMENT FOR TYCO ELECTRONICS CORPORATION. IT IS SUBJECT TO CHANGE AND THE CONTROLLING ENGINEERING ORGANIZATION SHOULD BE CONTACTED FOR THE LATEST REVISION.

DIMENSIONS: mm	TOLERANCES UNLESS OTHERWISE SPECIFIED: 0 PLC ±- 1 PLC ±1,5 2 PLC ±- 3 PLC ±- 4 PLC ±- ANGLES ±-	DWN G. OLIVEIRA 28DEC2005	TYCO ELECTRONICS do Brasil LTDA. Sao Paulo, Brasil
		CHK W. BELLINI JR. 28DEC2005	
		APVD RUY P. LEMF 28DEC2005	NAME U.D. CONNECTOR ASS'Y, TYPE "G", REINFORCED.
MATERIAL SEE TABLE	FINISH SEE TABLE	PRODUCT SPEC 108-37019	RESTRICTED TO -
		APPLICATION SPEC 411-37014	SIZE A3
		WEIGHT -	CAGE CODE 00779
		CUSTOMER DRAWING	DRAWING NO C-688657
		SCALE -	SHEET 1 OF 1
			REV F2