

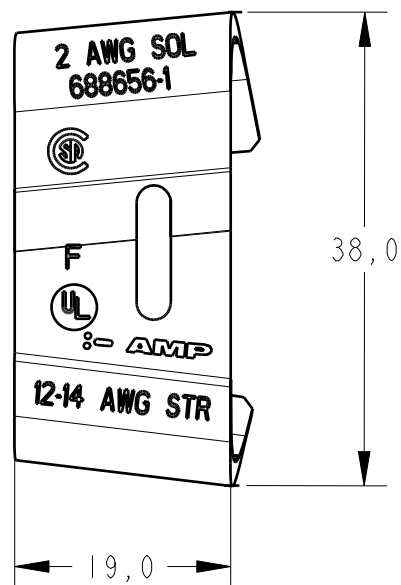
THIS DRAWING IS UNPUBLISHED.

RELEASED FOR PUBLICATION

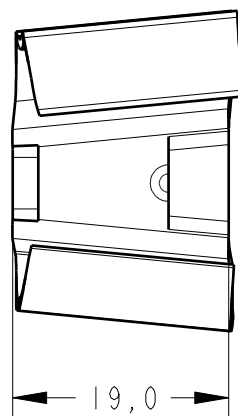
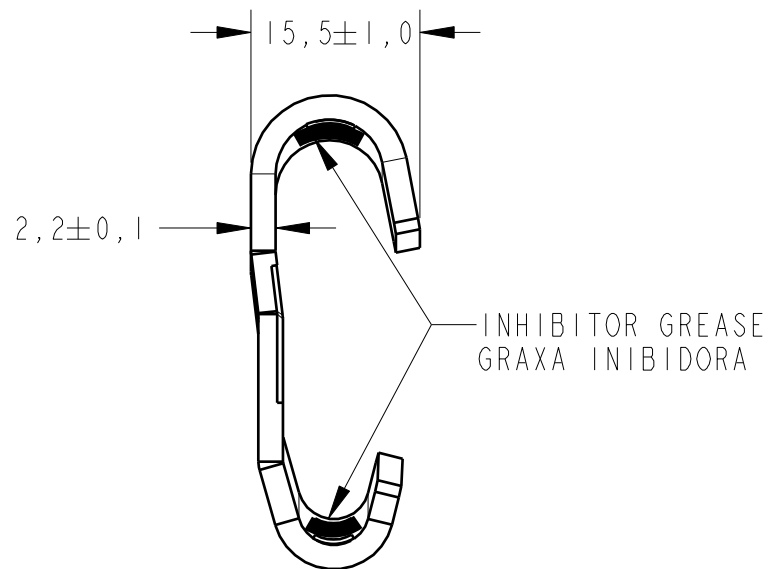
20

© COPYRIGHT 20 BY TYCO ELECTRONICS CORPORATION. ALL RIGHTS RESERVED.

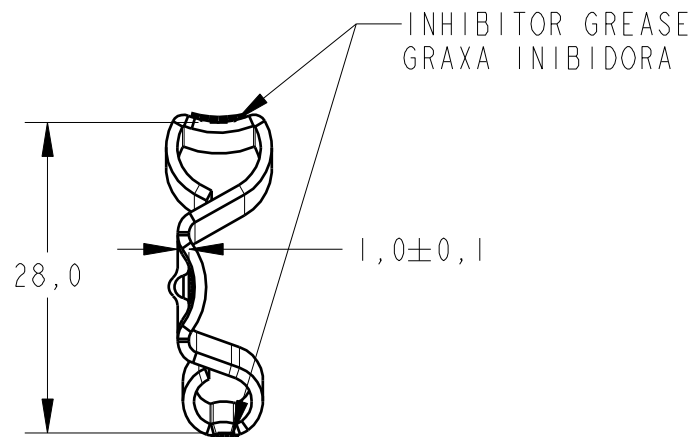
LOC	DIST	REVISIONS				
P	LTR	DESCRIPTION	DATE	DWN	APVD	
AP	-	F1	REVISED BY ECR-05-010312	28DEC2005	GO	WB
		F2	ECO-09-003259	11MAR2009	GO	WB



"C" MEMBER



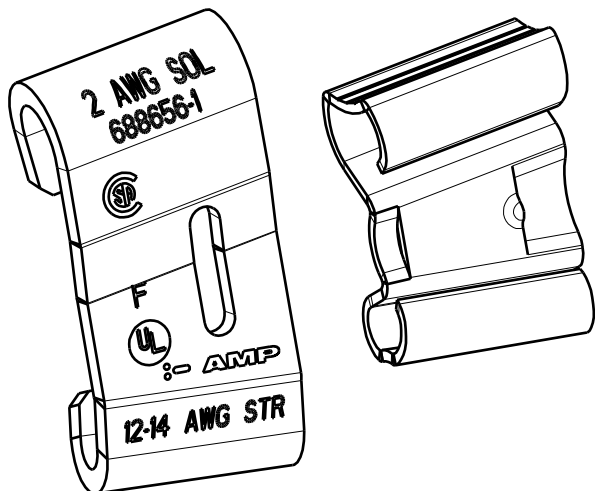
"WEDGE" MEMBER



1 - SUPPLIED IN INDIVIDUAL PLASTIC PACKAGING.

1 - FORNECIDO EM EMBALAGEM PLÁSTICA INDIVIDUAL.

9,10	7,20	8,33	5,6	5,10	1,74	ESTANHADO TIN PLATED	LIGA DE COBRE COPPER ALLOY	688656-1
MAX.	MIN.	MAX.	MIN.	MAX.	MIN.	FINISH	MATERIAL	PART NUMBER
SOMA DOS DIÂMETROS SUM		CABO PRINCIPAL TOP GROVE		CABO DERIVAÇÃO BOTTOM GROVE				
DIÂMETRO LIMITE DOS CABOS WIRE DIAMETER LIMITE								



<small>THIS DRAWING IS A CONTROLLED DOCUMENT FOR TYCO ELECTRONICS CORPORATION IT IS SUBJECT TO CHANGE AND THE CONTROLLING ENGINEERING ORGANIZATION SHOULD BE CONTACTED FOR THE LATEST REVISION.</small>		DWN 28DEC2005 G. OLIVEIRA CHK 28DEC2005 W. BELLINI JR. APVD 28DEC2005 RUY P. LEMF. PRODUCT SPEC 108-37019 APPLICATION SPEC 411-37014 WEIGHT -	Tyco Electronics TYCO ELECTRONICS do Brasil LTDA. Sao Paulo, Brasil
DIMENSIONS: mm 	TOLERANCES UNLESS OTHERWISE SPECIFIED: 0 PLC ±- 1 PLC ±1,5 2 PLC ±- 3 PLC ±- 4 PLC ±- ANGLES ±-	NAME U.D. CONNECTOR ASS'Y, TYPE F, REINFORCED.	RESTRICTED TO -
MATERIAL SEE TABLE	FINISH SEE TABLE	SIZE A3 CAGE CODE 00779 DRAWING NO ©=688656	SCALE - SHEET 1 OF 1 REV F2
CUSTOMER DRAWING			