

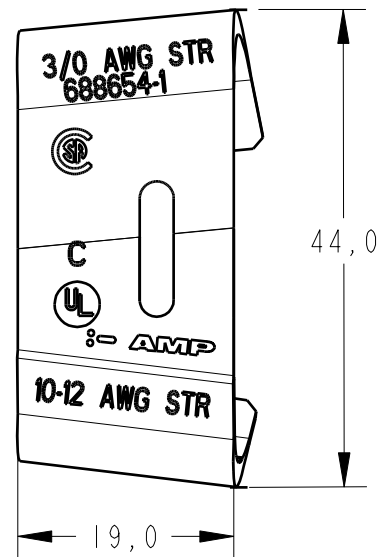
THIS DRAWING IS UNPUBLISHED.

RELEASED FOR PUBLICATION

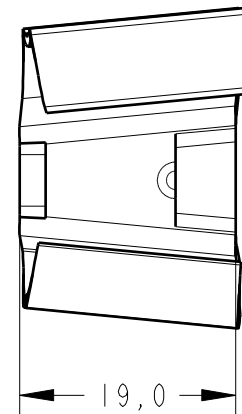
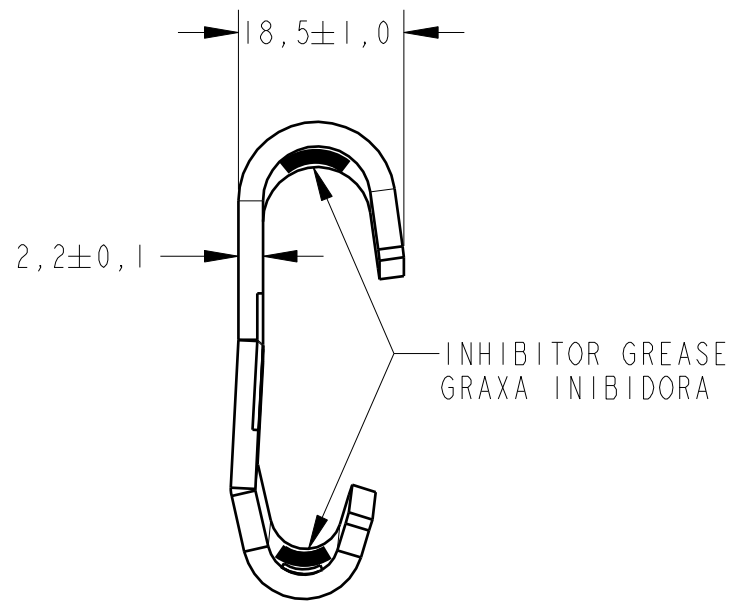
20

© COPYRIGHT 20 BY TYCO ELECTRONICS CORPORATION. ALL RIGHTS RESERVED.

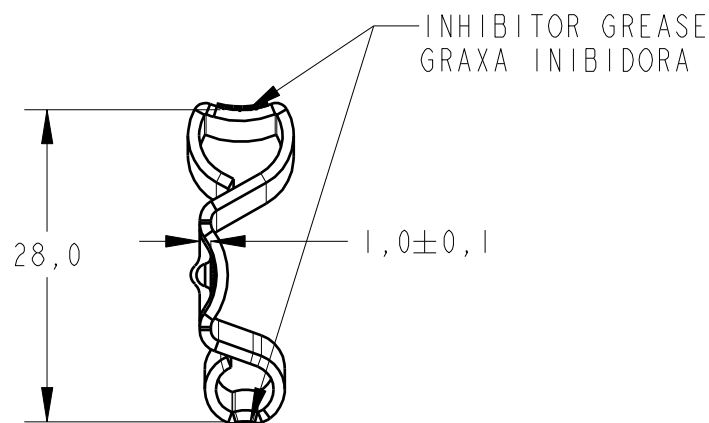
LOC	DIST	REVISIONS				
P	LTR	DESCRIPTION	DATE	DWN	APVD	
AP	-	F1	REVISED BY ECR-05-010312	28DEC2005	GO	WB
		F2	ECO-09-003259	11MAR2009	GO	WB



"C" MEMBER



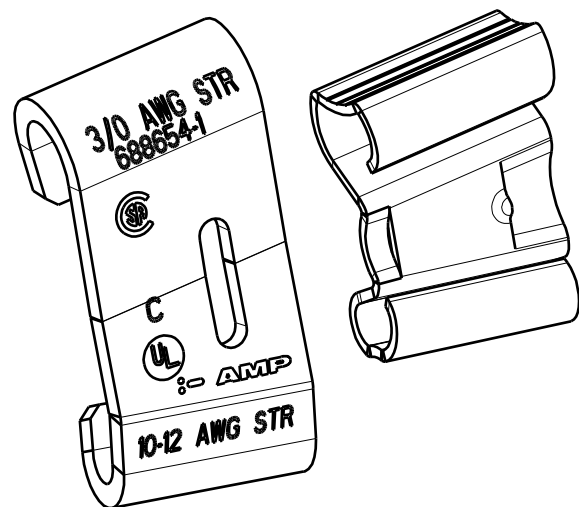
"WEDGE" MEMBER



1 - SUPPLIED IN INDIVIDUAL PLASTIC PACKAGING

1 - FORNECIDO EM EMBALAGEM PLASTICA INDIVIDUAL.

14,75	13,11	12,74	8,20	5,10	1,74	ESTANHADO TIN PLATED	LIGA DE COBRE COPPER ALLOY	688654-1
MAX.	MIN.	MAX.	MIN.	MAX.	MIN.	FINISH	MATERIAL	PART NUMBER
SOMA DOS DIÂMETROS SUM		CABO PRINCIPAL TOP GROVE		CABO DERIVAÇÃO BOTTOM GROVE				
DIÂMETRO LIMITE DOS CABOS WIRE DIAMETER LIMITE								



<small>THIS DRAWING IS A CONTROLLED DOCUMENT FOR TYCO ELECTRONICS CORPORATION IT IS SUBJECT TO CHANGE AND THE CONTROLLING ENGINEERING ORGANIZATION SHOULD BE CONTACTED FOR THE LATEST REVISION.</small>		DWN G. OLIVEIRA 28DEC2005	TYCO ELECTRONICS do Brasil LTDA. Sao Paulo, Brasil	
DIMENSIONS: mm 		CHK W. BELLINI JR. 28DEC2005	NAME U.D. CONNECTOR ASS'Y TYPE C, REINFORCED.	
TOLERANCES UNLESS OTHERWISE SPECIFIED: 0 PLC ±- 1 PLC ±1,5 2 PLC ±- 3 PLC ±- 4 PLC ±- ANGLES ±-		APVD RUY P. LEMF 28DEC2005	DRAWING NO C-688654	
MATERIAL SEE TABLE	FINISH SEE TABLE	PRODUCT SPEC 108-37019	SIZE A3	RESTRICTED TO -
		APPLICATION SPEC 411-37014	CAGE CODE 00779	REV F2
		WEIGHT -	DRAWING NO C-688654	
CUSTOMER DRAWING			SCALE -	SHEET 1 OF 1