

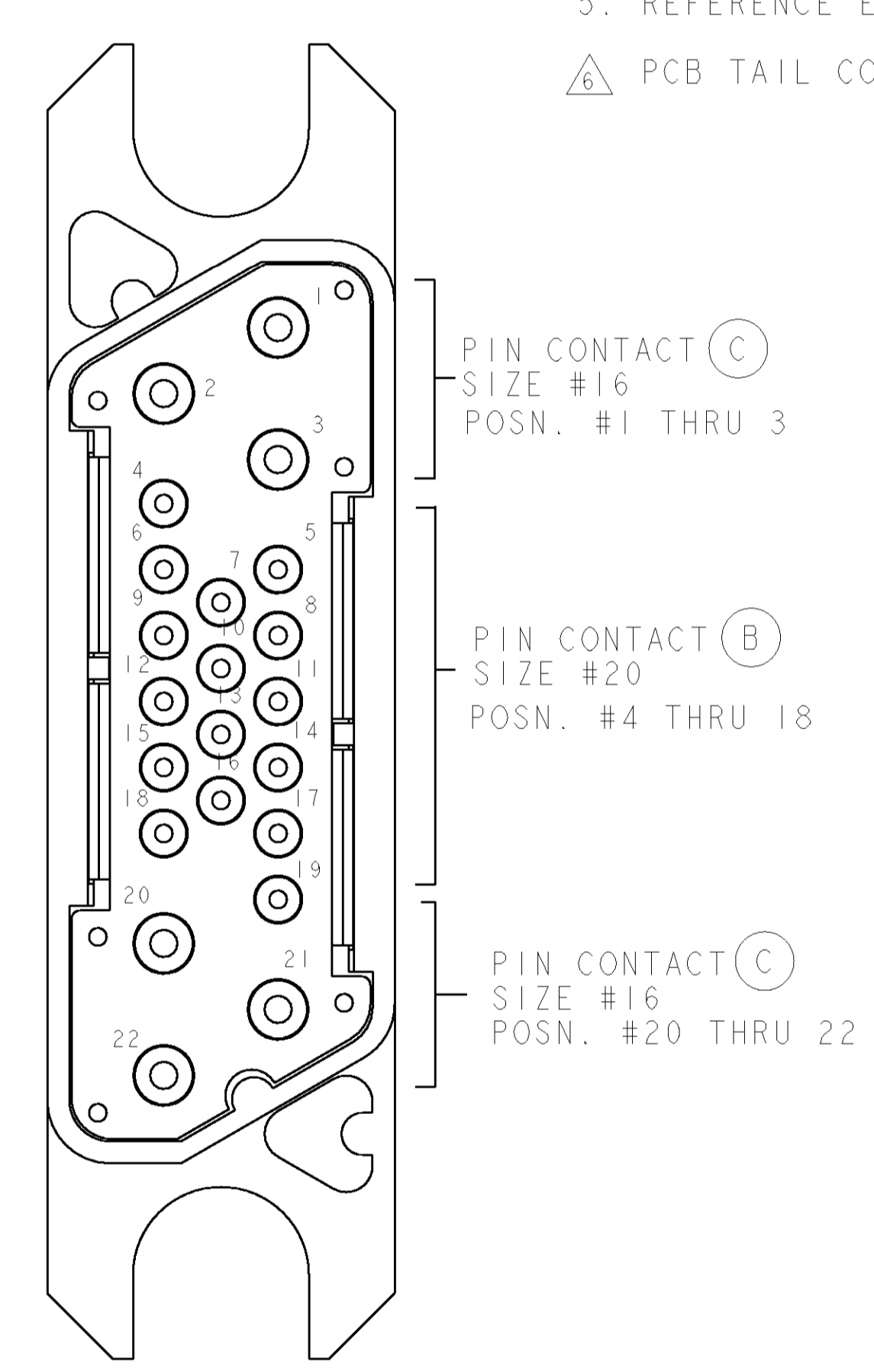
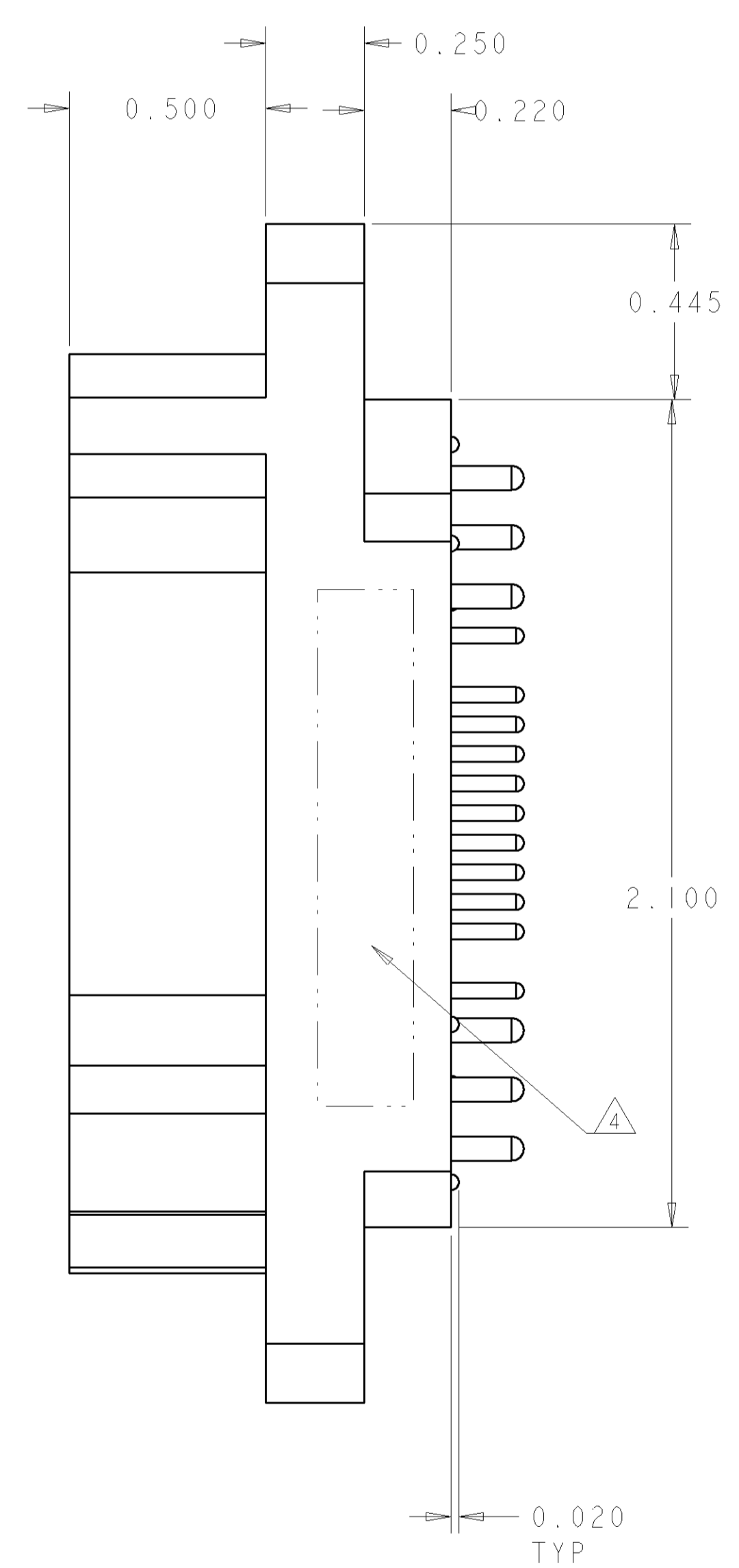
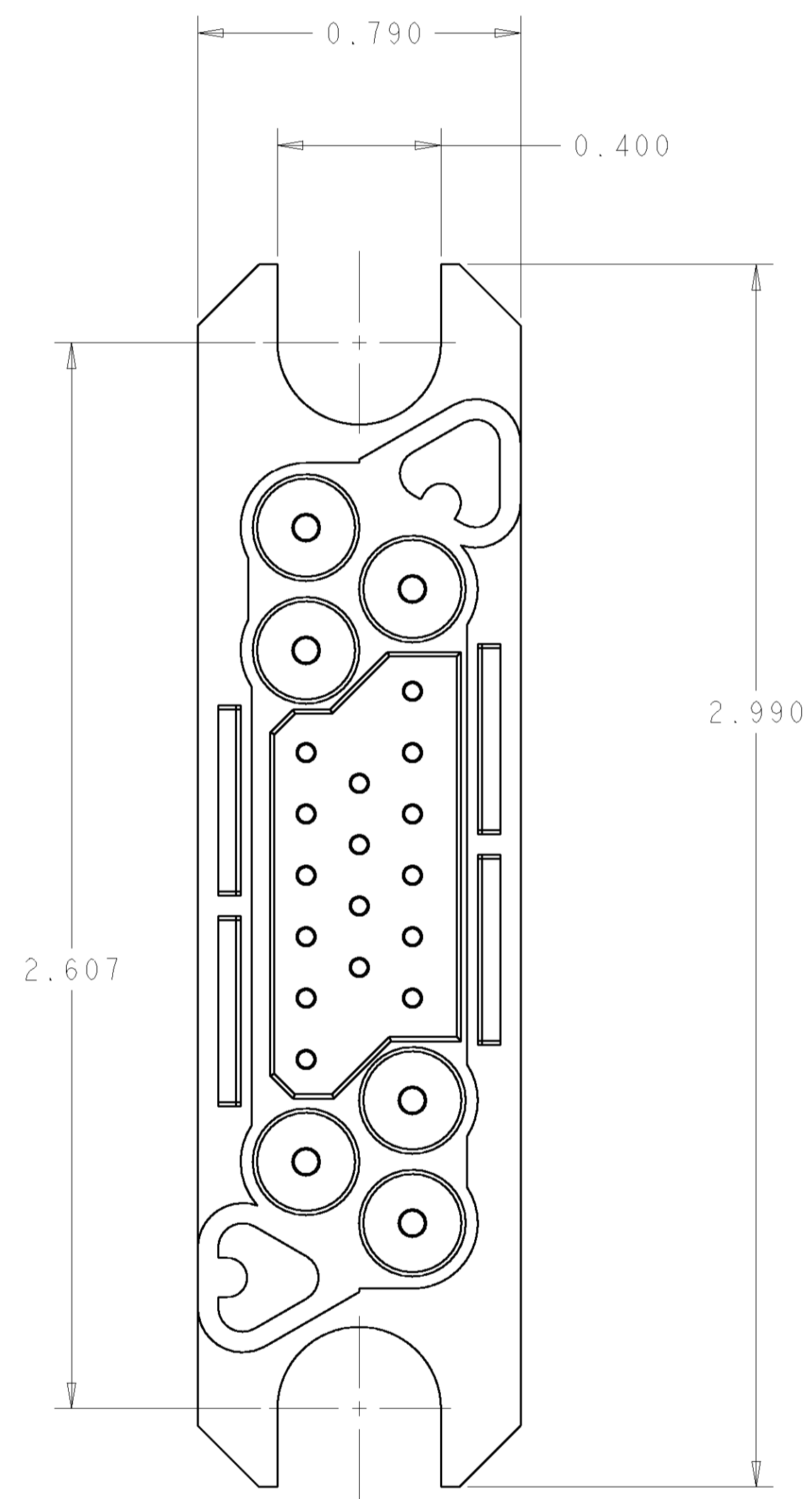
LOC		DIST		REVISIONS			
GP	00	P	LTR	DESCRIPTION	DATE	DWN	APVD
		A		RELEASED	13JUN2006	RG	PD

- PART NUMBER CHANGES AND OR DESIGN CHANGES AFFECTING THE INTERCHANGEABILITY REQUIRE PRIOR TYCO APPROVAL AND AUTHORIZATION BY REVISION TO THIS DRAWING.
- MATERIAL:
 INSULATOR: THERMOPLASTIC, GLASS REINFORCED, UL 94V-0
 FLAMMABILITY RATED, COLOR: BLACK
 CONTACT: BRASS ROD ALLOY
 CROWN BAND: BERYLLIUM COPPER
 RETENTION CLIP: BERYLLIUM COPPER
- FINISH:
 CONTACTS SIZE #16 : SILVER .000200 MIN. THK. OVER NICKEL .000040 MIN THK.
 CONTACTS SIZE #20 : GOLD .000030 MIN. THK. OVER NICKEL .000040 MIN THK.
 CROWN BAND: GOLD (IN CONTACT AREA).000030 MIN. THK. OVER NICKEL .000040 MIN THK.

△ ITEMS PROVIDED TO THIS SPECIFICATION TO BE PERMANENTLY IDENTIFIED PER THE FOLLOWING IDENTIFIER:

TYCO PART NUMBER: XXXXXXXX-X
 DATE CODE (e.g. 0216): YEAR WEEK
 XXXX

- REFERENCE ELCON SERIES PN: 222-0091-10100
- PCB TAIL CONTACTS ARE INSERABLE/ NON-REMOVABLE



REAR VIEW

PIN CONTACT (C)
 SIZE #16
 POSN. #1 THRU 3

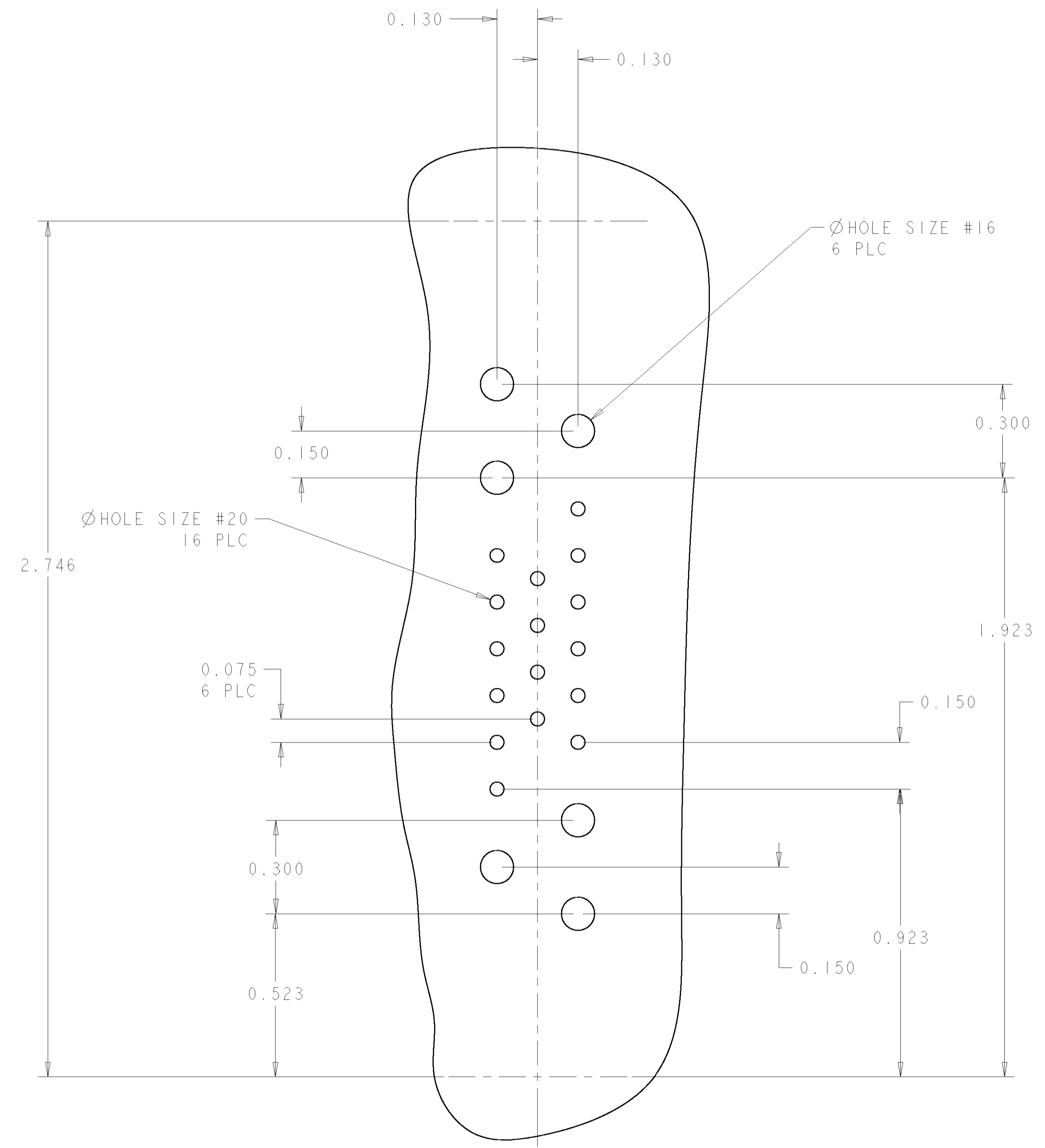
PIN CONTACT (B)
 SIZE #20
 POSN. #4 THRU 18

PIN CONTACT (C)
 SIZE #16
 POSN. #20 THRU 22

DIMENSIONS:		TOLERANCES UNLESS OTHERWISE SPECIFIED:		DWN: R. GRZYBOWSKI 13JUN2006		Tyco Electronics	
INCHES:		0 PLC ±		CHK: P. DAMATO 13JUN06		Harrisburg, PA 17105-3608	
Ø		1 PLC ±.02		APVD: S. FLICKINGER 13JUN2006		NAME: CONNECTOR ASSEMBLY, PIN WITH PCB TAILS	
□		2 PLC ±.02		PRODUCT SPEC:		SIZE: CAGE CODE: DRAWING NO: RESTRICTED TO:	
∠		3 PLC ±.010		APPLICATION SPEC:		A100779C=6766649	
-		4 PLC ±		WEIGHT:		SCALE: 3:1 SHEET 1 OF 2 REV A	
-		ANGLES ±.5		FINISH:		CUSTOMER DRAWING	
-		FINISH:		MATERIAL:			

AS SHOWN	6766649-1
DESCRIPTION	PART NUMBER

LOC	DIST	REVISIONS			
P	LTR	DESCRIPTION	DATE	DRN	APVD
-	-	SEE SHEET 1	-	-	-



PRINTED CIRCUIT BOARD LAYOUT

HOLE SIZE #16
 FINISHED HOLE: $\varnothing.070 \pm .003$
 DRILLED HOLE: $\varnothing.0765 \pm .0005$
 COPPER PLATE: .0010 - .0020
 TIN PLATE: .0002 MIN THK.

HOLE SIZE #20
 FINISHED HOLE: $\varnothing.047 \pm .003$
 DRILLED HOLE: $\varnothing.0453 \pm .0005$
 COPPER PLATE: .0010 - .0020
 TIN PLATE: .0002 MIN THK.

6	1766222-1	CONTACT, PIN, SIZE #16, PCB TAIL	C
16	1650283-1	CONTACT, PIN, SIZE #20, PCB TAIL	B
1	1648111-2	HOUSING, SOCKET, PCB MOUNT	A
-1	PART NUMBER	DESCRIPTION	ITEM

DIMENSIONS: INCHES		TOLERANCES UNLESS OTHERWISE SPECIFIED: 0 PLC ± 1 PLC ±.02 2 PLC ±.010 3 PLC ±.010 4 PLC ± ANGLES ±.5 FINISH		DRN: R. GRZYBOWSKI 13JUN06 CHK: P. DAMATO 13JUN06 APVD: S. FLICKINGER 13JUN06		Tyco Electronics Harrisburg, PA 17105-3608	
MATERIAL: - FINISH: -		WEIGHT: - CUSTOMER DRAWING		NAME: CONNECTOR ASSEMBLY, PIN WITH PCB TAILS PRODUCT SPEC: - APPLICATION SPEC: -		SIZE: A 00779 C=6766649 SCALE: 3:1 SHEET 2 OF 2 REV A	