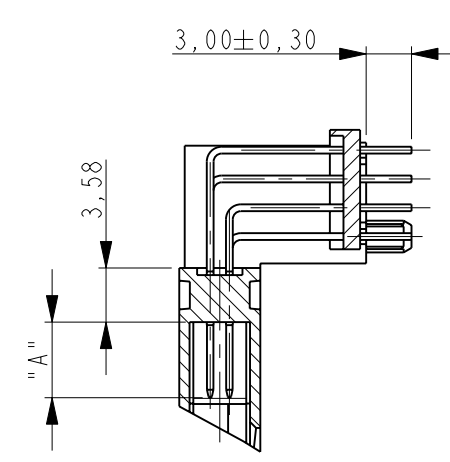
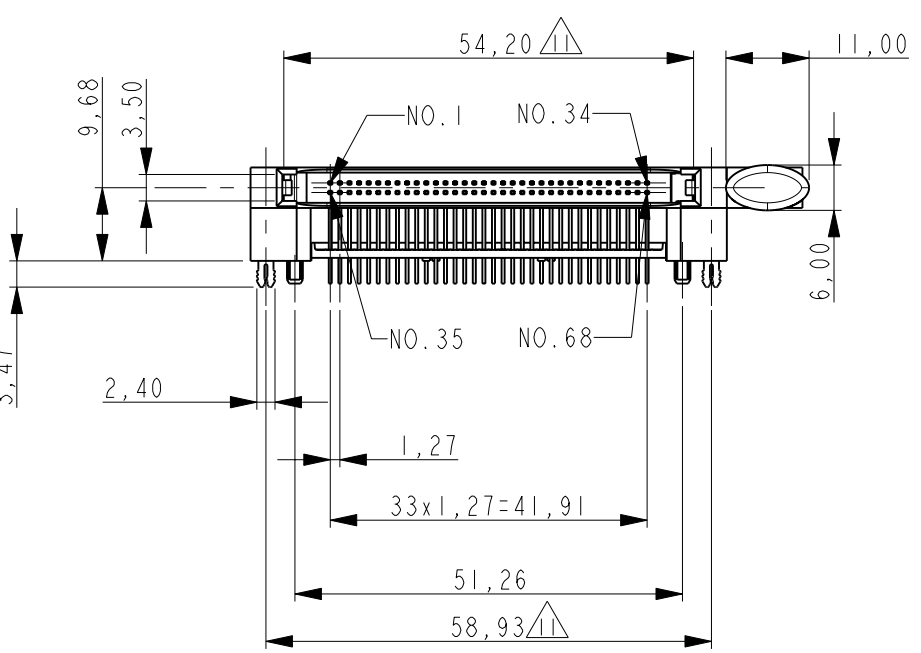
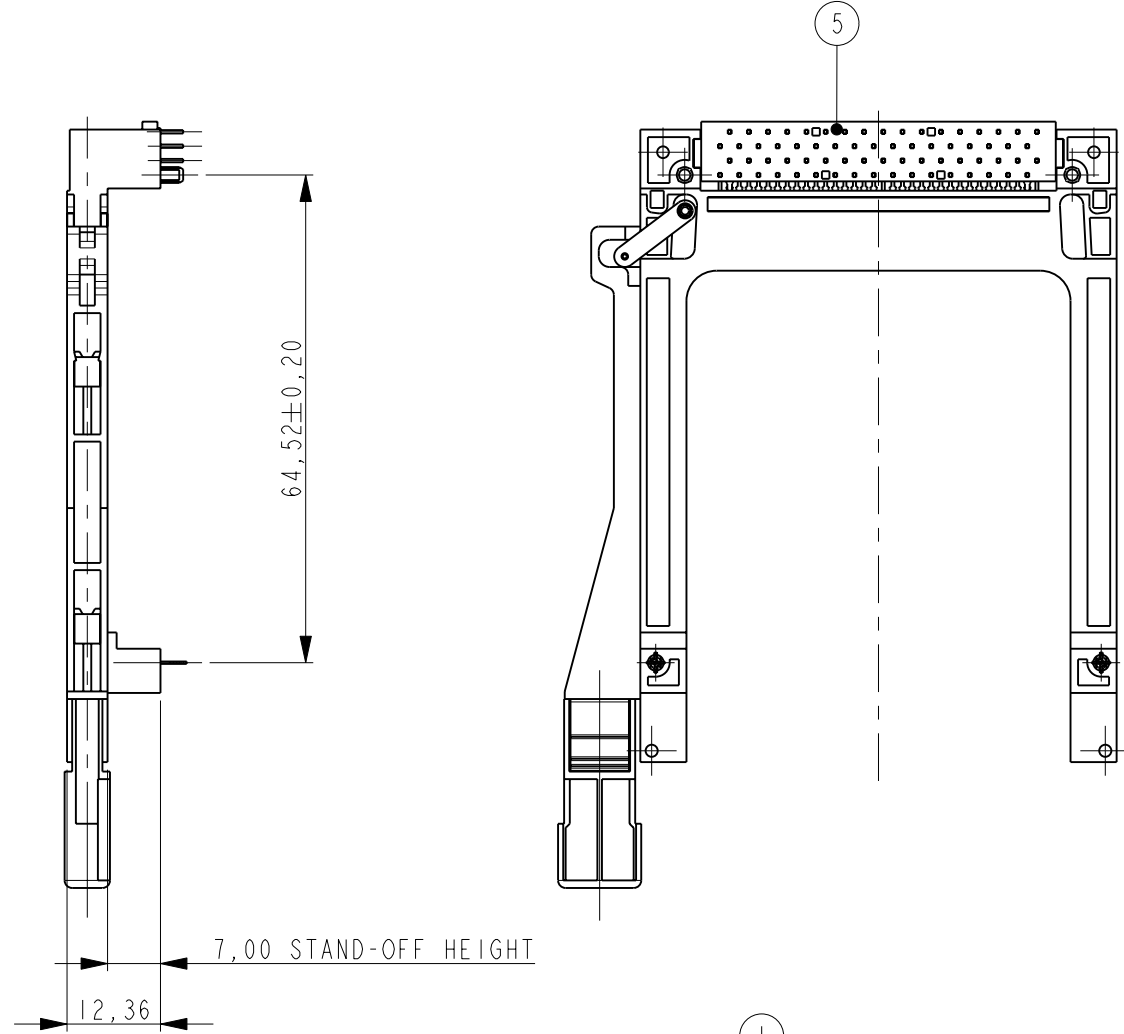
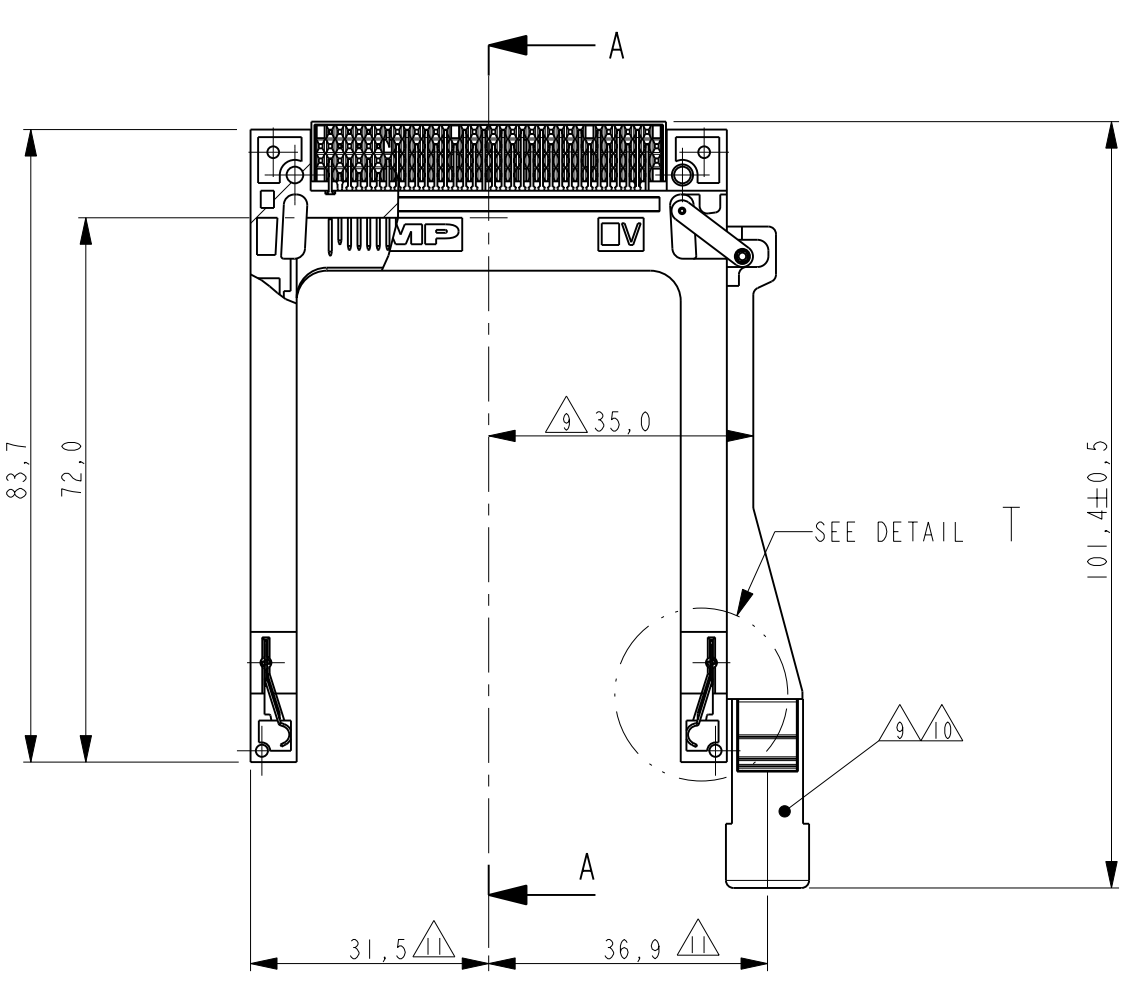
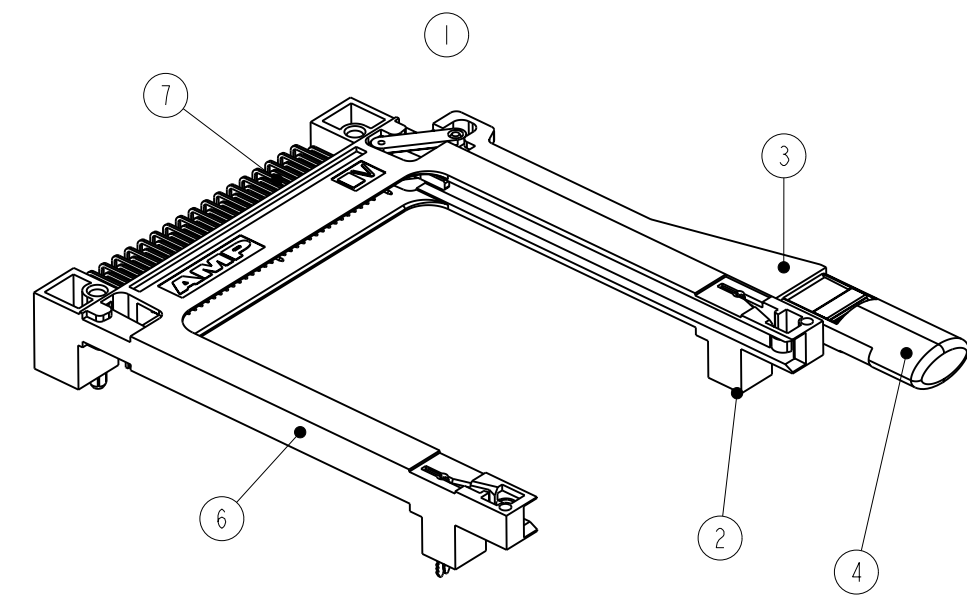


THIS DRAWING IS UNPUBLISHED. RELEASED FOR PUBLICATION
 © COPYRIGHT copyright_date ALL RIGHTS RESERVED.

LOC		DIST		REVISIONS			
P	LTR	DESCRIPTION	DATE	DWN	APVD		
	A2	ECR-11-010161	16MAY2011	GG	RRP		



SECTION A-A
SCALE 2:1



NOTES/SPECIFICATION:

- HEADER ACCEPTS TYPES I, II, & III OF PCMCIA STANDARD MEMORY CARD
- MECHANICAL SPECIFICATION:
 - DURABILITY
 - OFFICE ENVIRONMENT: 10000 CYCLES MINIMUM
 - HARSH ENVIRONMENT: 5000 CYCLES
 - CONTACT RETENTION FORCE: 1Kg MINIMUM
- ELECTRICAL SPECIFICATION:
 - CONTACT RESISTANCE: 40 MILLI OHMS MAX.
 - DIELECTRIC WITHSTANDING VOLTAGE: 500 Vrms FOR 1min.
 - INSULATION RESISTANCE: 1000 MEGA OHMS MIN.
 - CURRENT CAPACITY: 0,5 AMPS PER PIN.
- ENVIRONMENTAL SPECIFICATIONS:
 - STORAGE ENVIRONMENT: -40°C TO +70°C, 95% MAX. RELATIVE HUMIDITY (NON CONDENSING)
 - OPERATION TEMPERATURE: -20°C TO +60°C, 95% MAX. RELATIVE HUMIDITY (NON CONDENSING)
 - THERMAL SHOCK: 6 CYCLES (1 CYCLE PER HOUR) WITH CONNECTOR ENGAGED WITH EXTREMES OF -55°C TO +70°C.

5 LENGTH OF CONTACTS:

DIM "A"	POSITION No.
5	1, 17, 34, 35, 51, 68
3.5	36, 67
4.25	THE OTHERS

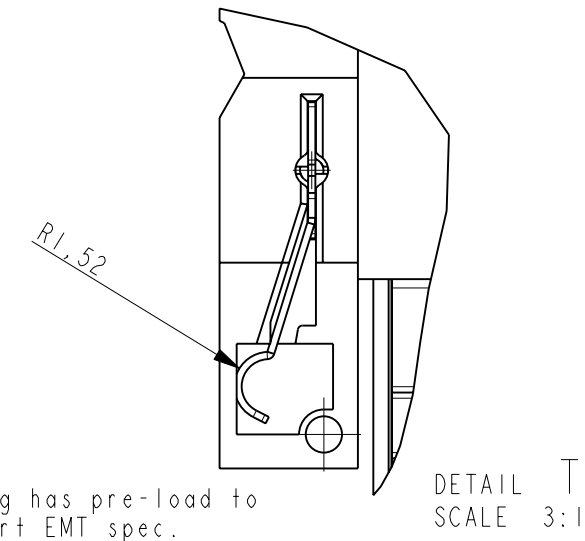
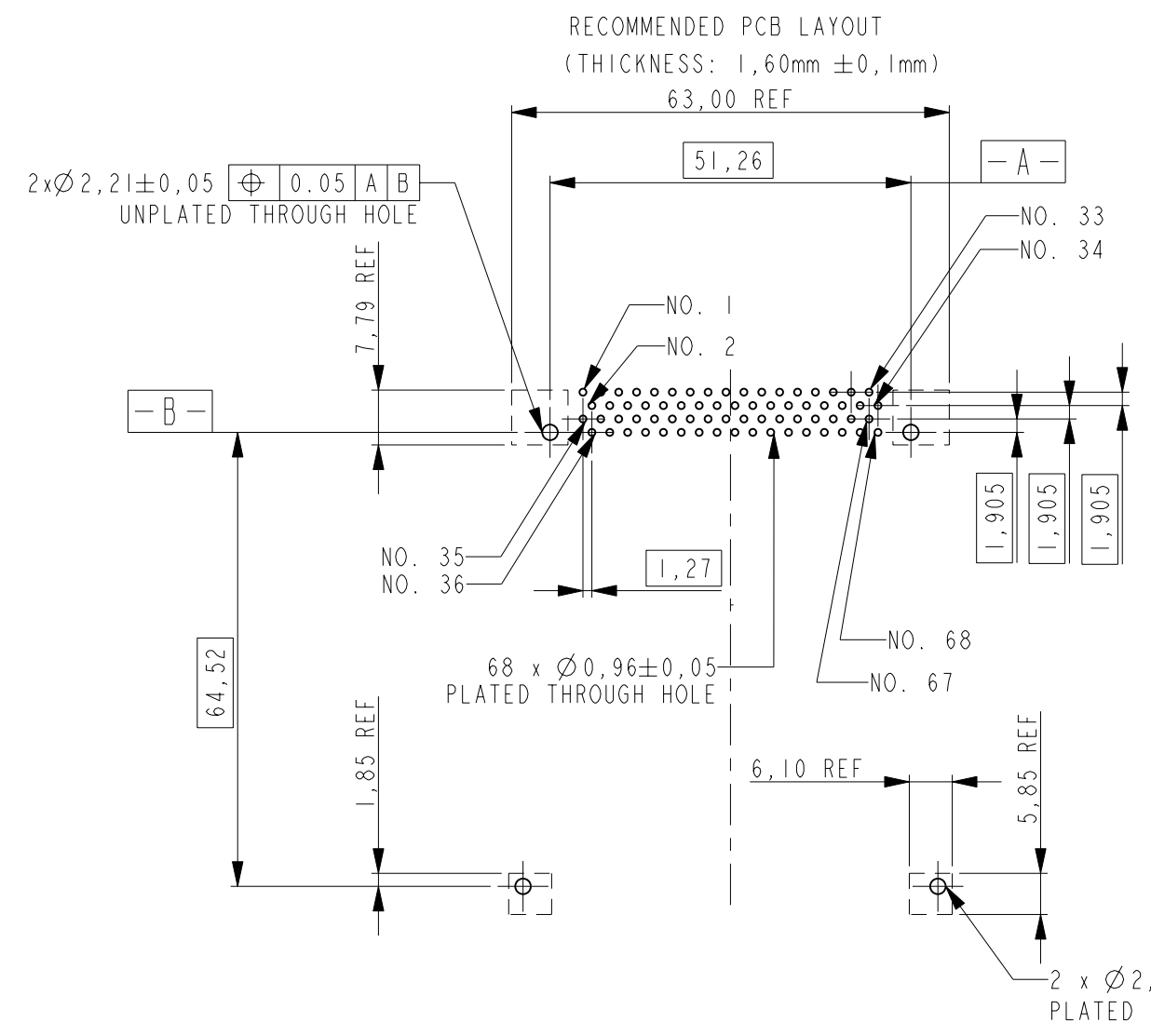
6 PLATING OF CONTACT: Ni : 1,5µm MIN. (OVERALL)
 Au : 0,2µm MIN. (CARD SIDE)
 TIN: 2µm MIN. (PCB SIDE)

7 -
 8 -
 9 BUTTON TRAVEL LENGTH IS 5mm
 10 PUSH BUTTON ASSEMBLED

MEASURING METHOD: MEASURE THESE DIMENSION, BY FIXING THE CONNECTOR TO THE STANDARD GAUGE.

CONNECTOR TO PRINTED CIRCUIT BOARD ASSEMBLY:

- PLACE THE CONNECTOR ON THE PRINTED CIRCUIT BOARD. THE SOLDER TAILS, RETENT CLIPS & PLASTIC LEGS SHOULD BE SEATED IN THE RESPECTIVE HOLES
- PUSH FIRMLY DOWN ON CENTER OF PLASTIC LEGS THEN SOLDER RETENTS. A SLIGHT SNAP IS FELT WHEN THE CONTACT IS FULLY SEATED.
- SOLDER PROCESS ENTIRE PRINTED CIRCUIT BOARD ASSEMBLY



Spring has pre-load to support EMT spec.

DETAIL T
SCALE 3:1

VOLTAGE IDENTIFICATION	PARTNUMBER	HEADER TYPE
5V	0-6705453-1	HEADER WITH RIGHT EJECTOR

ITEM NO	QTY	DESCRIPTION	MATERIAL	FINISH
7	68	CONTACT	COPPER ALLOY	6
6	1	HOUSING	THERMOPLASTIC UL 94 VO	COLOR: BLACK
5	1	ORGANISER	THERMOPLASTIC UL 94 VO	COLOR: BLACK
4	1	PUSH BUTTON	THERMOPLASTIC UL 94 VO	COLOR: GREY
3	1	ARM BAR	THERMOPLASTIC UL 94 VO	COLOR: BLACK
2	1	GROUND CONTACT	PHOSPHOR BRONZE	TIN: 2µm MIN
1	1	CAM	THERMOPLASTIC UL 94 VO	COLOR: BLACK

THIS DRAWING IS A CONTROLLED DOCUMENT. DWN R.Coolen 08DEC04
 CHK P.Willems
 APVD J.Broeksteeg
 PRODUCT SPEC 108-19201
 APPLICATION SPEC

STE TE Connectivity

NAME: PC CARD HEADER HIGH RAISED (7mm) RIGHT EJECTOR SHORT PUSH BUTTON

SIZE	CAGE CODE	DRAWING NO	RESTRICTED TO
A2	00779	6705453	-

CUSTOMER DRAWING SCALE: 1:1 SHEET 1 OF 1 REV A2